

Omniplate 2510 is a premium dry-sealed barrier wall system with panel faces made from solid metal plate with no exposed sealants or gaskets. These plate faces are structurally attached to extruded aluminum perimeter framing comprising the panels' interlocking horizontal joinery. Best suited for horizontally oriented wall design, the vertical gutters capture the drainage from the horizontal joints and shed water to exterior base.

2510 is ideal for flat or curved walls and soffits where the design intent is for pronounced reveals between the panel units and extremely sharp panel edges. Panel frame is exposed as a design element with a deep reveal in matching or contrasting colors.

The system installs with concealed fasteners over studs and continuous sheathing, continuous masonry, or concrete. The panel frame is extremely stiff due to the interlocking components of the assembly, and tested to high wind loads.



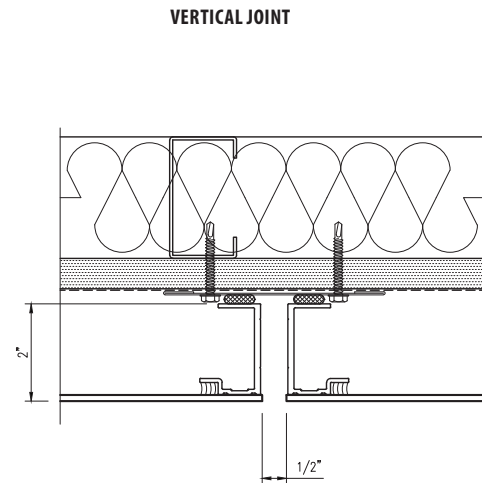
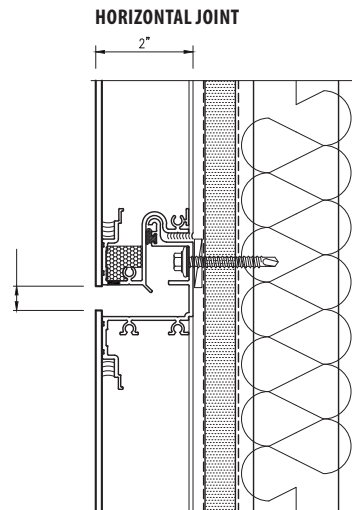
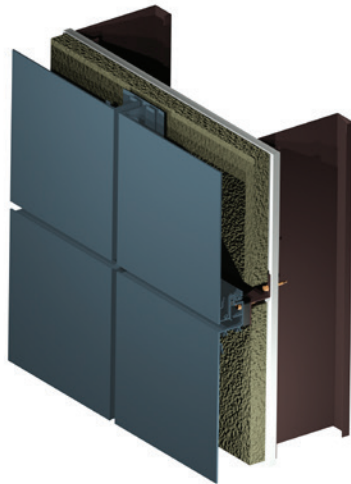
DETAILS

- Manufactured from solid aluminum or stainless plate with extruded aluminum framing
- Consult with Metalwërks for zinc plate options
- Solid aluminum and stainless steel: high resistance to denting and puncturing, ideal for high-traffic or abusive areas
- Factory mitered corners
- 0.5" (12.7 mm) standard horizontal and vertical joint with variable options
- Integrated reveals in matching or contrasting finish
- Adjustable furring to address variable construction tolerances
- Concealed horizontal gutters that weep moisture to the exterior through baffled weep holes
- Non-Combustible: minimal smoke or fuel contribution
- Avoids NFPA 285 complications by avoiding thermo-plastic cores
- Horizontally oriented wall design
- All panel systems are reinforced/stiffened to resist deflection limits
- Concealed fastened using corrosion-resistant self-tapping screws into an engineered screw pocket with integrated drip edge

- Aluminum: post-applied finishing for longterm performance and uniform aesthetic
- 100% recyclable with high percentage of post-consumer and industrial content, which may contribute to LEED credits

DESIGN OPTIONS

- Panels may be flat or curved
- Variable reveals: Horizontal 0.5" - 2" (12.7 mm - 50.8 mm); Vertical 0.25" - 6" (6.35 mm - 152.4 mm)
- Unlimited color options for aluminum plate
- Options for #4, #6, #8, and non-directional finishes for stainless plate
- Optional secondary color for panel framing and reveals
- Matching perforated and louvered panels
- Projecting eyebrows with integrated framing can be included
- Available shop-applied appliqués for accents
- Enclosures for exposed columns, beams or pilaster features can be clad using the same material and finishes and joint treatments to achieve matching aesthetics



METAL SUBSTRATE AND FINISH OPTIONS

ALUMINUM

3003-H14 aluminum alloy-temper

Thickness: 0.125" (3.18 mm) standard, 0.188" (4.78 mm), 0.25" (6.35 mm) options

Finishes: Kynar®, architectural TGIC Polyester powder coating, or anodized

STAINLESS STEEL

T304 or T316 for enhanced corrosion resistance

Thickness: 11 gauge (0.125") (3.18 mm) standard, 14 gauge (0.078") (1.98 mm), 12 gauge (0.101") (2.78 mm), 8 gauge (0.172") (4.37 mm), 7 gauge (0.188") (4.78 mm) options

Finishes: #4, #6, #8, and non-directional satin in smooth or custom embossed patterns

ZINC

Please consult with Metalwërks

Zinc is a natural metal which has specific properties that will limit its use. It must be adequately drained, ventilated and weeped when used in exterior applications to prevent excessive corrosion. Please consult Metalwërks for the appropriate uses for your project design.

PANEL SIZES

Widths: 12" (305 mm) to 72" (1,829 mm)*

Lengths: 12" (305 mm) to 240" (6,096 mm)*

Depth: 2.25" (57.15 mm)

* Maximum panel size depends upon plate material, gauge, finish, and geometry

PANEL WEIGHT RANGE

(dependent upon gauge and geometry)

Aluminum: 2.22 - 4.42 lbs./ft²

Stainless Steel: 6.32 lbs./ft²

Zinc: Consult with Metalwërks

Ranges provided for clarification. Consult with Metalwërks for further options

ACCESSORIES

Flashing: Formed aluminum or stainless steel sheet metal flashing which may be required at base or penetration conditions produced in the same material finish as the panel system

Coping: Wall copings may be produced with the same material as the wall panel system unless otherwise noted

Furring Channels: As required for proper mounting of panels in 16 ga. minimum thickness

Perforated Panels or Louvered Vents: For accents, screening or ventilation. Consult with Metalwërks for options

Fasteners: Type 304 Stainless Steel or Cadmium plated as recommended for specific application

Shims: High impact thermally-broken plastic shims to maintain co-planar surfaces

TESTING

Air Infiltration: When tested in accordance with ASTM E 283-04

Water Infiltration: No water infiltration shall occur when tested in accordance with ASTM E 331-00 and AAMA 501.1-05 (Static and Dynamic Pressure Water Resistance)

Structural: When tested in accordance with ASTM E330-02

AAMA 2605-13: *Voluntary Specification, Performance Requirements and Test Procedures for Superior Performing Organic Coatings on Aluminum Extrusions and Panels*

WARRANTY

Material & Workmanship: 1-year standard, with 2- or 5-year options

Finish Integrity: 10-year standard and up to 20-year for coated aluminum

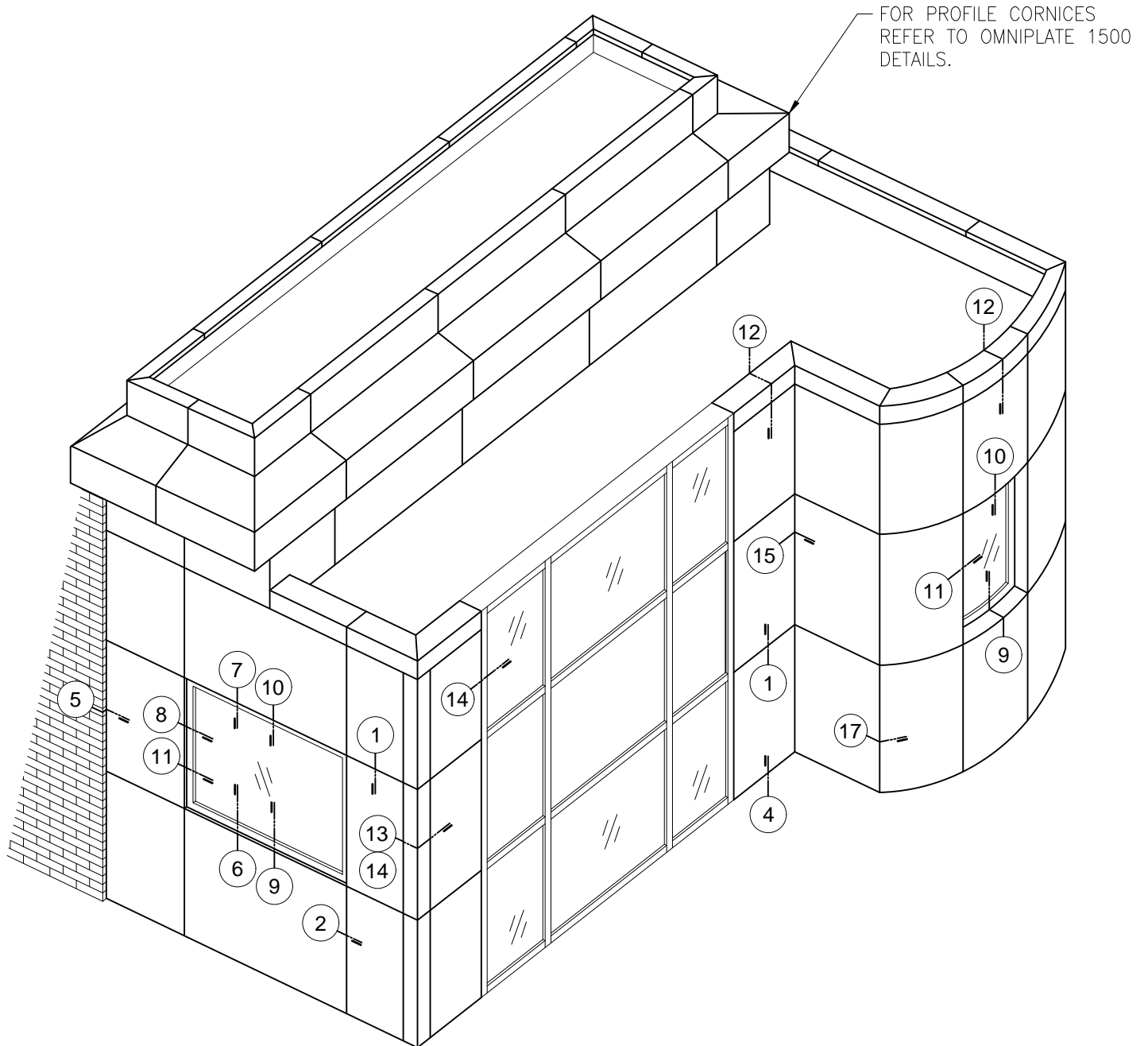
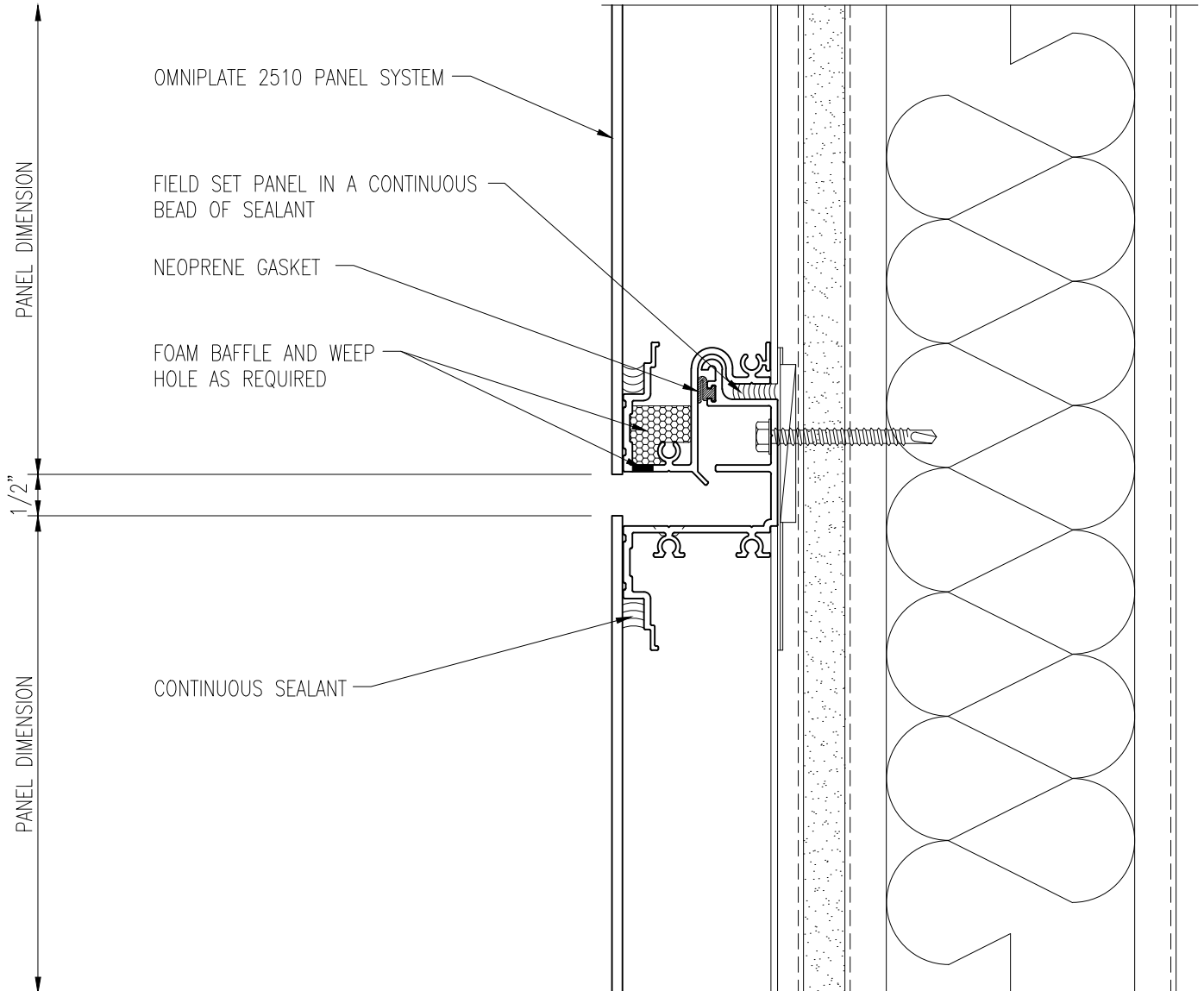


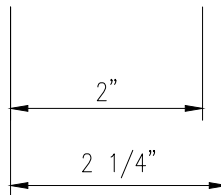
Table of Contents:

DETAIL DESCRIPTION

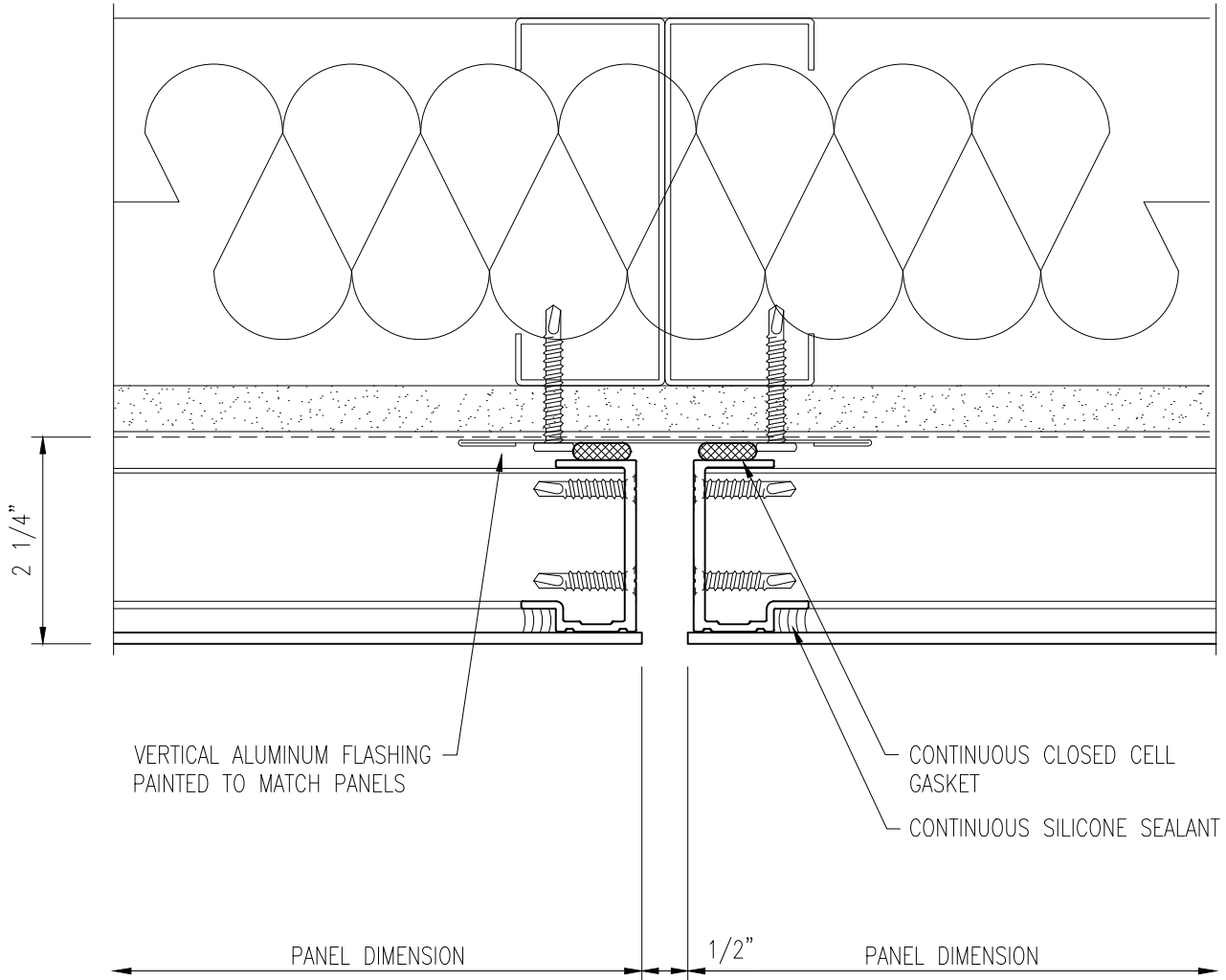
- 1 Horizontal Joint
- 2 Vertical Joint
- 3 Panel Stiffener
- 4 Panel Sill
- 5 Panel Jamb
- 6 Storefront Sill
- 7 Storefront Head
- 8 Storefront Jamb
- 9 Curtain Wall Sill
- 10 Curtain Wall Head
- 11 Curtain Wall Jamb
- 12 Coping
- 13 Outside Corner
- 14 Outside Mitered Corner
- 15 Inside Corner



1/2" IS STANDARD HORIZONTAL REVEAL SIZE. REVEAL IS ALSO AVAILABLE AS 1 1/2" OR 2". CONSULT WITH METALWERKS FOR OTHER REVEAL SIZES

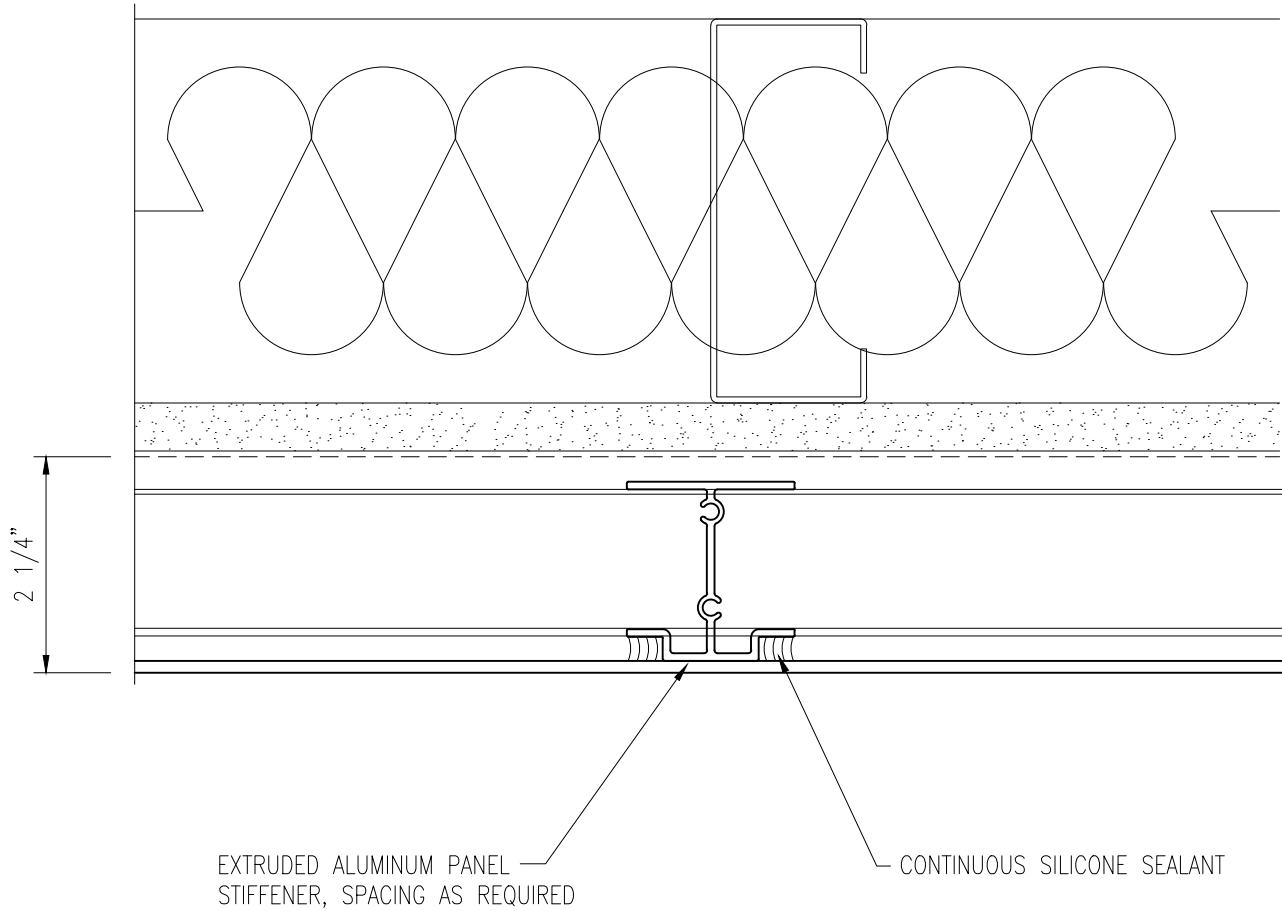


1) Horizontal Joint

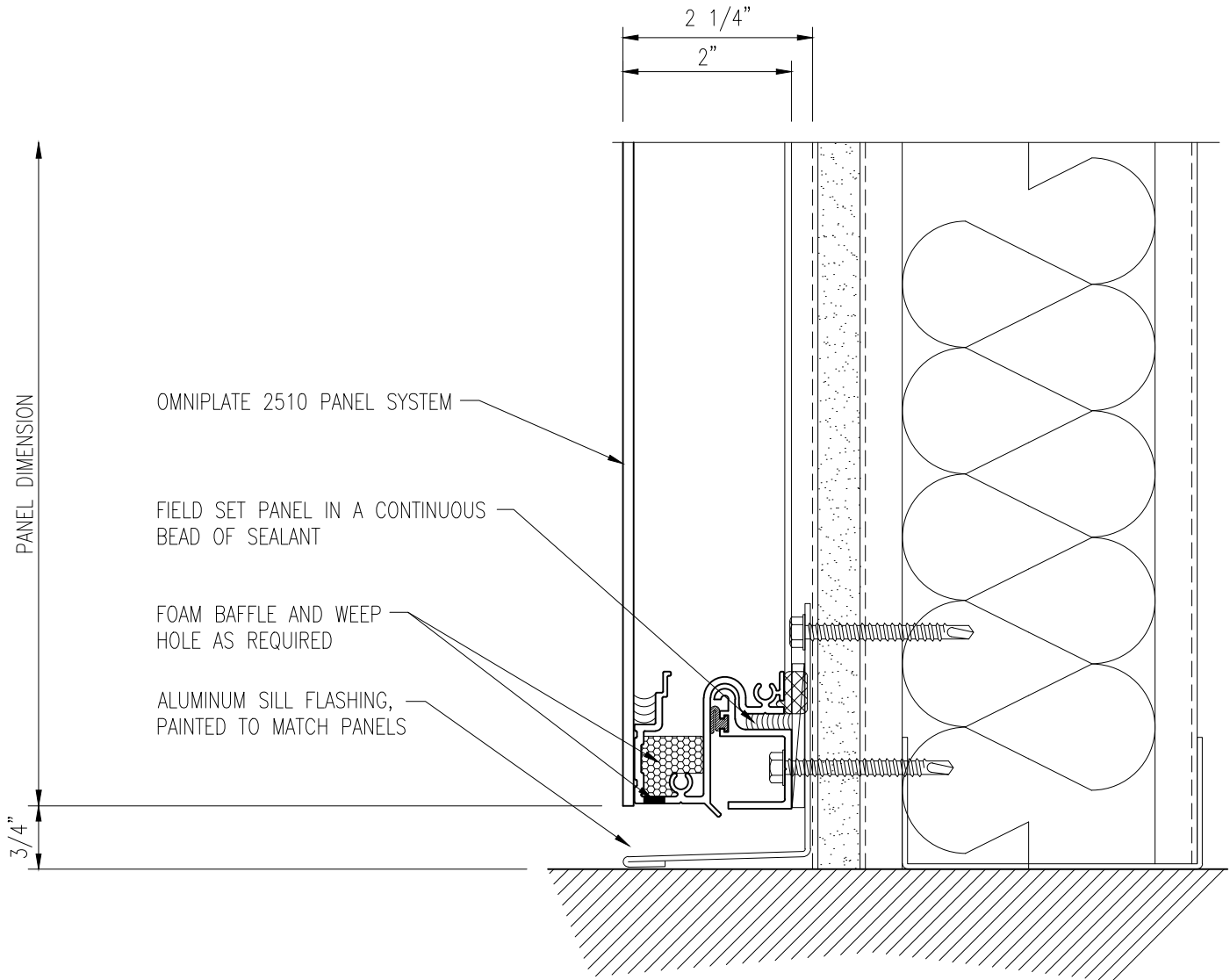


1/2" IS STANDARD HORIZONTAL REVEAL SIZE. REVEAL IS AVAILABLE UP TO 6".

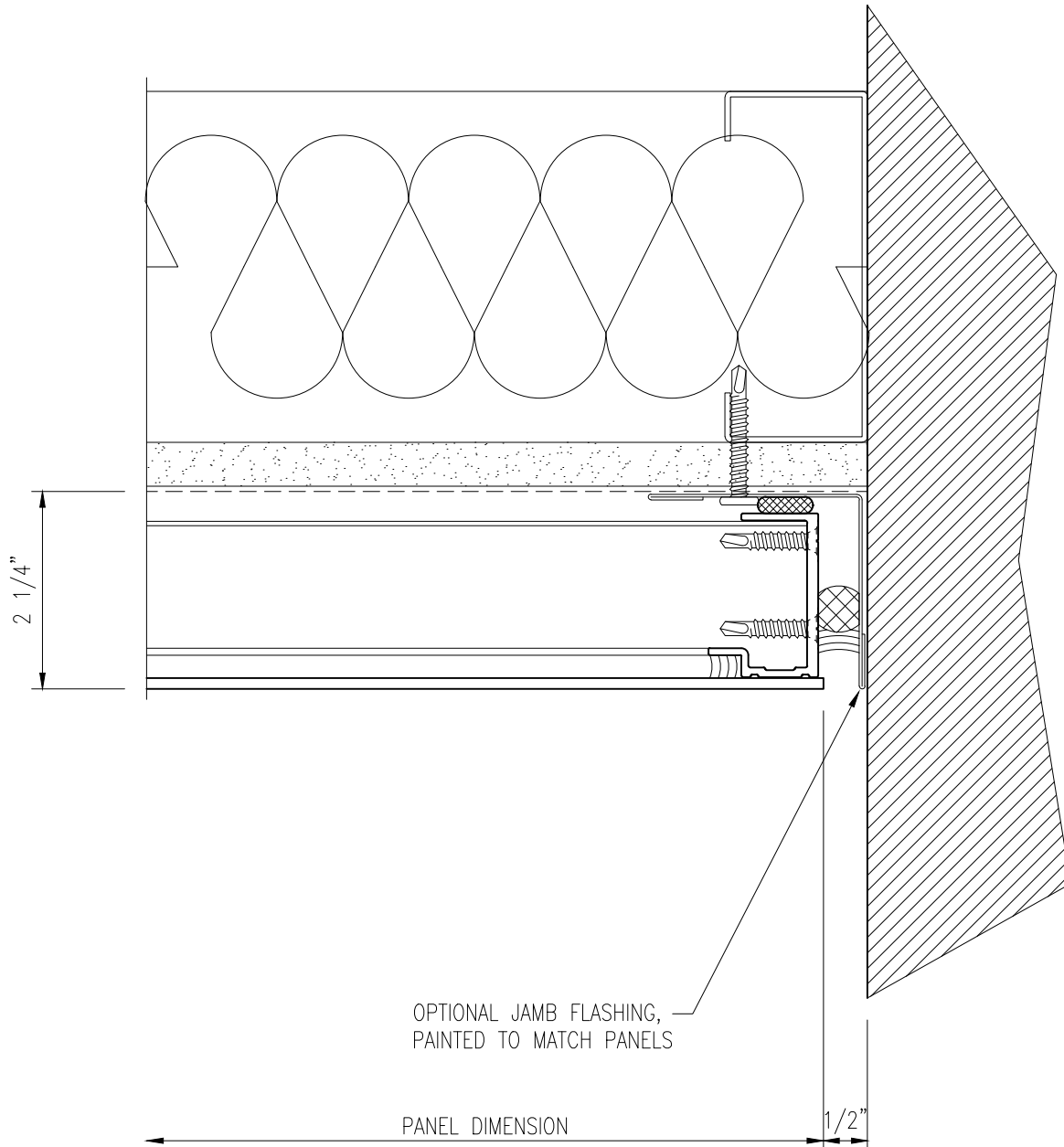
2) Vertical Joint



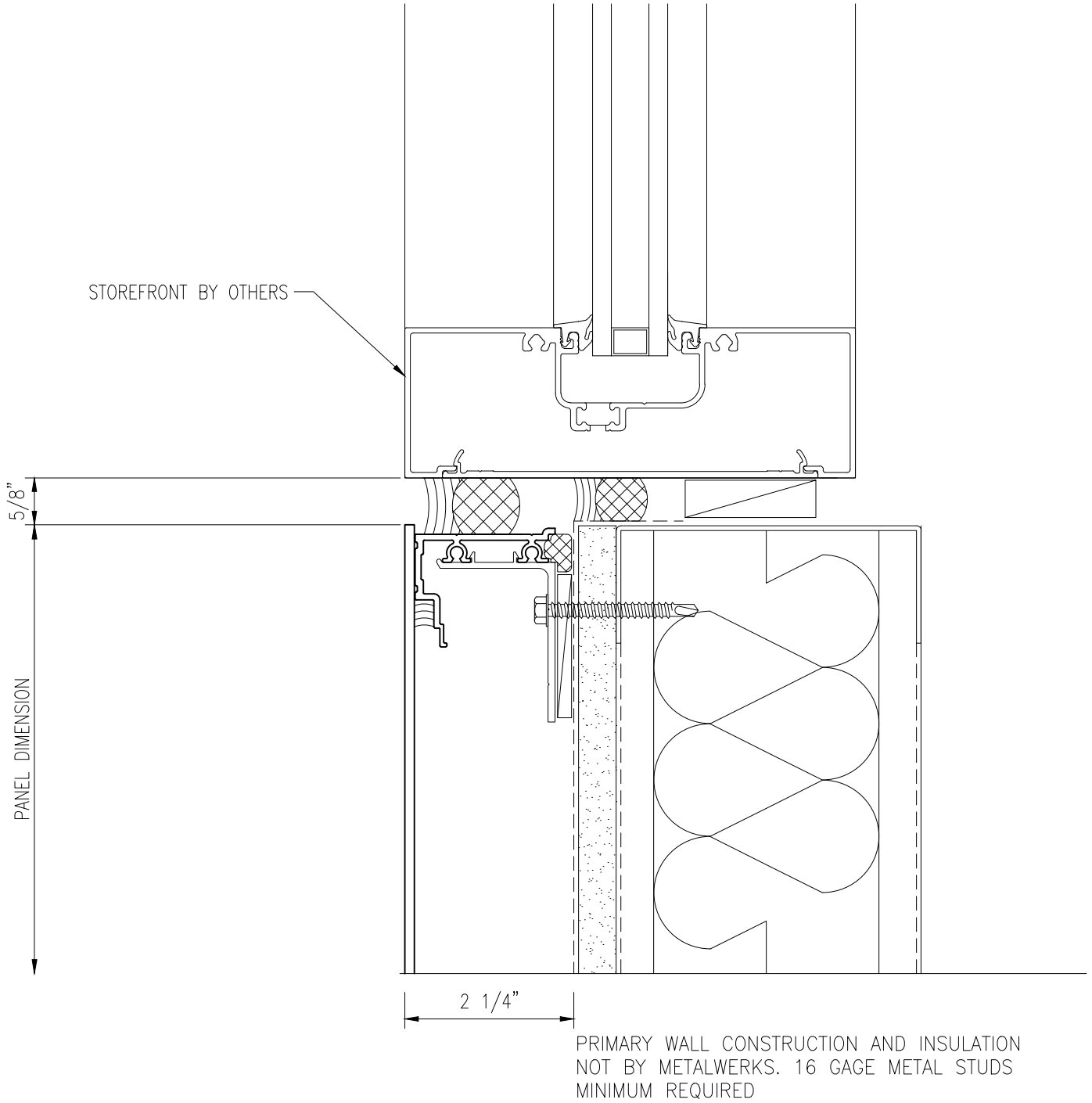
3) Panel Stiffener



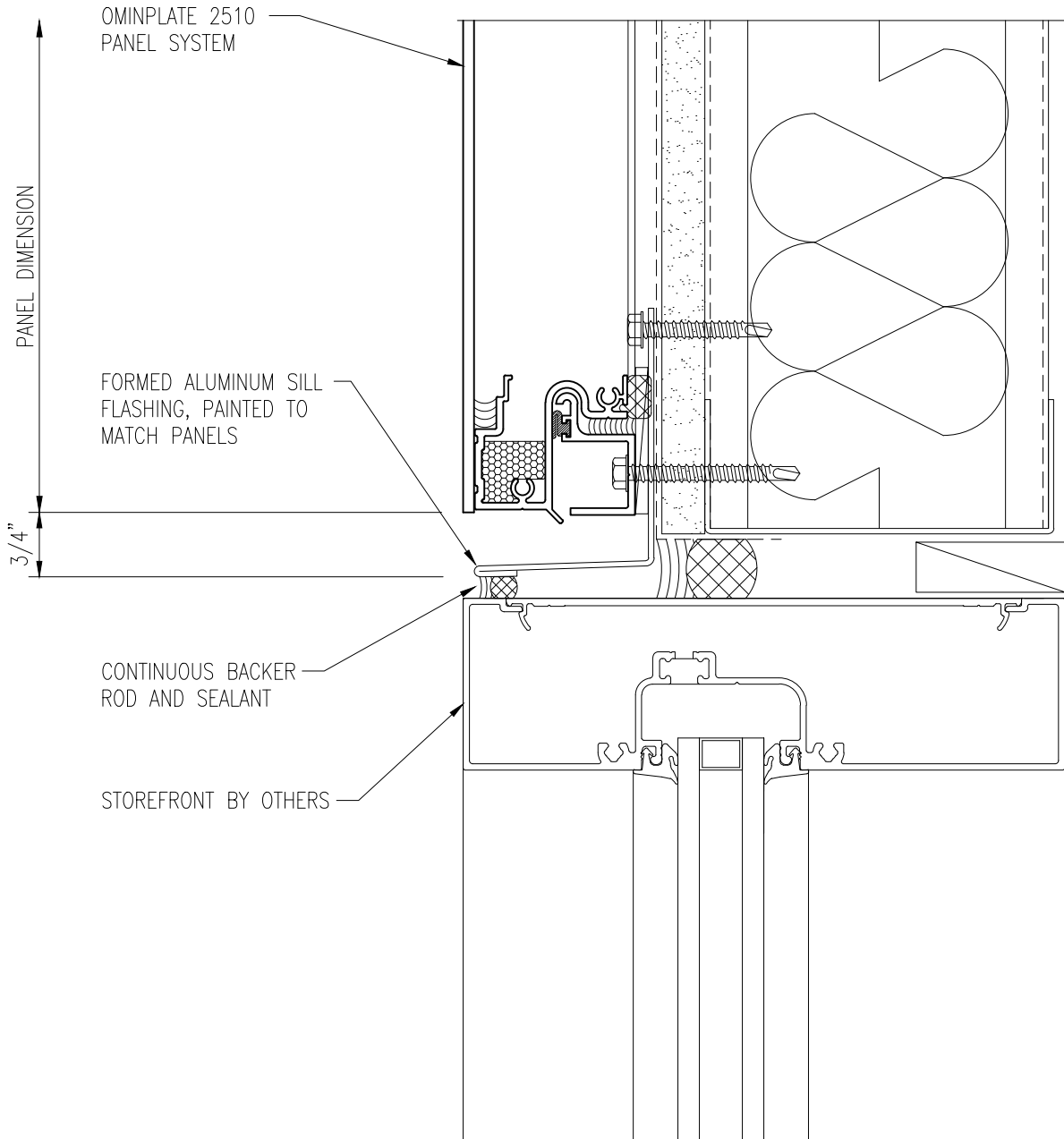
4) Panel Sill



5) Panel Jamb Detail



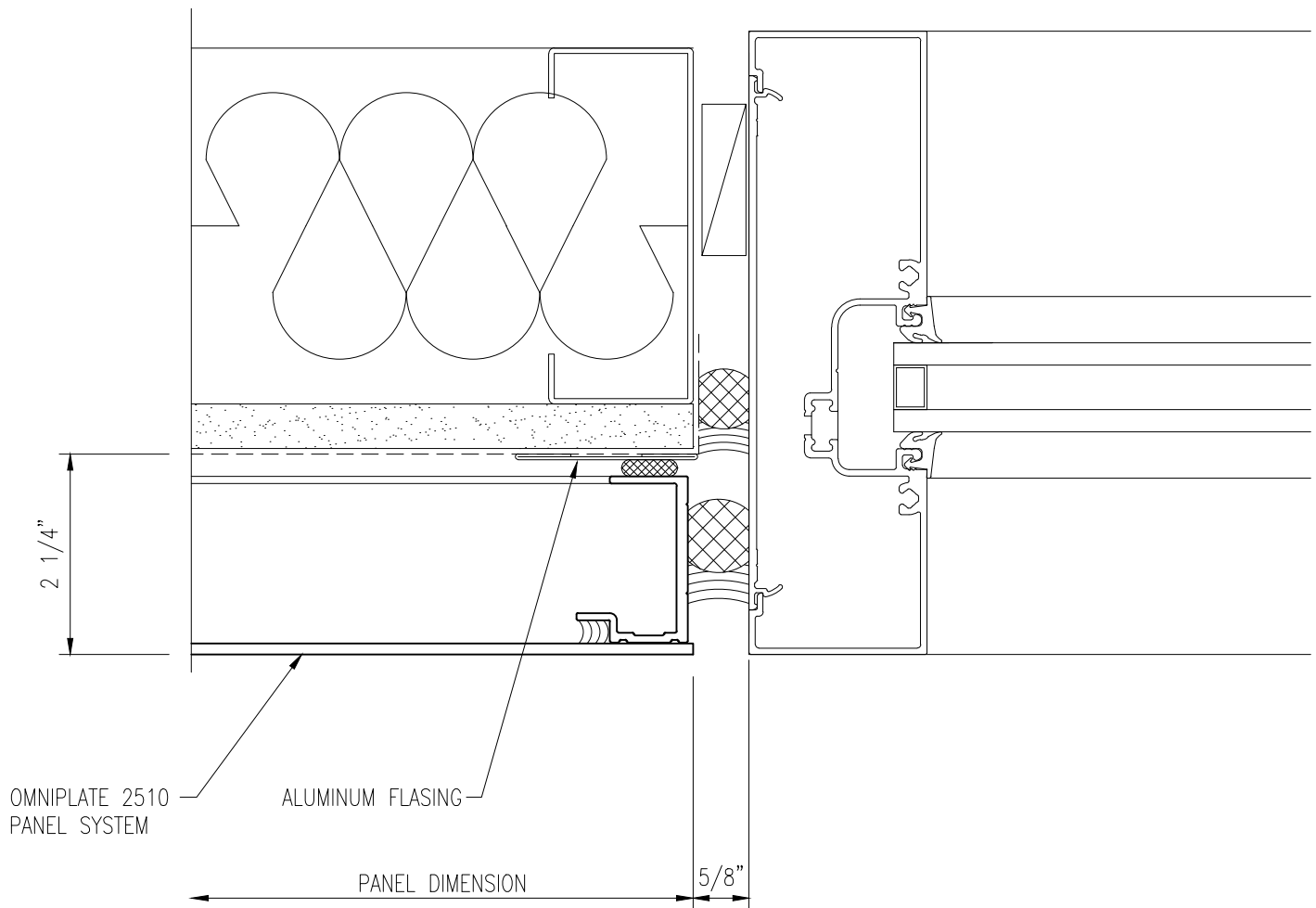
6) Storefront Sill



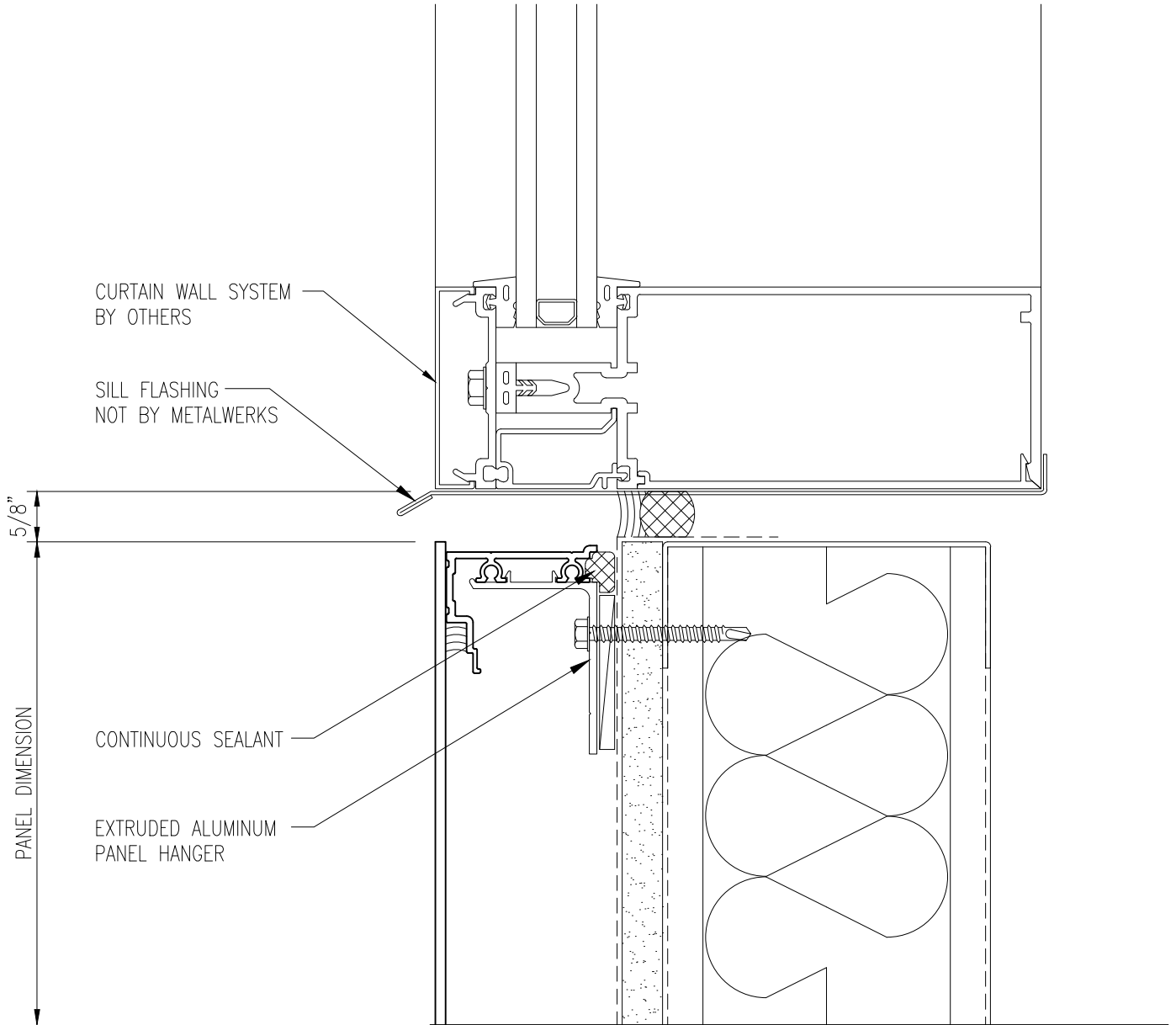
PRIMARY WALL CONSTRUCTION AND INSULATION NOT BY METALWERKS. 16 GAGE METAL STUDS MINIMUM REQUIRED

7) Storefront Head

PRIMARY WALL CONSTRUCTION AND INSULATION
NOT BY METALWERKS. 16 GAGE METAL STUDS
MINIMUM REQUIRED

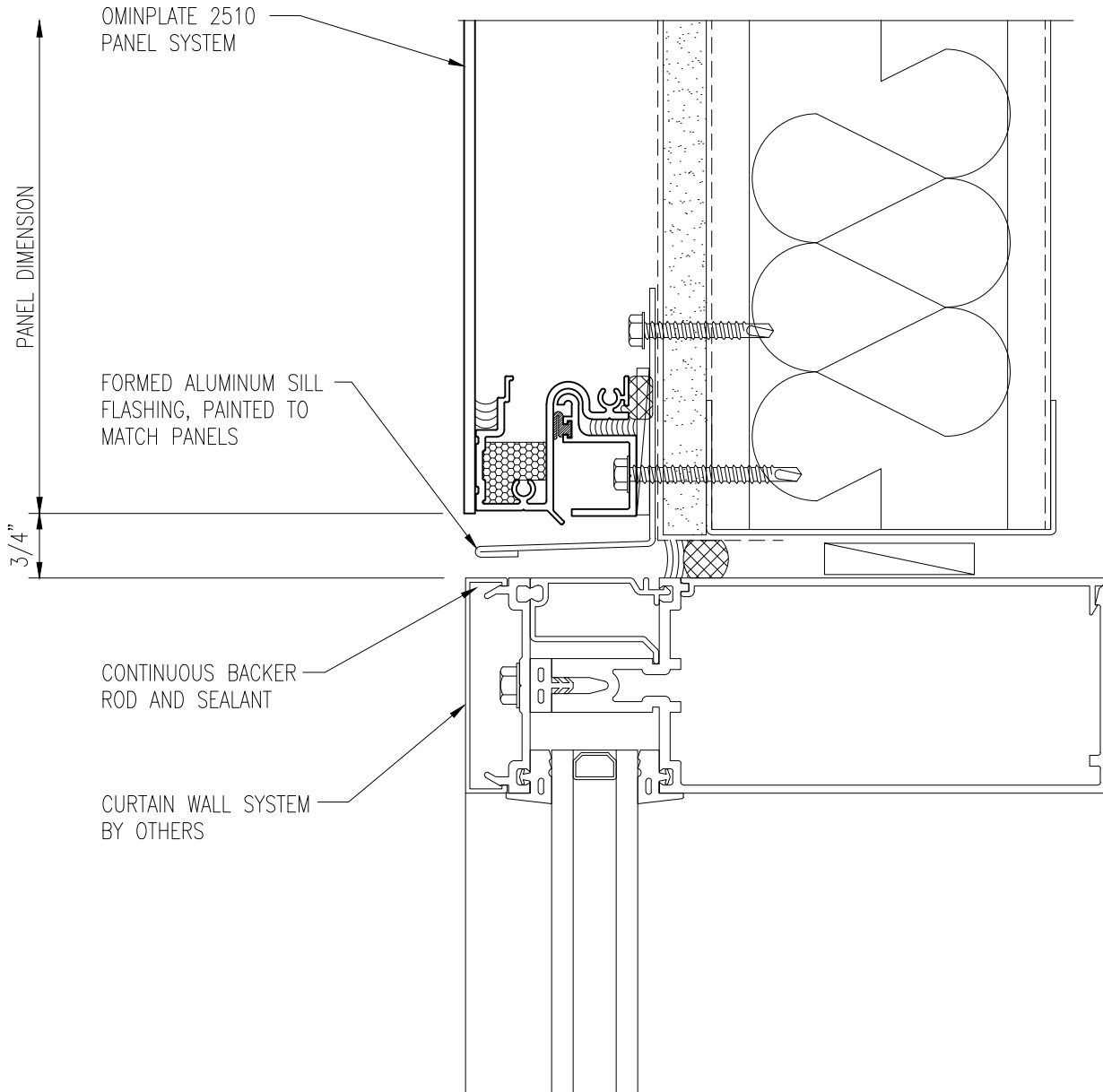


8) Storefront Jamb



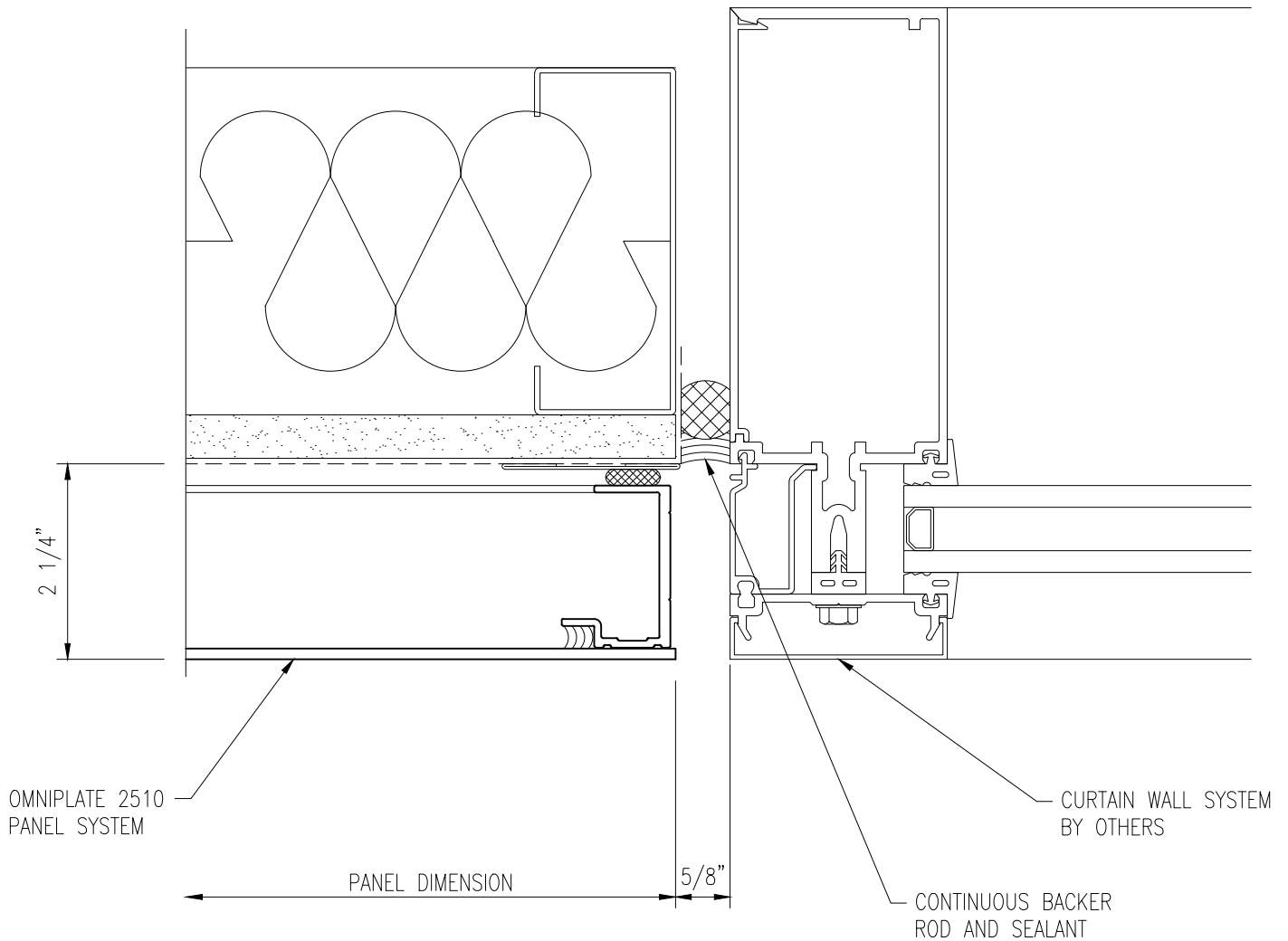
PRIMARY WALL CONSTRUCTION AND INSULATION NOT BY METALWERKS. 16 GAGE METAL STUDS MINIMUM REQUIRED

9) Curtain Wall Sill



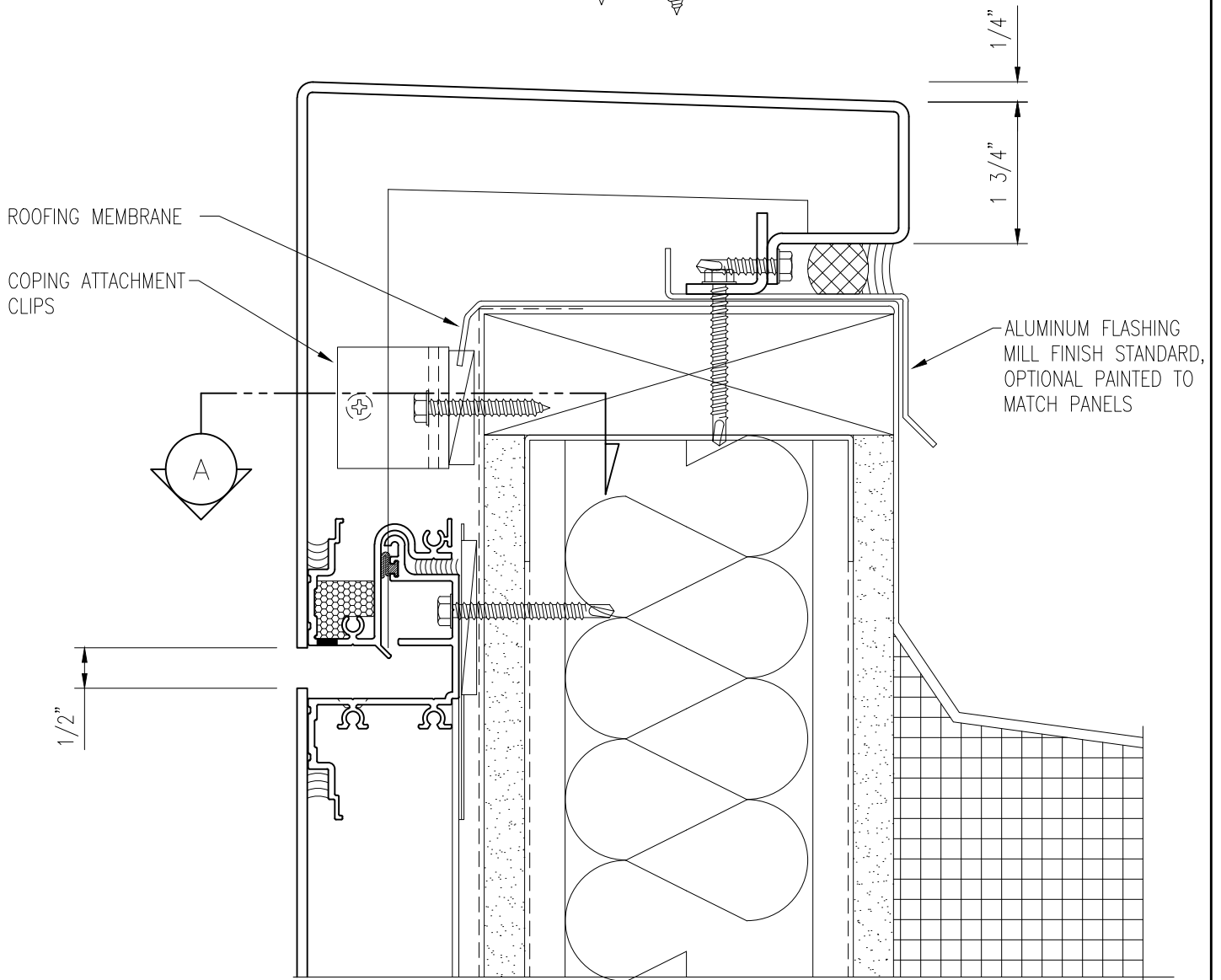
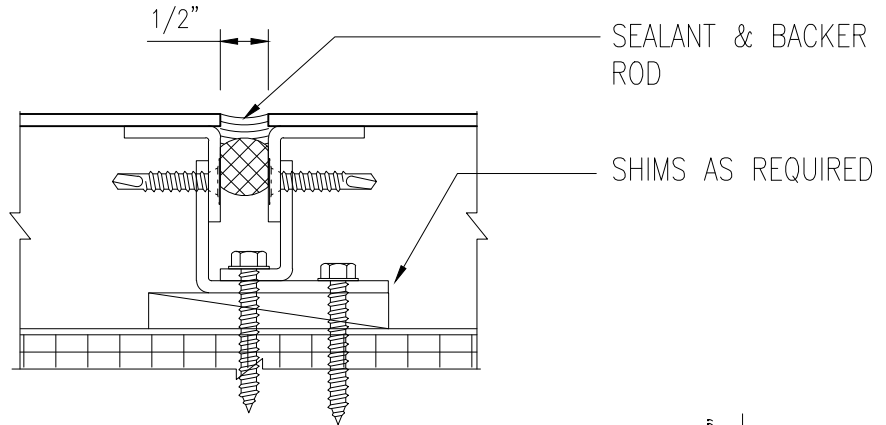
PRIMARY WALL CONSTRUCTION AND INSULATION
NOT BY METALWERKS. 16 GAGE METAL STUDS
MINIMUM REQUIRED

10) Curtain Wall Sill

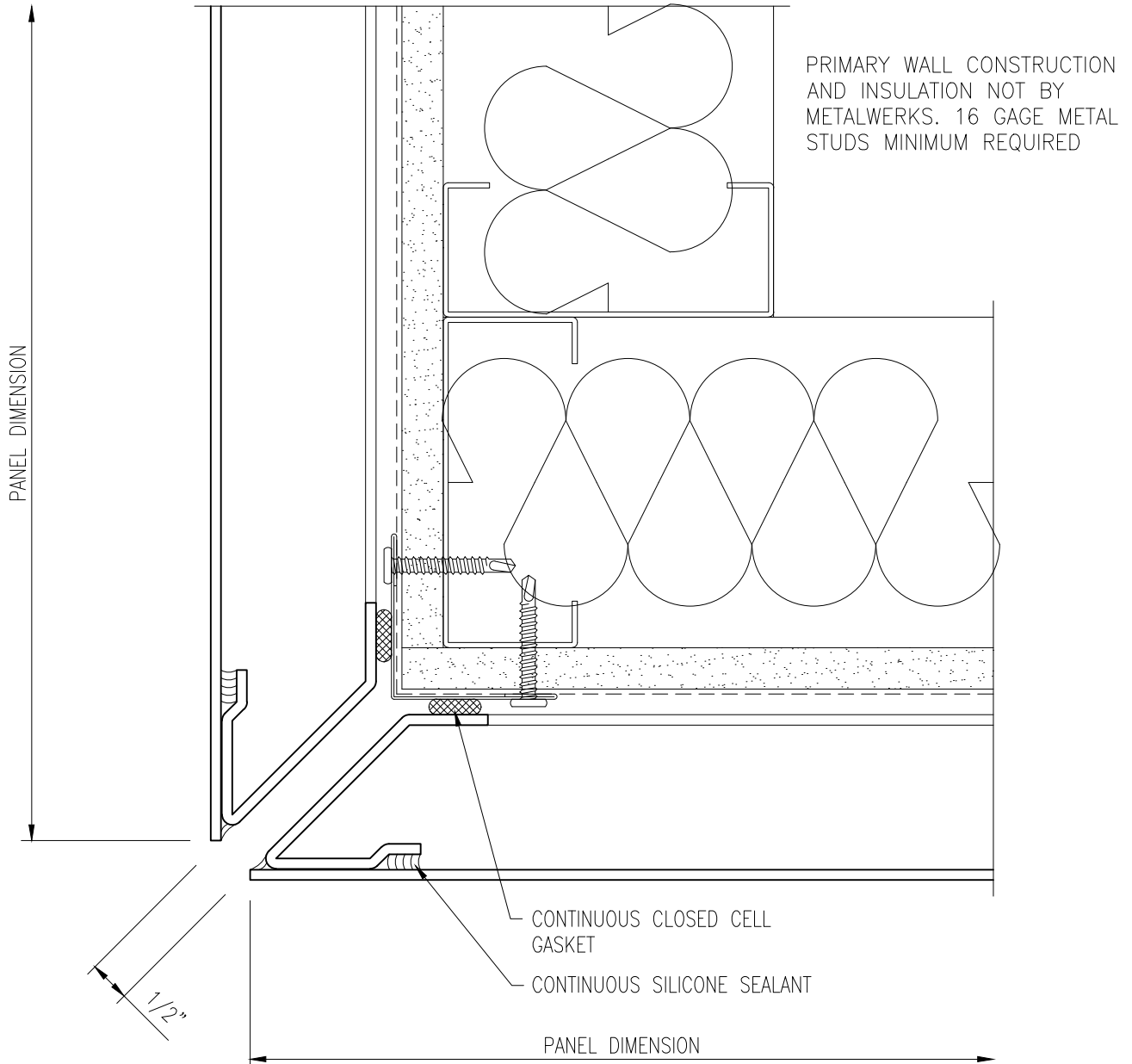


11) Curtain Wall Jamb

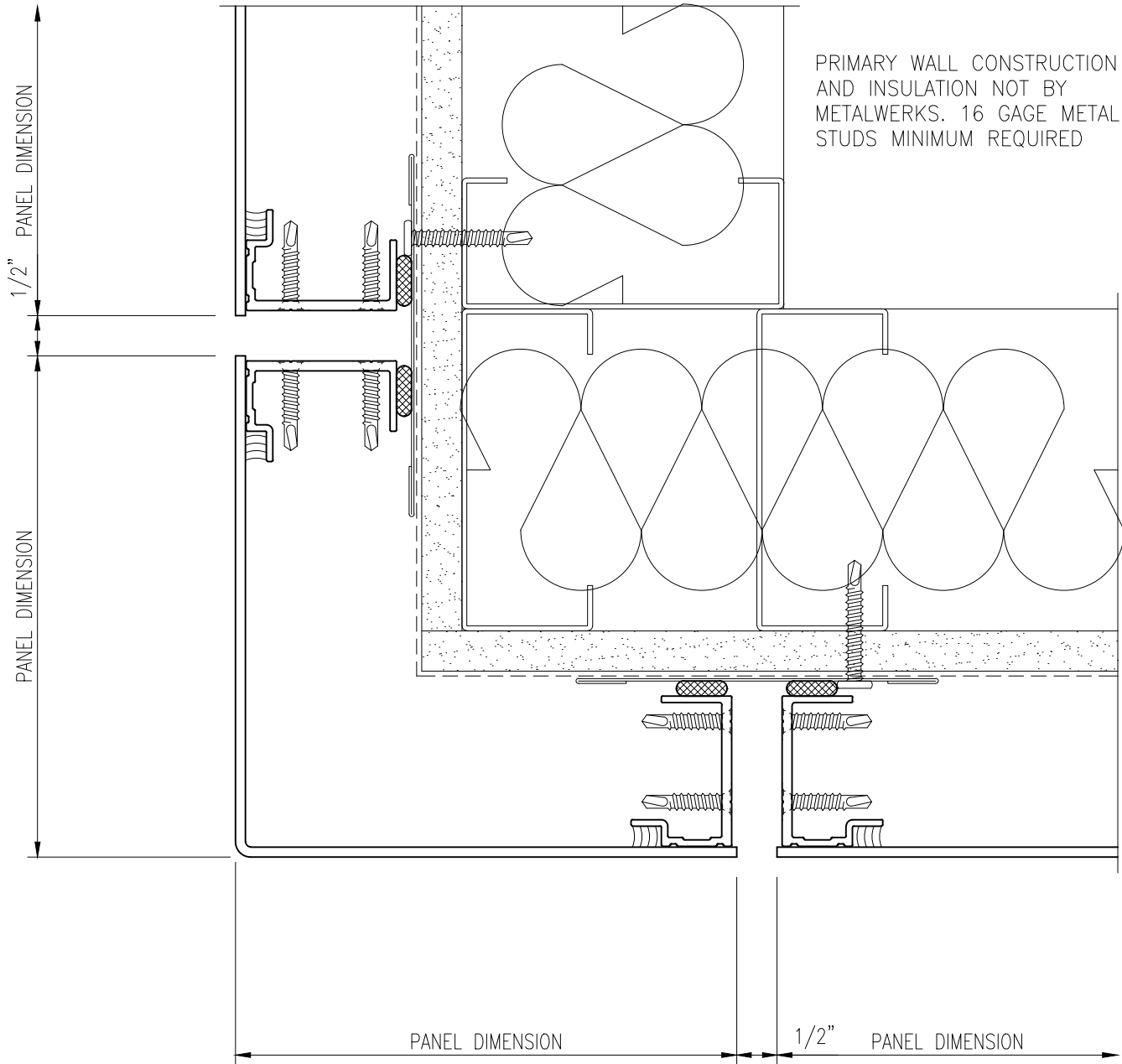
SECTION 'A'



12) Coping



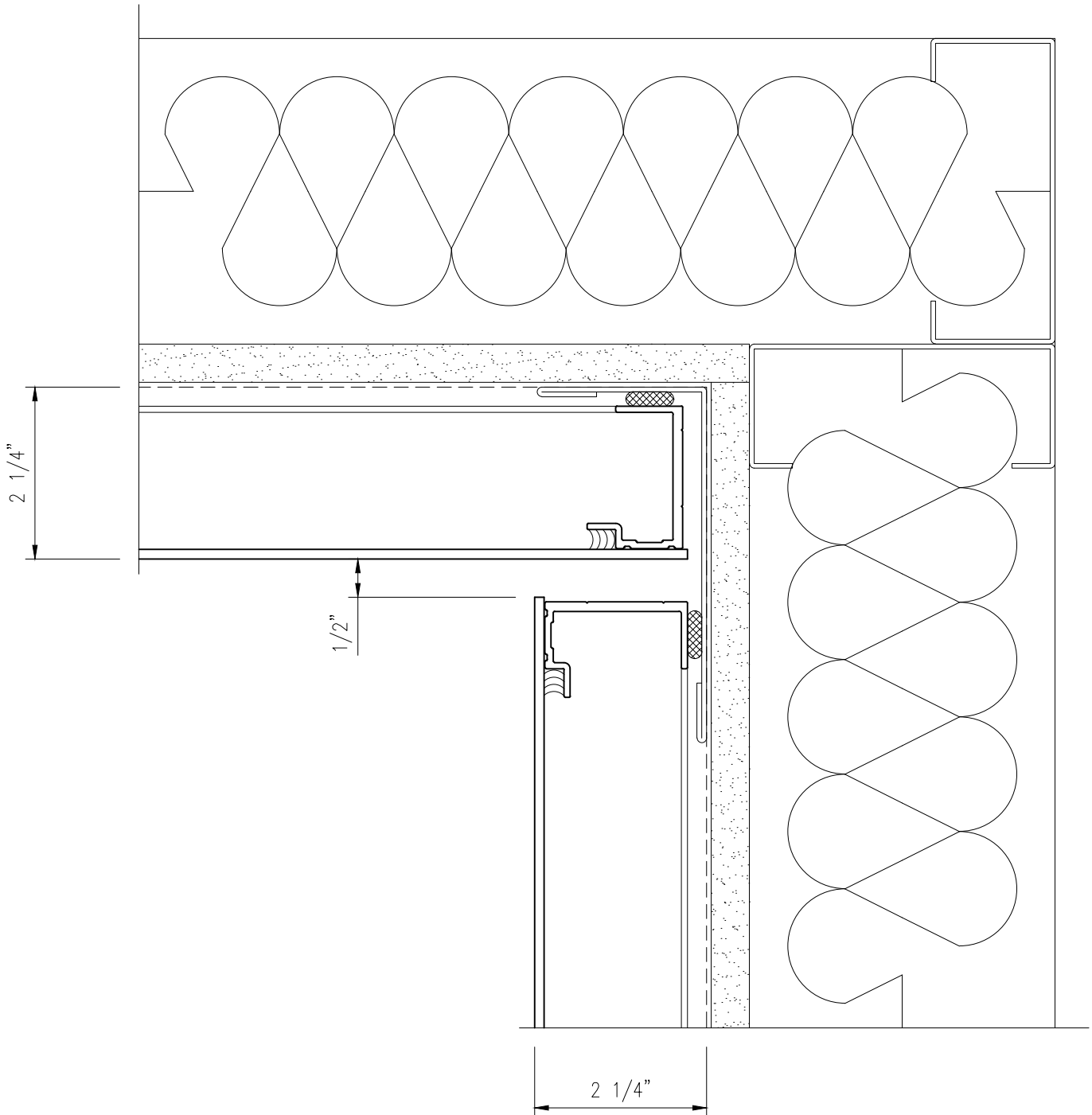
13) Standard Outside Corner



CONSULT WITH METALWERKS
FOR DIMENSION OPTIONS

14) Outside Corner w/ Optional Mitered Panel

PRIMARY WALL CONSTRUCTION AND INSULATION
NOT BY METALWERKS. 16 GAGE METAL STUDS
MINIMUM REQUIRED



15) Standard Inside Corner