

Omniplate 1500 is an economical barrier wall system with visible caulk joints at all horizontal and vertical panel joints. As a barrier wall, Omniplate 1500 serves as the primary weather barrier for the building envelope. It can be installed on vertical, sloped or horizontal surfaces over masonry, structural steel, stud backup or within curtain wall designs.

Manufactured from either aluminum or stainless steel plate, Omniplate 1500 provides outstanding freedom of form including curves and complex 3D profiles, and permits challenging transitions without exposed trim or joints.

The system installs with concealed fasteners over studs and continuous sheathing, continuous masonry, or concrete. In addition to walls, the system is suited for vestibules, canopies and eyebrows, as well as for enclosing exposed columns, beams, and pilasters.

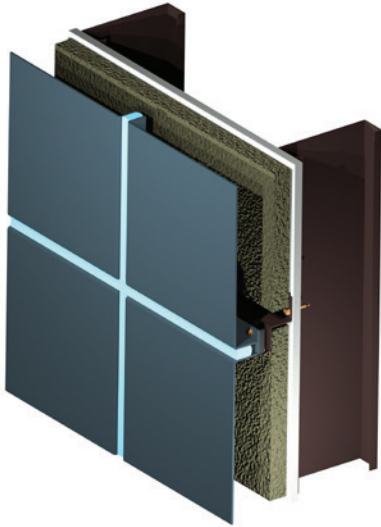


### DETAILS

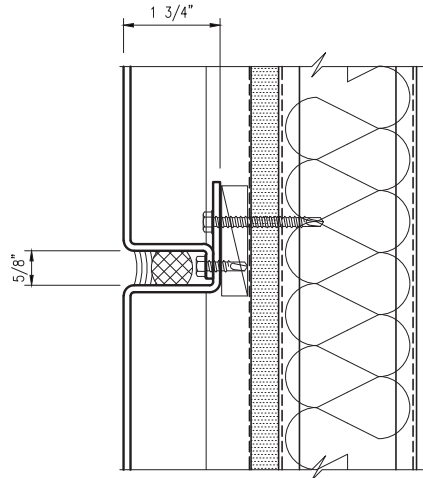
- Manufactured from solid aluminum or stainless plate with integral panel returns formed from a single piece of metal
- Consult with Metalwërks for zinc plate options
- Solid aluminum and stainless steel: high resistance to denting and puncturing, perfect for high-traffic or abusive environments
- Fully mitered and welded corners ground smooth for seamless appearance
- Panel to panel joints created with backer rod and sealant and at panel perimeters to create a complete airtight and watertight exterior barrier including roofs or sloping projected surfaces
- Non-Combustible: minimal smoke or fuel contribution
- Avoids NFPA 285 complications by avoiding thermo-plastic cores
- All panel systems are reinforced/stiffened to resist deflection limits
- 0.625" (15.8 mm) wide standard horizontal and vertical joint
- Panels install both horizontally and vertically
- Panels attach with concealed corrosion-resistant self-tapping screws
- Aluminum: post-applied finishing for longterm performance and uniform aesthetic
- 100% recyclable with high percentage of post-consumer and industrial content, which may contribute to LEED credits

### DESIGN OPTIONS

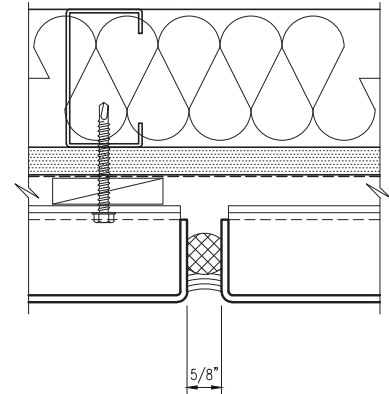
- Panels may be flat, curved, or custom 3D profiles
- Variable reveals: Horizontal 0.5" - 1" (12.7 mm - 25.4 mm); Vertical 0.5" - 1" (12.7 mm - 25.4 mm)
- Unlimited color options for aluminum plate
- Options for #4, #6, #8, and non-directional finishes for stainless plate
- Matching perforated and louvered panels
- Available shop-applied appliqués for accents
- Optional back-cuts on formed panel edges for a sharper bend and crisper appearance
- Integrated Copings
- Also compatible as column and beam cladding, canopy cladding, and custom 3D enclosures



**HORIZONTAL JOINT**



**VERTICAL JOINT**



### METAL SUBSTRATE AND FINISH OPTIONS

#### ALUMINUM

##### 3003-H14 aluminum alloy-temper

**Thickness:** 0.125" (3.18 mm) standard, 0.090" (2.29 mm), 0.188" (4.76 mm), 0.25" (6.35 mm) options

**Finishes:** Kynar®, architectural TGIC Polyester powder coating, or anodized

#### STAINLESS STEEL

##### T304 or T316

**Thickness:** 14 gauge (0.078") (1.98 mm) standard, 16 gauge (0.063") (1.60 mm), 12 gauge (0.105") (2.78 mm) options

**Finishes:** #4, #6, #8, and non-directional satin in smooth or custom embossed patterns

#### ZINC

Consult with Metalwërks

Zinc is a natural metal which has specific properties that will limit its use. It must be adequately drained, ventilated and weeped when used in exterior applications to prevent excessive corrosion. Please consult Metalwërks for the appropriate uses for your project design.

### PANEL SIZES

**Widths:** 12" (305 mm) to 54" (1,371 mm)\*

**Lengths:** 12" (305 mm) to 160" (4,064 mm)\*

**Depth:** 1.75" (44.45 mm) minimum

\* Maximum panel size depends upon plate material, gauge, finish, and geometry

### PANEL WEIGHT RANGE

(dependent upon gauge and geometry)

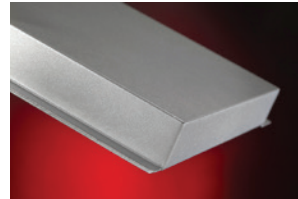
**Aluminum:** 2.22 - 4.02 lbs./ft<sup>2</sup>

**Stainless Steel:** 4.64 - 5.913 lbs./ft<sup>2</sup>

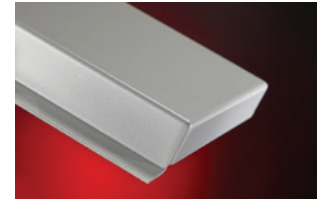
**Zinc:** Consult with Metalwërks

Ranges provided for clarification. Consult with Metalwërks for further options.

### SHARP CORNER



### STANDARD CORNER



### ACCESSORIES

**Flashing:** Formed sheet metal flashing which may be required at base or penetration conditions produced in the same material finish as the panel system

**Coping:** May be produced with the same material as the wall panel system

**Furring Channels:** As required for proper mounting of panels in 16 gauge minimum thickness

**Fasteners:** Type 304 Stainless Steel or Cadmium plated as recommended for specific application

**Shims:** High impact thermally-broken plastic shims to maintain co-planar surfaces

### TESTING

**Air Infiltration:** When tested in accordance with ASTM E 283-04

**Water Infiltration:** No water infiltration shall occur when tested in accordance with ASTM E 331-00 and AAMA 501.1-05 (Static and Dynamic Pressure Water Resistance)

**Structural:** When tested in accordance with ASTM E330-02

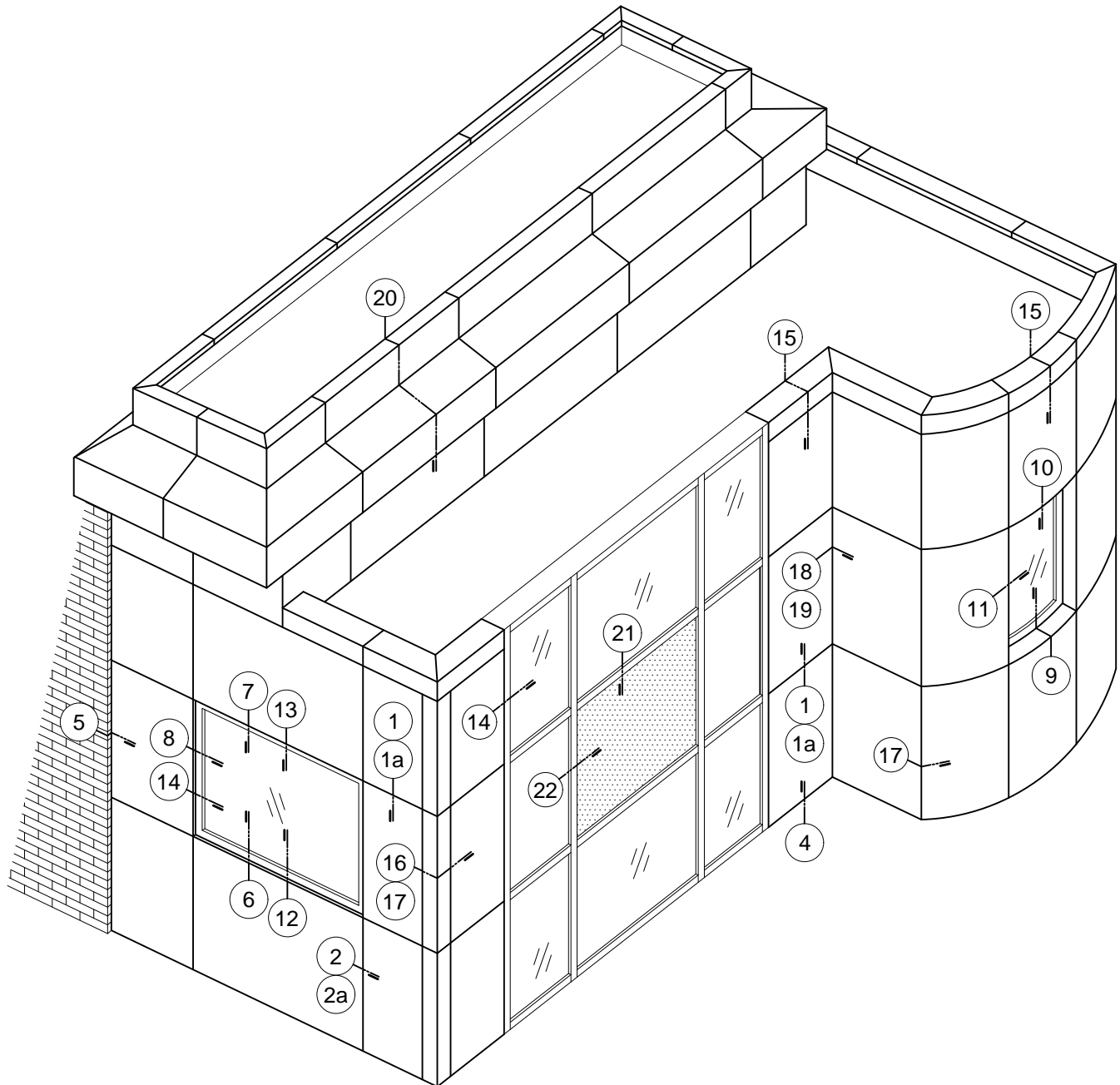
**ASTM B 209:** *Standard Specification for Aluminum and Aluminum-Alloy Sheet and Steel*

**AAMA 2605.2:** *Voluntary Specification for High Performance Organic Coatings on Architectural Aluminum Extrusions and Panel*

### WARRANTY

**Material & Workmanship:** 1-year standard, with 2- or 5-year options

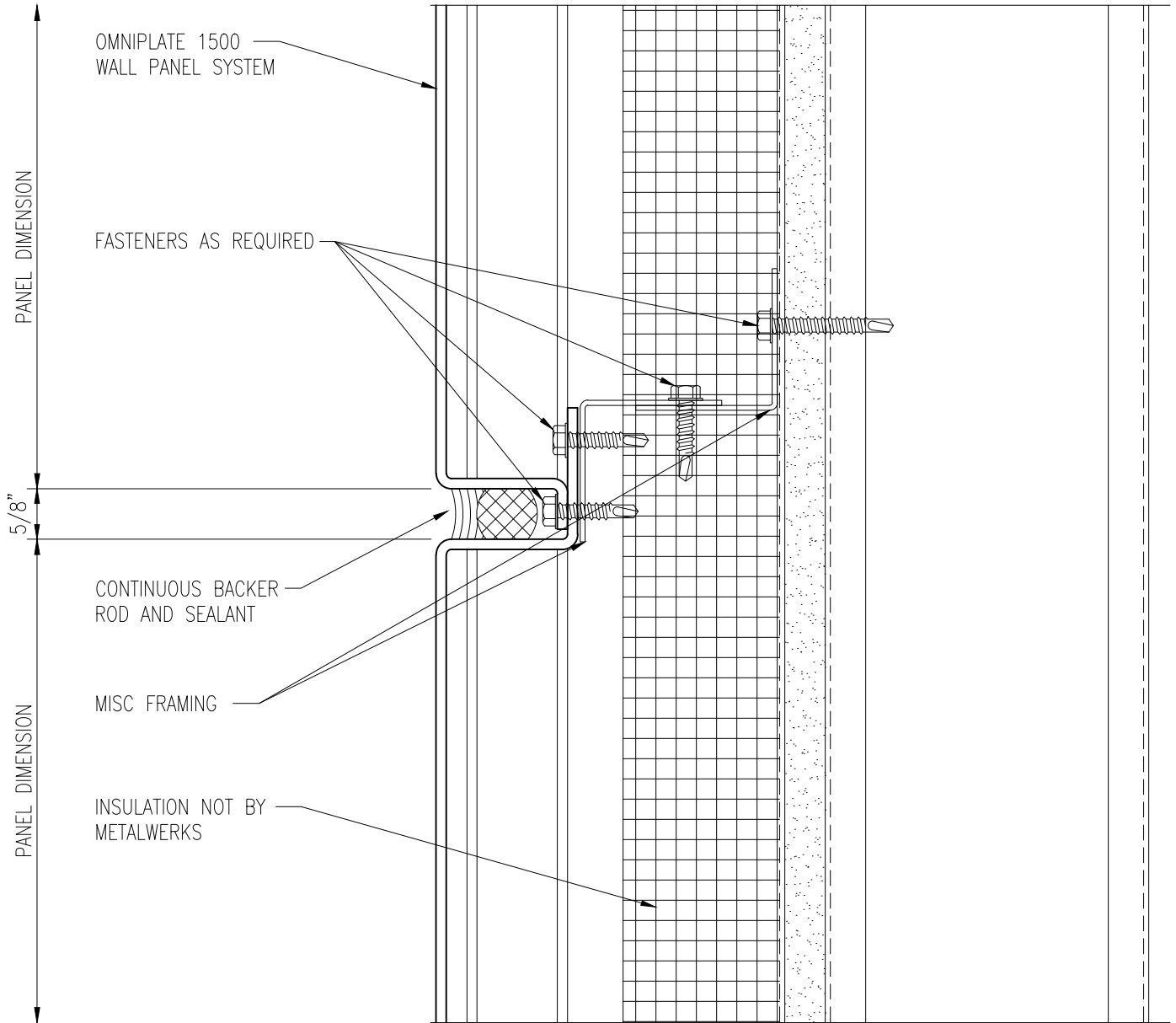
**Finish Integrity:** 10-year standard and up to 20-year for coated aluminum



## Table of Contents:

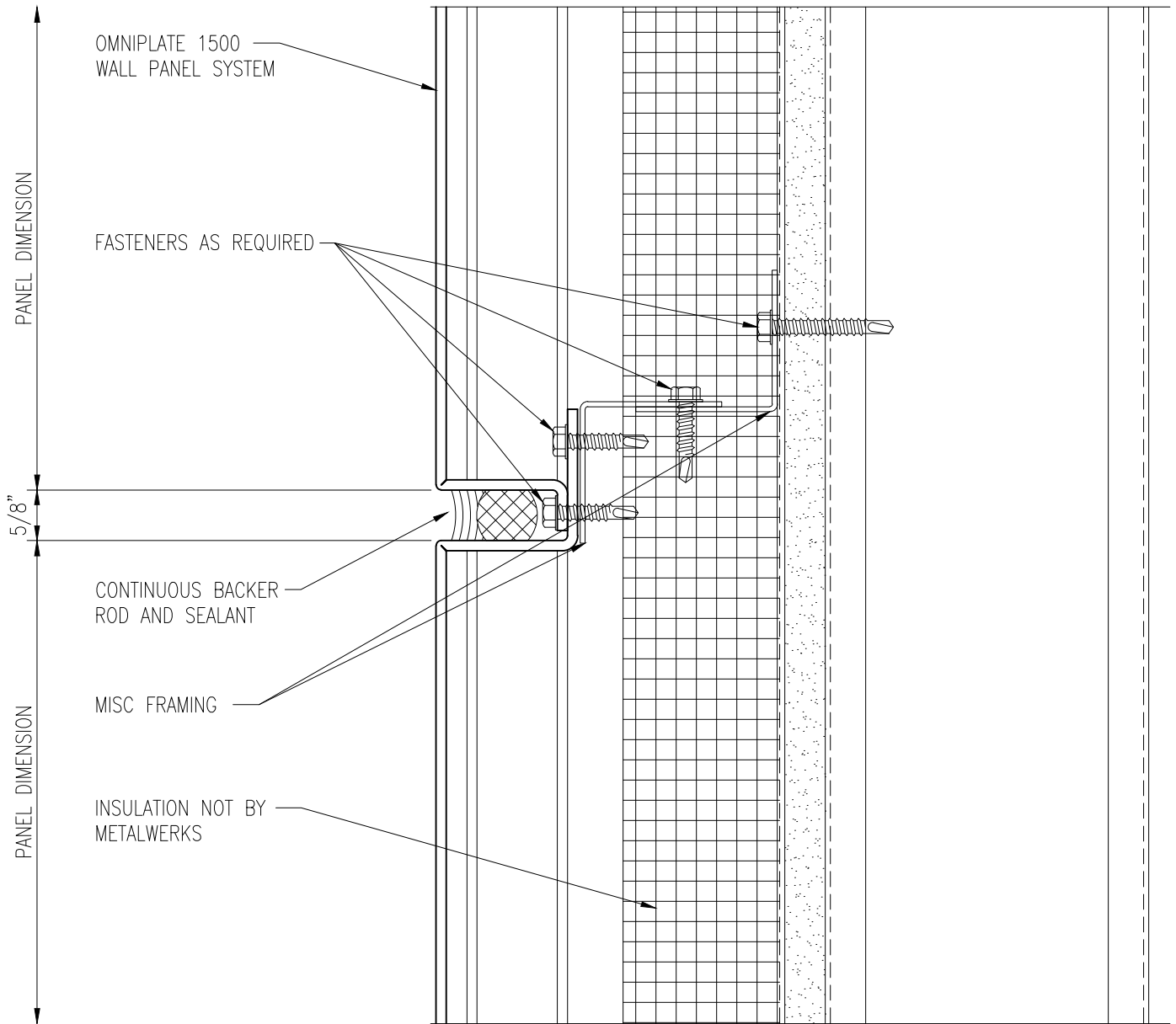
### DETAIL DESCRIPTION

- 1 Horizontal Joint
- 1a Horizontal Joint w/ Back Routed Edges
- 2 Vertical Joint
- 2a Vertical Joint w/ Back Routed Edges
- 3 Panel Stiffener
- 4 Panel Sill
- 5 Panel Jamb
- 6 Storefront Sill
- 7 Storefront Head
- 8 Storefront Jamb
- 9 Recessed Storefront Sill
- 10 Recessed Storefront Head
- 11 Recessed Storefront Jamb
- 12 Curtain Wall Sill
- 13 Curtain Wall Head
- 14 Curtain Wall Jamb
- 15 Coping
- 16 Outside Corner
- 17 Outside Mitered Corner
- 18 Inside Corner
- 19 Inside Mitered Corner
- 20 Eyebrow Detail
- 21 Glazed-In Section
- 22 Flush Face Glazed-In Section
- 23 Glazed-In Plan Details
- 24 Flush Face Glazed-In Plan Details



PRIMARY WALL CONSTRUCTION AND INSULATION NOT BY METALWERKS. 16 GAGE METAL STUDS MINIMUM REQUIRED

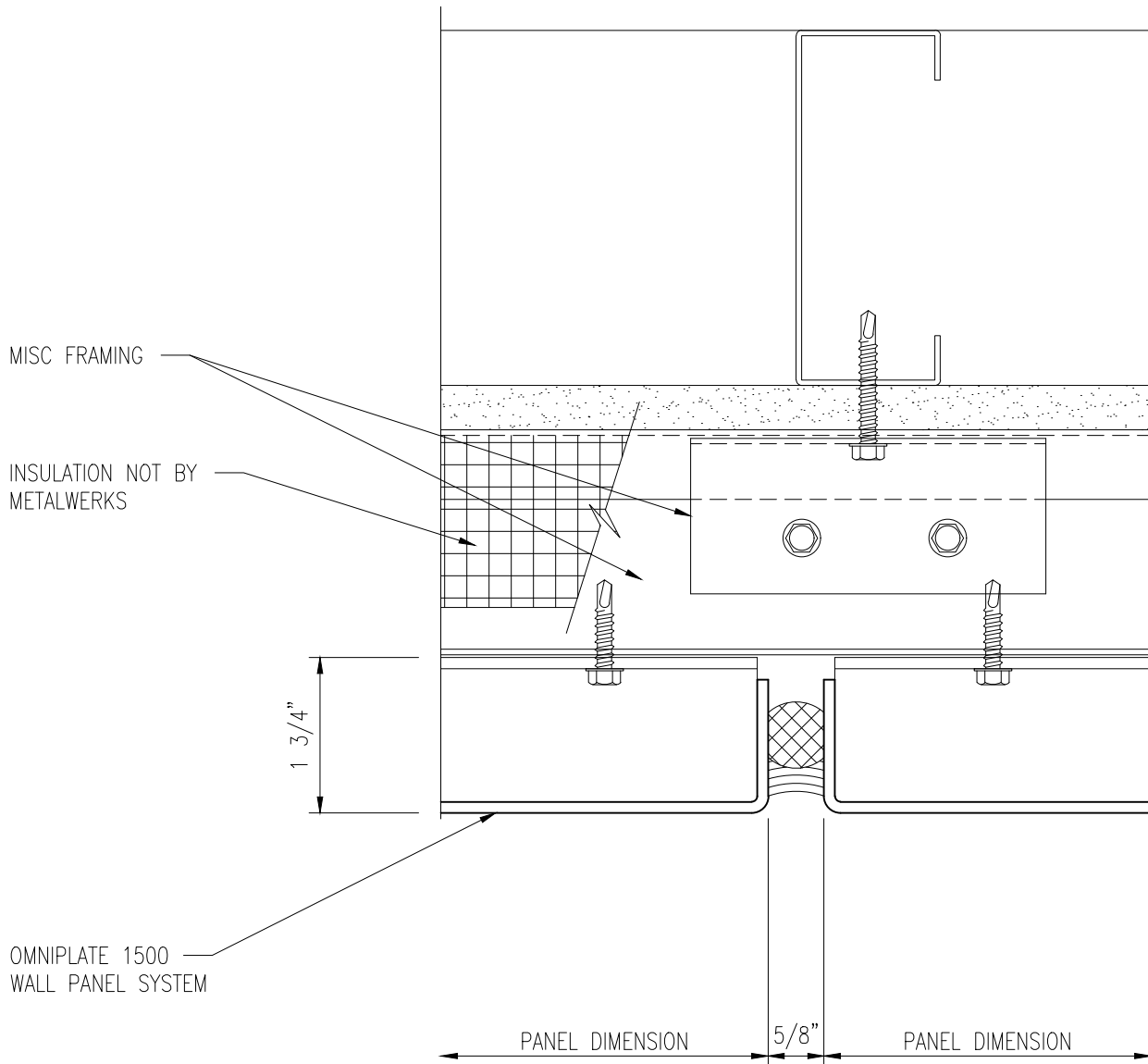
## 1) Horizontal Joint



PRIMARY WALL CONSTRUCTION AND INSULATION NOT BY METALWERKS. 16 GAGE METAL STUDS MINIMUM REQUIRED

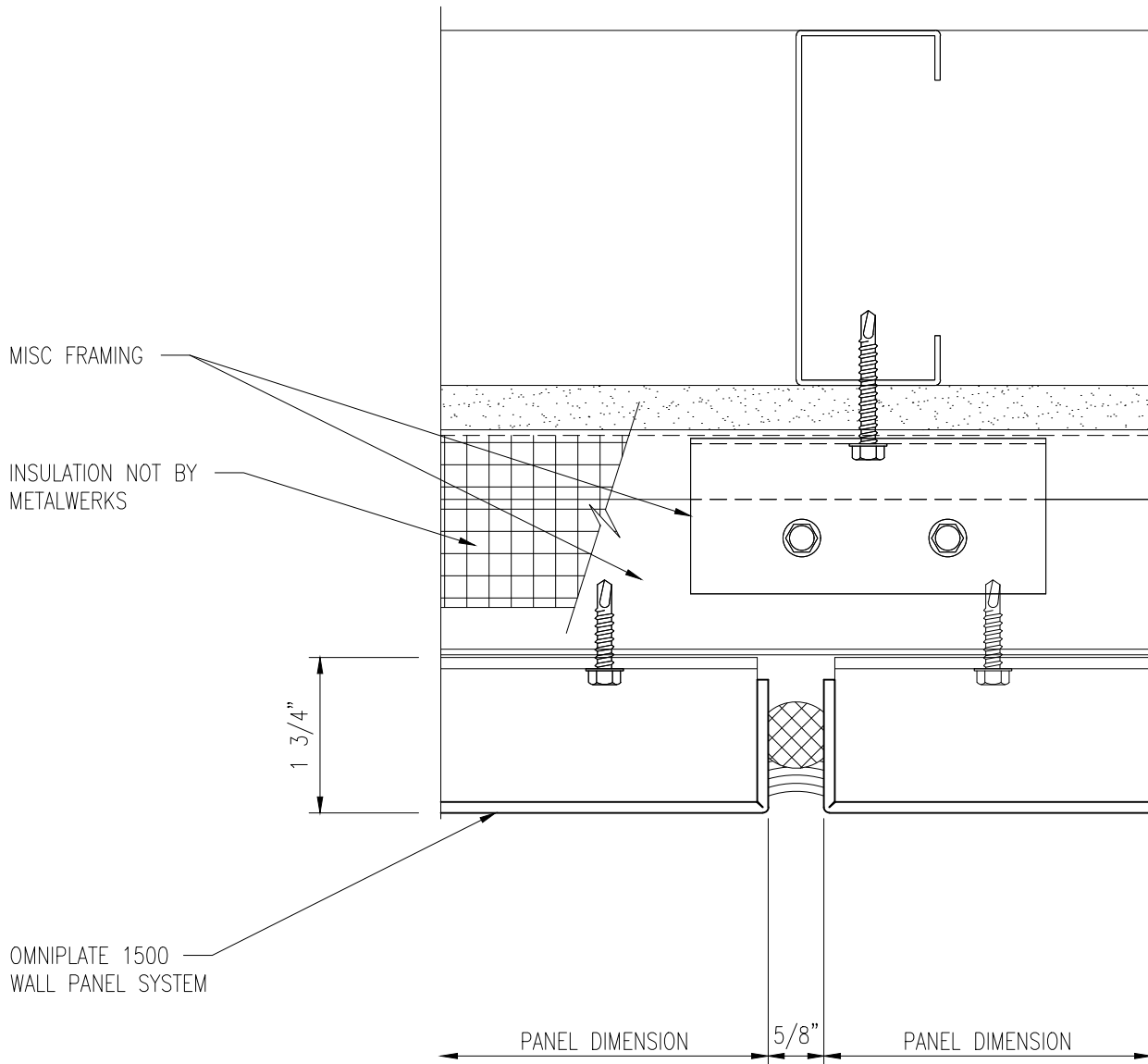
## 1a) Horizontal Joint w/ Back Routed Edges

PRIMARY WALL CONSTRUCTION AND INSULATION  
NOT BY METALWERKS. 16 GAGE METAL STUDS  
MINIMUM REQUIRED



## 2) Vertical Joint

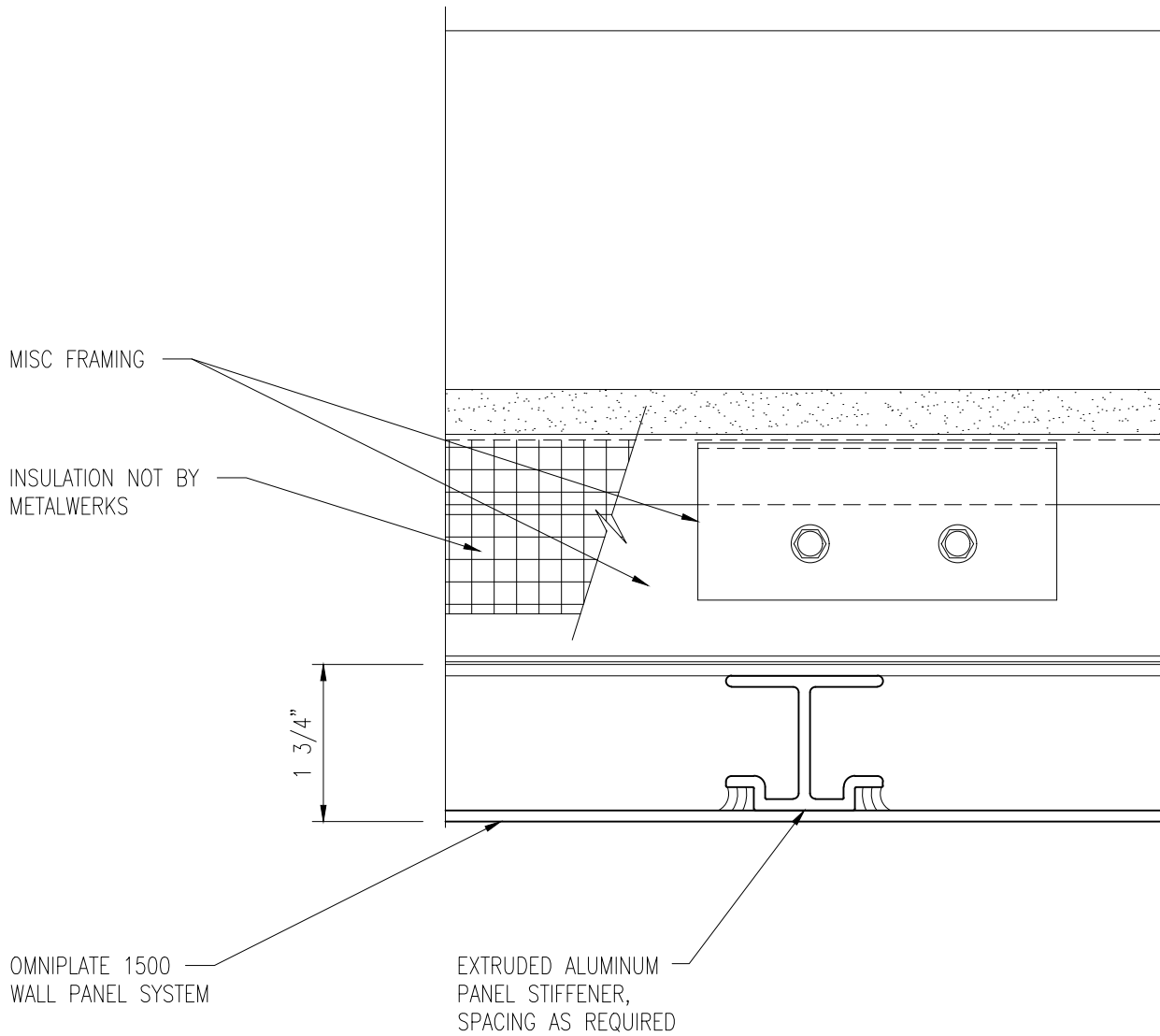
PRIMARY WALL CONSTRUCTION AND INSULATION  
NOT BY METALWERKS. 16 GAGE METAL STUDS  
MINIMUM REQUIRED



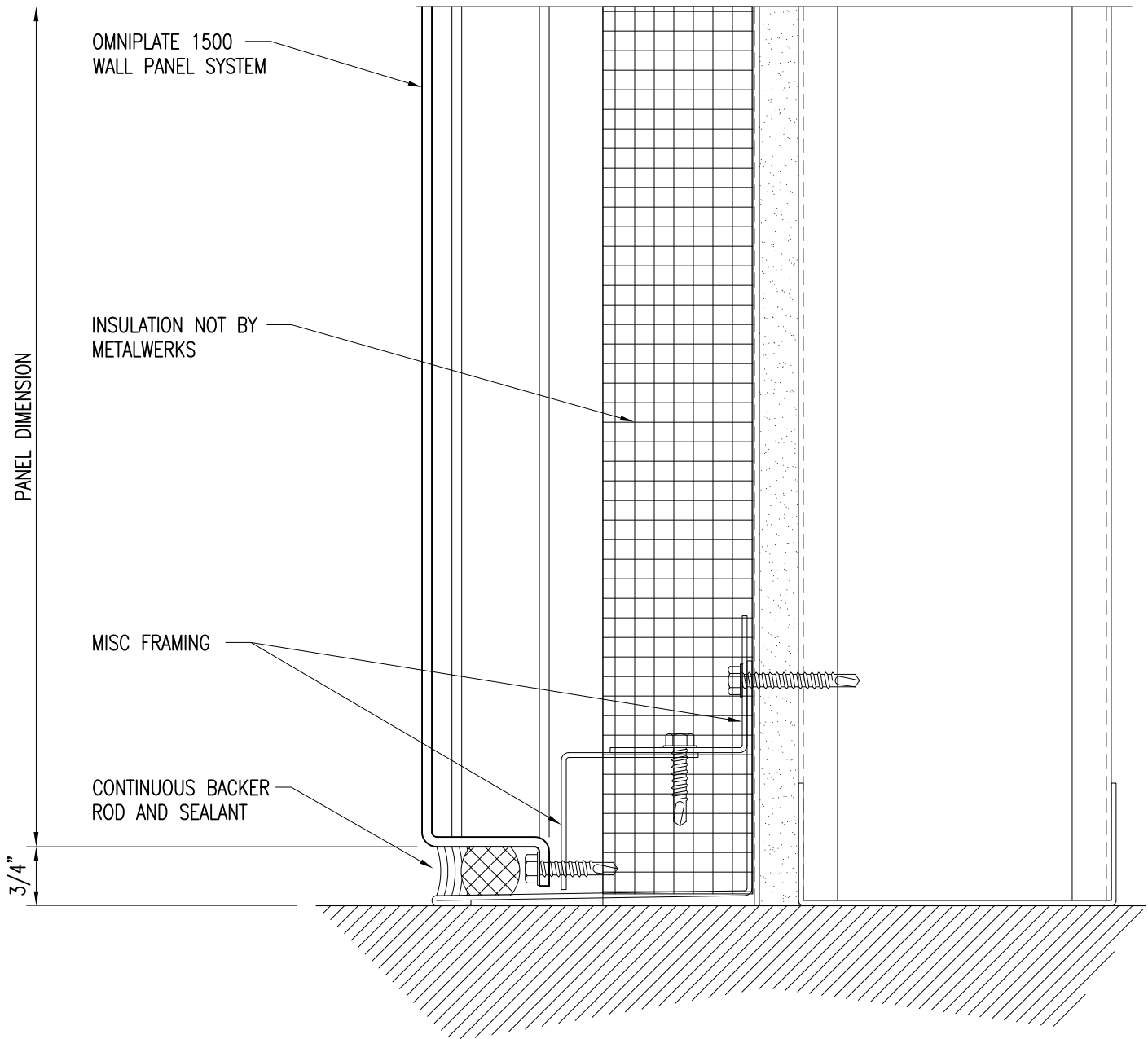
## 2a) Vertical Joint w/ Back Routed Edges



PRIMARY WALL CONSTRUCTION AND INSULATION  
NOT BY METALWERKS. 16 GAGE METAL STUDS  
MINIMUM REQUIRED



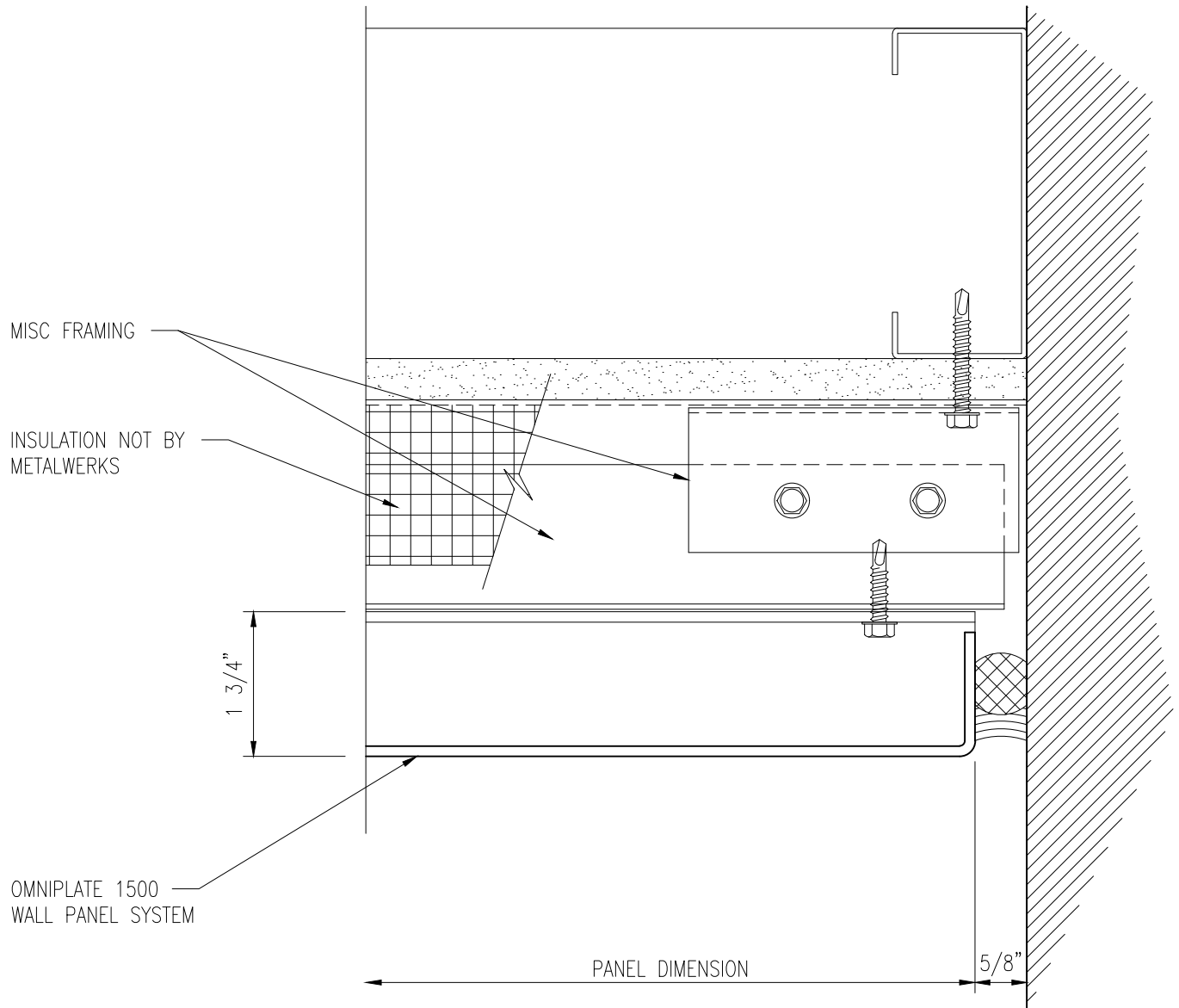
## 3) Panel Stiffener



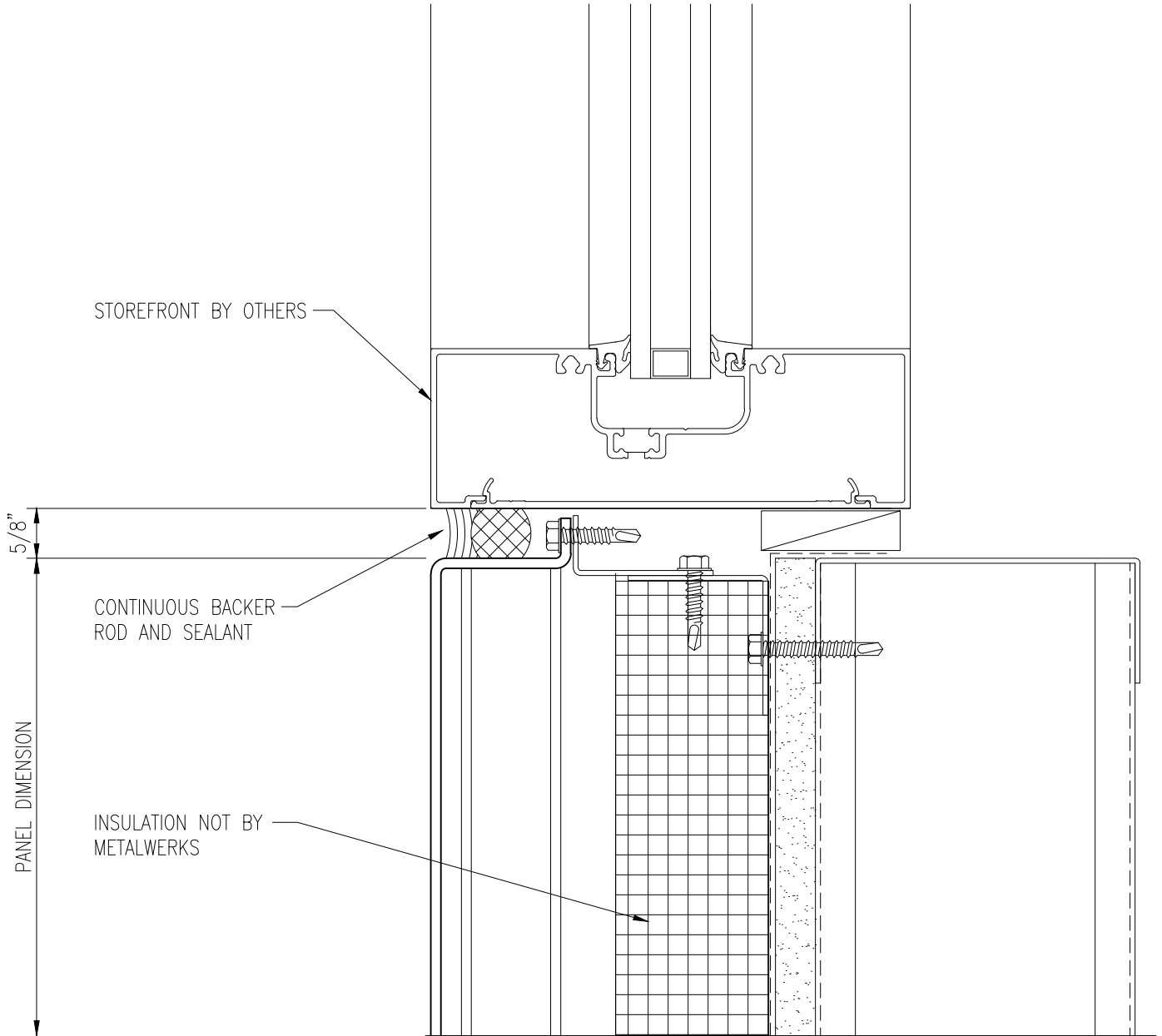
PRIMARY WALL CONSTRUCTION AND INSULATION NOT BY METALWERKS. 16 GAGE METAL STUDS MINIMUM REQUIRED

## 4) Panel Sill

PRIMARY WALL CONSTRUCTION AND INSULATION  
NOT BY METALWERKS. 16 GAGE METAL STUDS  
MINIMUM REQUIRED

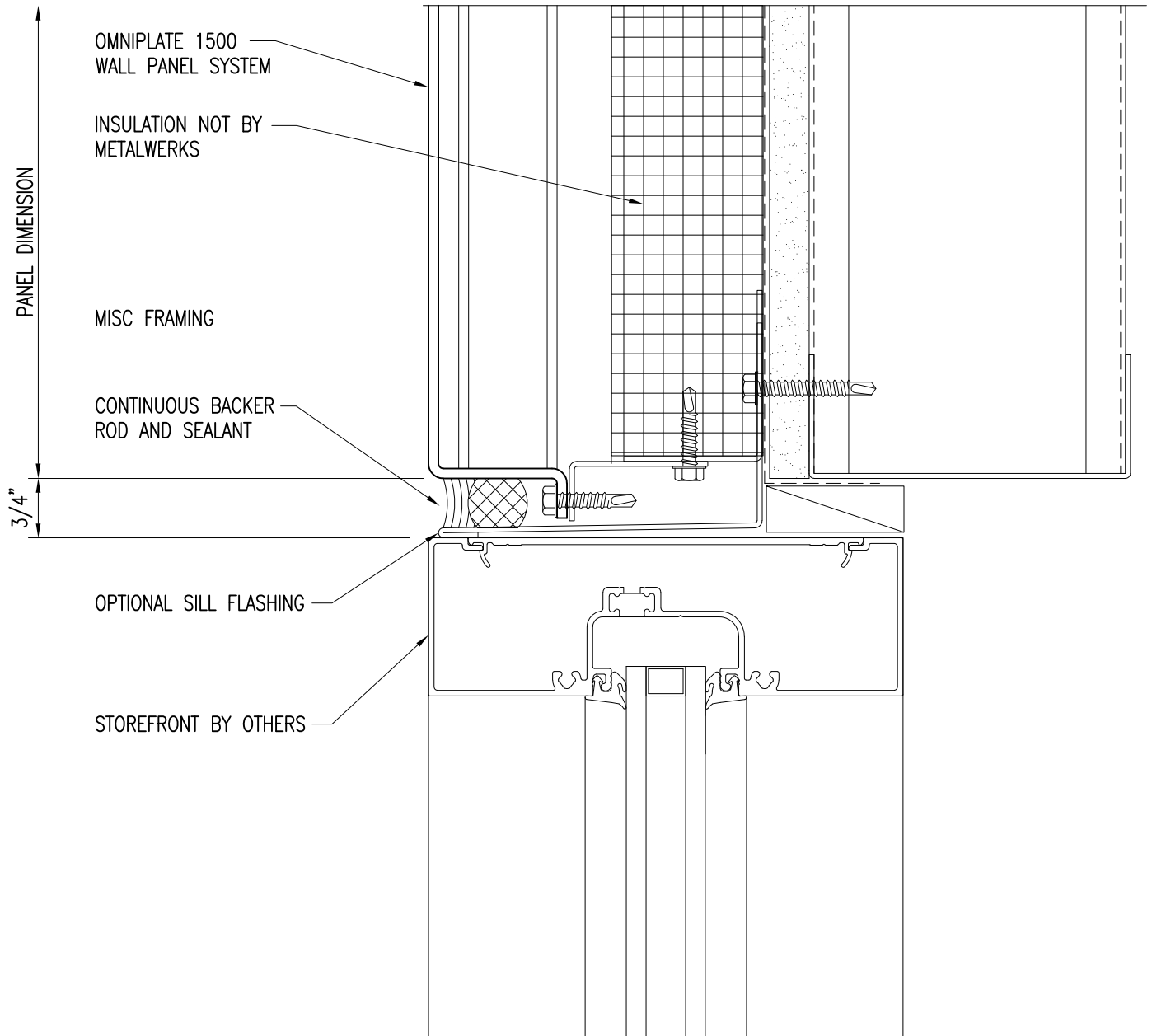


## 5) Panel Jamb Detail



PRIMARY WALL CONSTRUCTION AND INSULATION NOT BY METALWERKS. 16 GAGE METAL STUDS MINIMUM REQUIRED

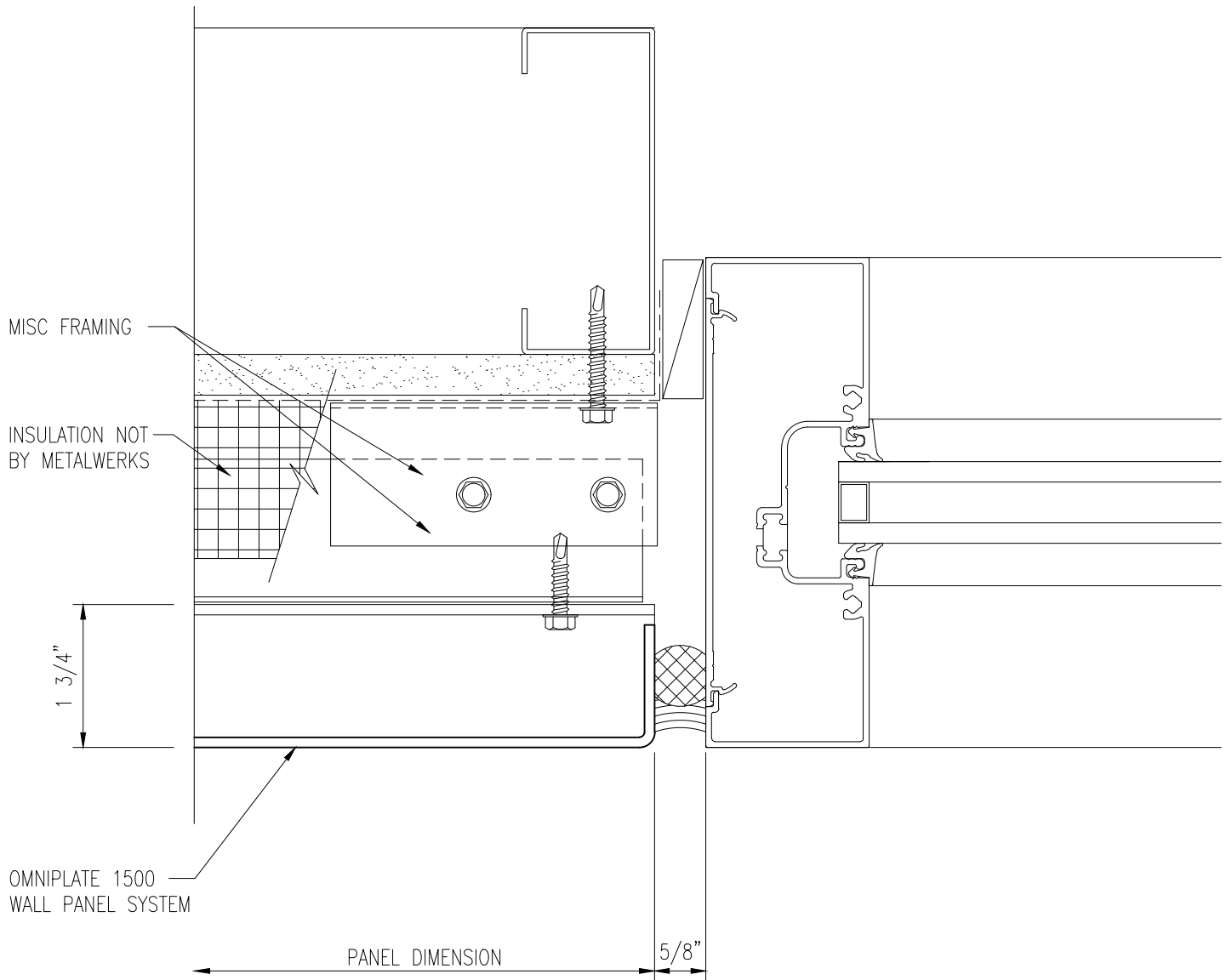
## 6) Storefront Sill



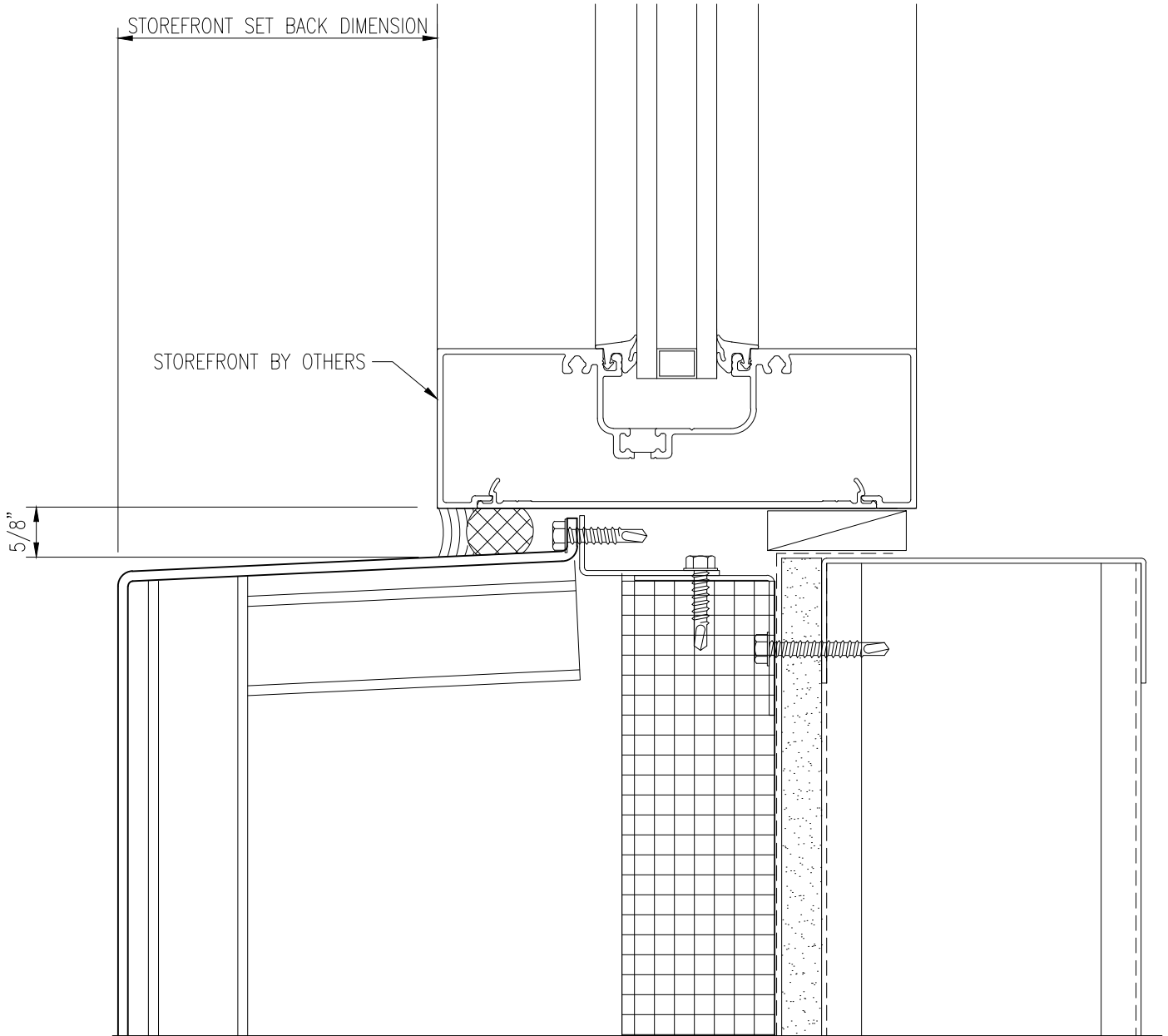
PRIMARY WALL CONSTRUCTION AND INSULATION NOT BY METALWERKS. 16 GAGE METAL STUDS MINIMUM REQUIRED

## 7) Storefront Head

PRIMARY WALL CONSTRUCTION AND INSULATION  
NOT BY METALWERKS. 16 GAGE METAL STUDS  
MINIMUM REQUIRED

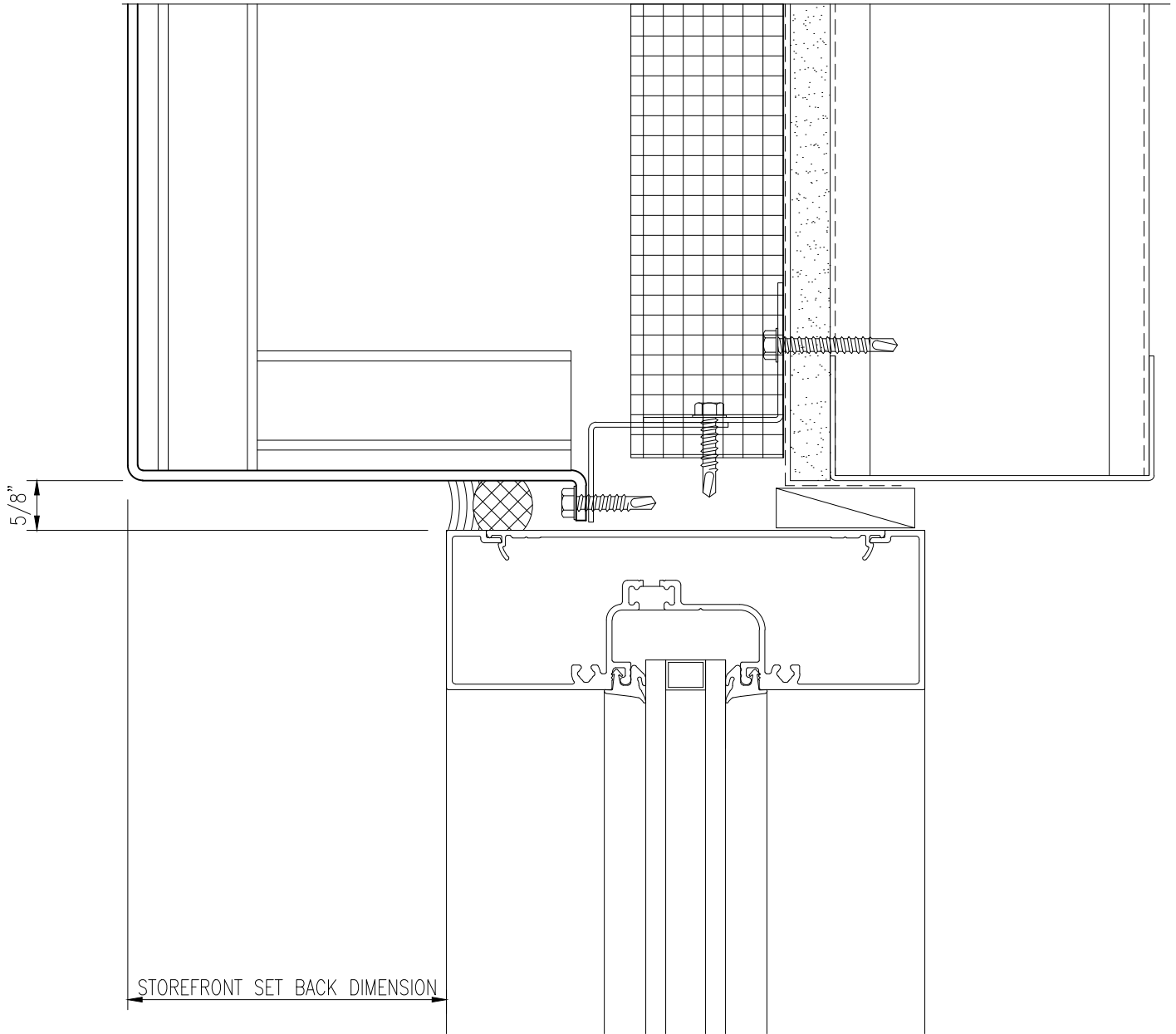


## 8) Storefront Jamb



PRIMARY WALL CONSTRUCTION AND INSULATION  
NOT BY METALWERKS. 16 GAGE METAL STUDS  
MINIMUM REQUIRED

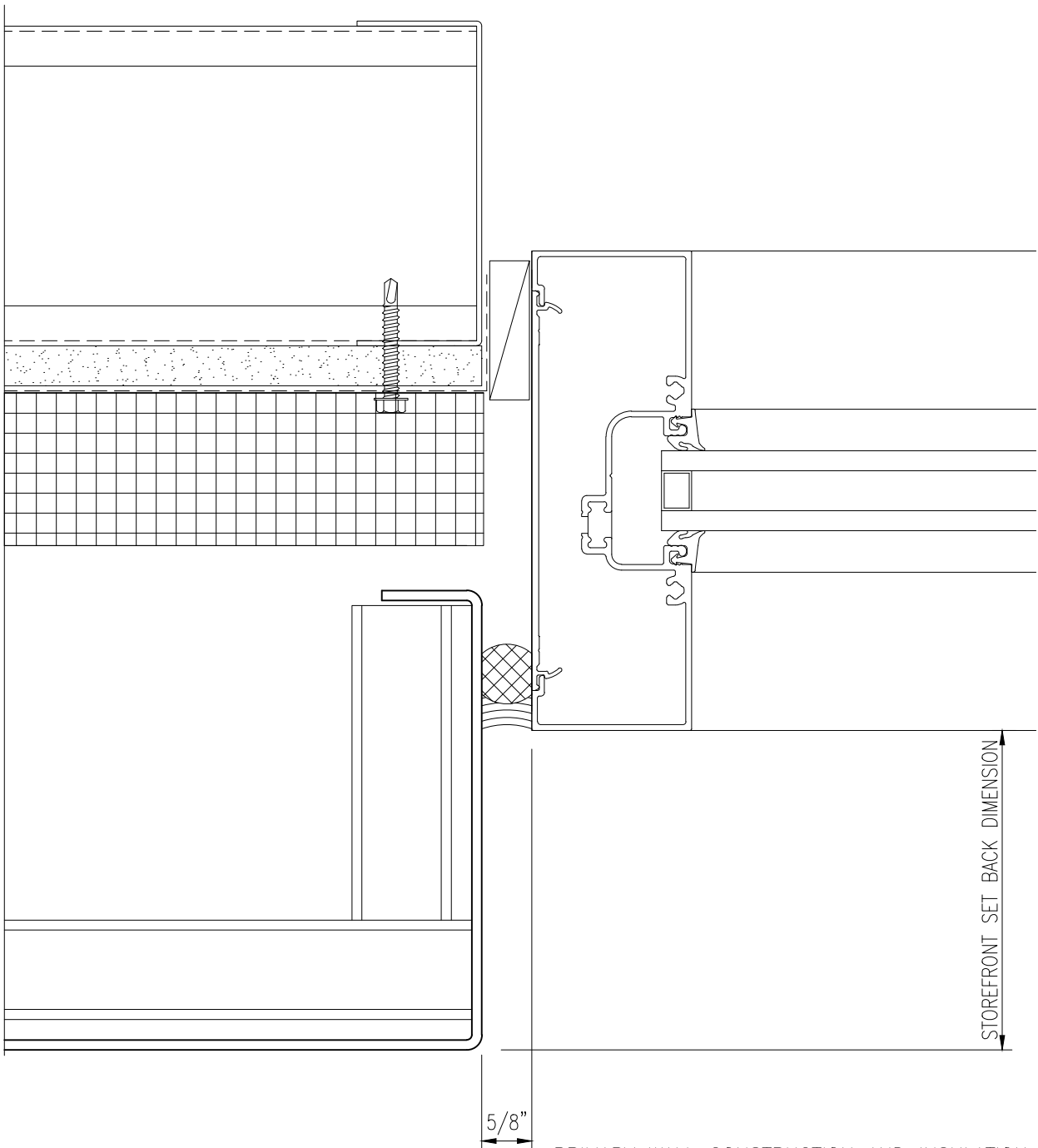
## 9) Recessed Storefront Sill



PRIMARY WALL CONSTRUCTION AND INSULATION  
NOT BY METALWERKS. 16 GAGE METAL STUDS  
MINIMUM REQUIRED

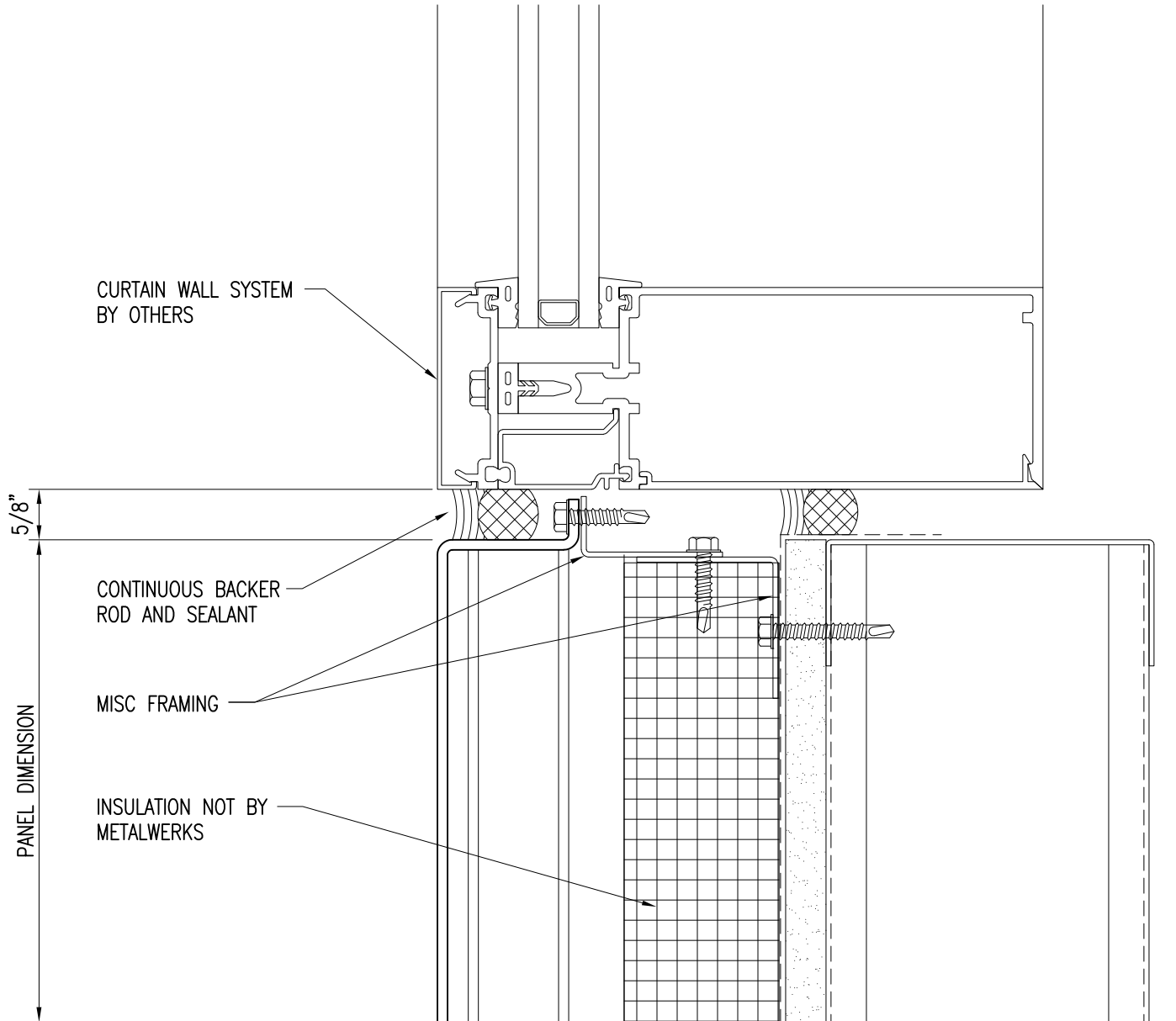
## 10) Recessed Storefront Head





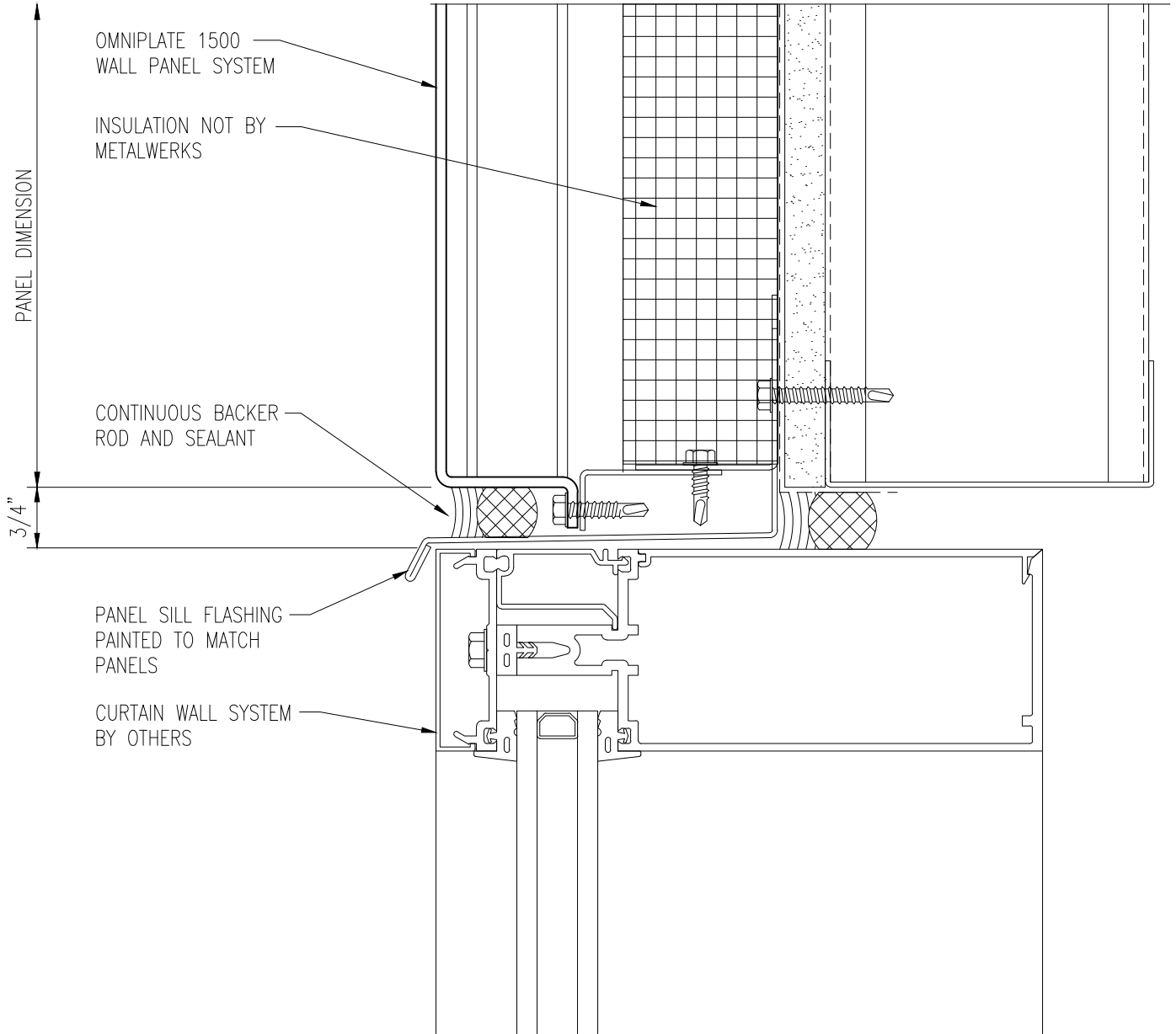
PRIMARY WALL CONSTRUCTION AND INSULATION NOT BY METALWERKS. 16 GAGE METAL STUDS MINIMUM REQUIRED

## 11) Recessed Storefront Jamb



PRIMARY WALL CONSTRUCTION AND INSULATION NOT BY METALWERKS. 16 GAGE METAL STUDS MINIMUM REQUIRED

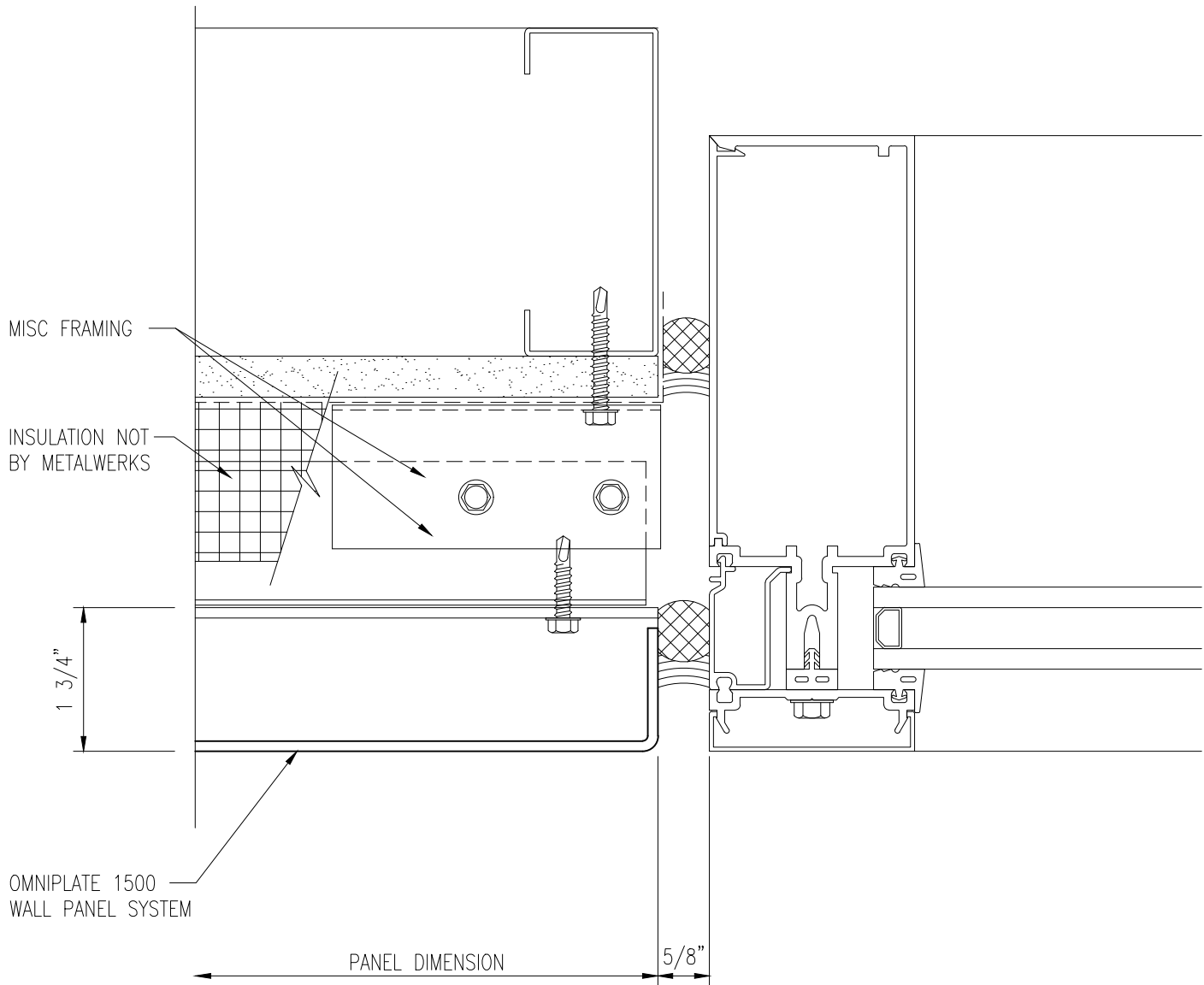
## 12) Curtain Wall Sill



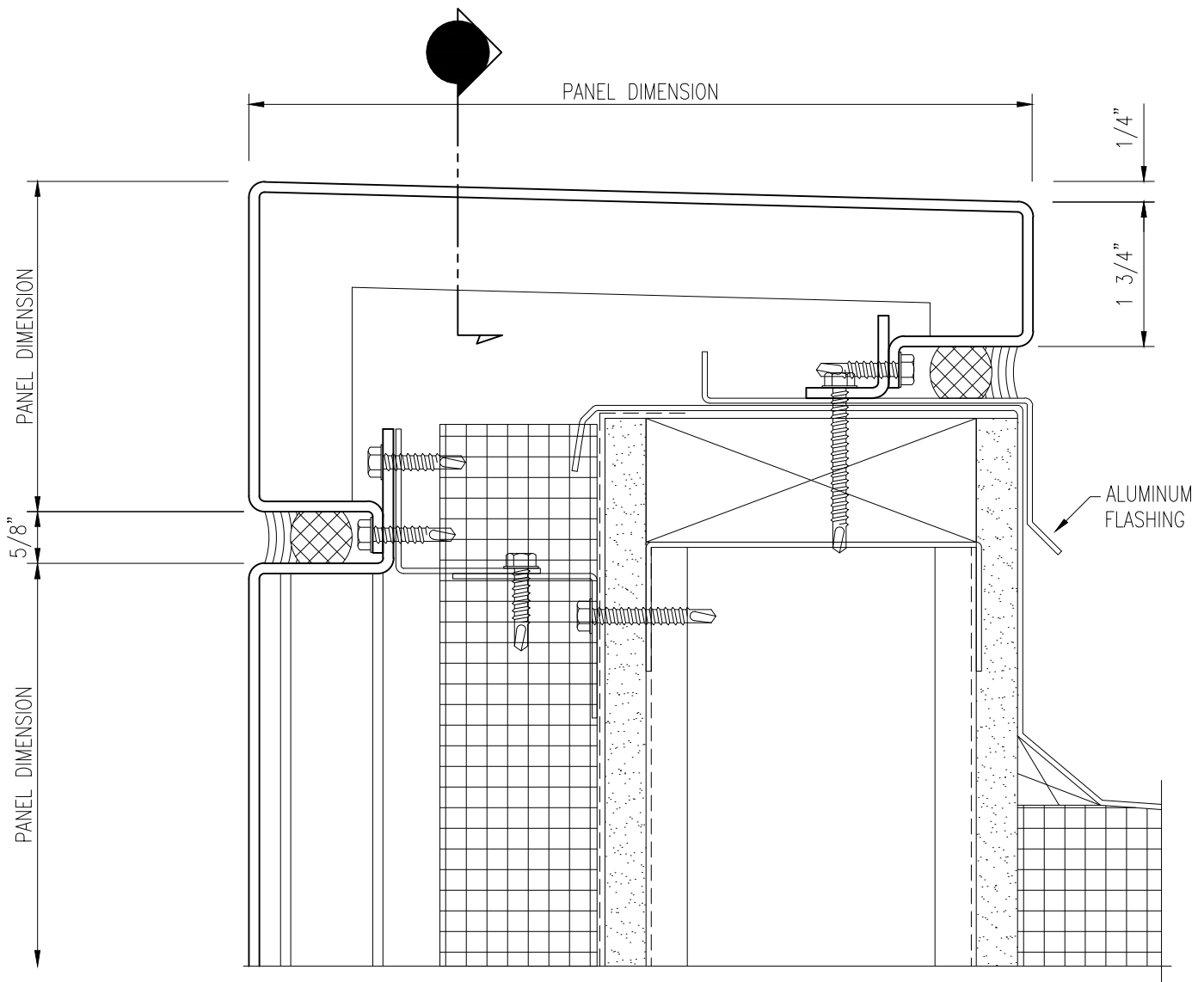
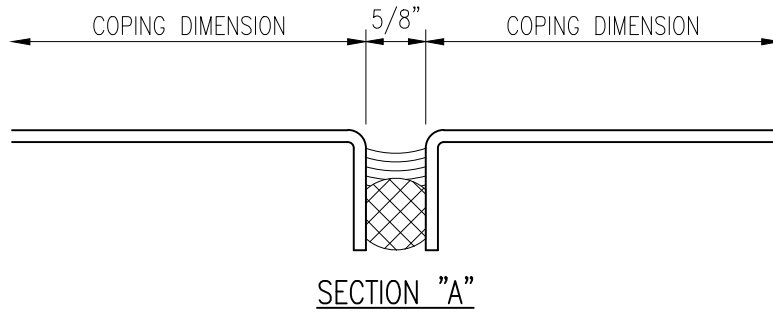
PRIMARY WALL CONSTRUCTION AND INSULATION NOT BY METALWERKS. 16 GAGE METAL STUDS MINIMUM REQUIRED

## 13) Curtain Wall Sill

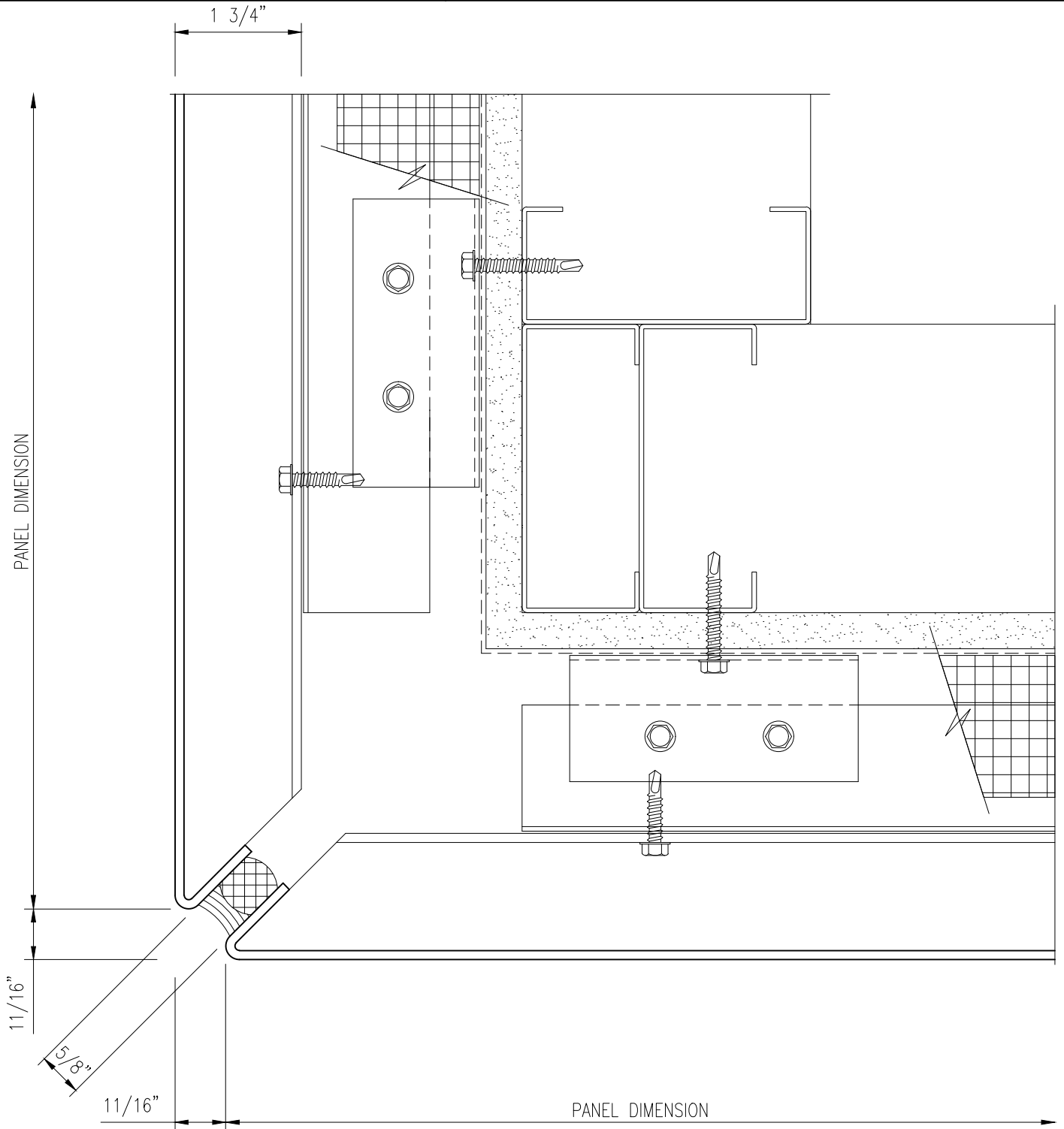
PRIMARY WALL CONSTRUCTION AND INSULATION  
NOT BY METALWERKS. 16 GAGE METAL STUDS  
MINIMUM REQUIRED



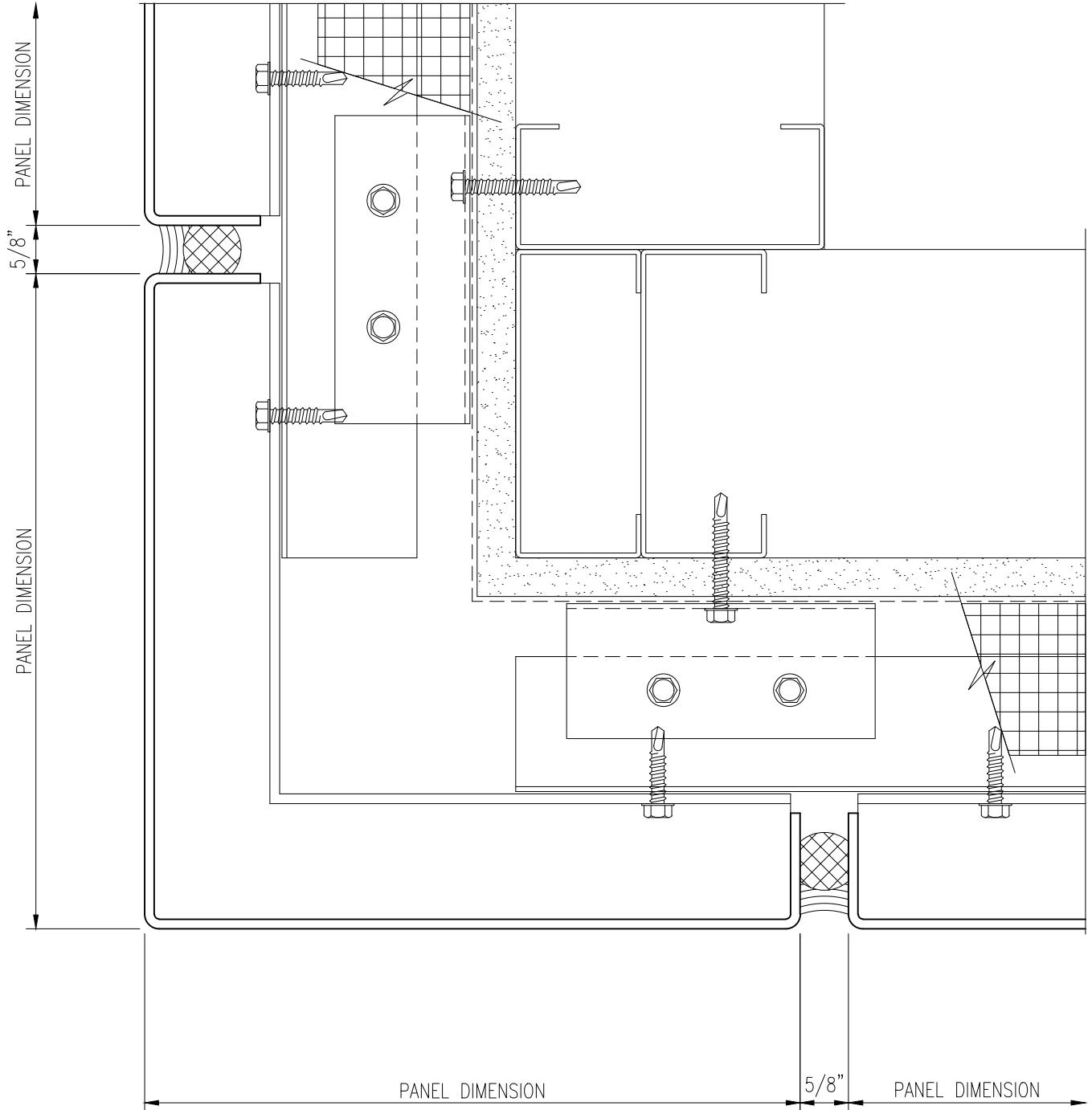
## 14) Curtain Wall Jamb



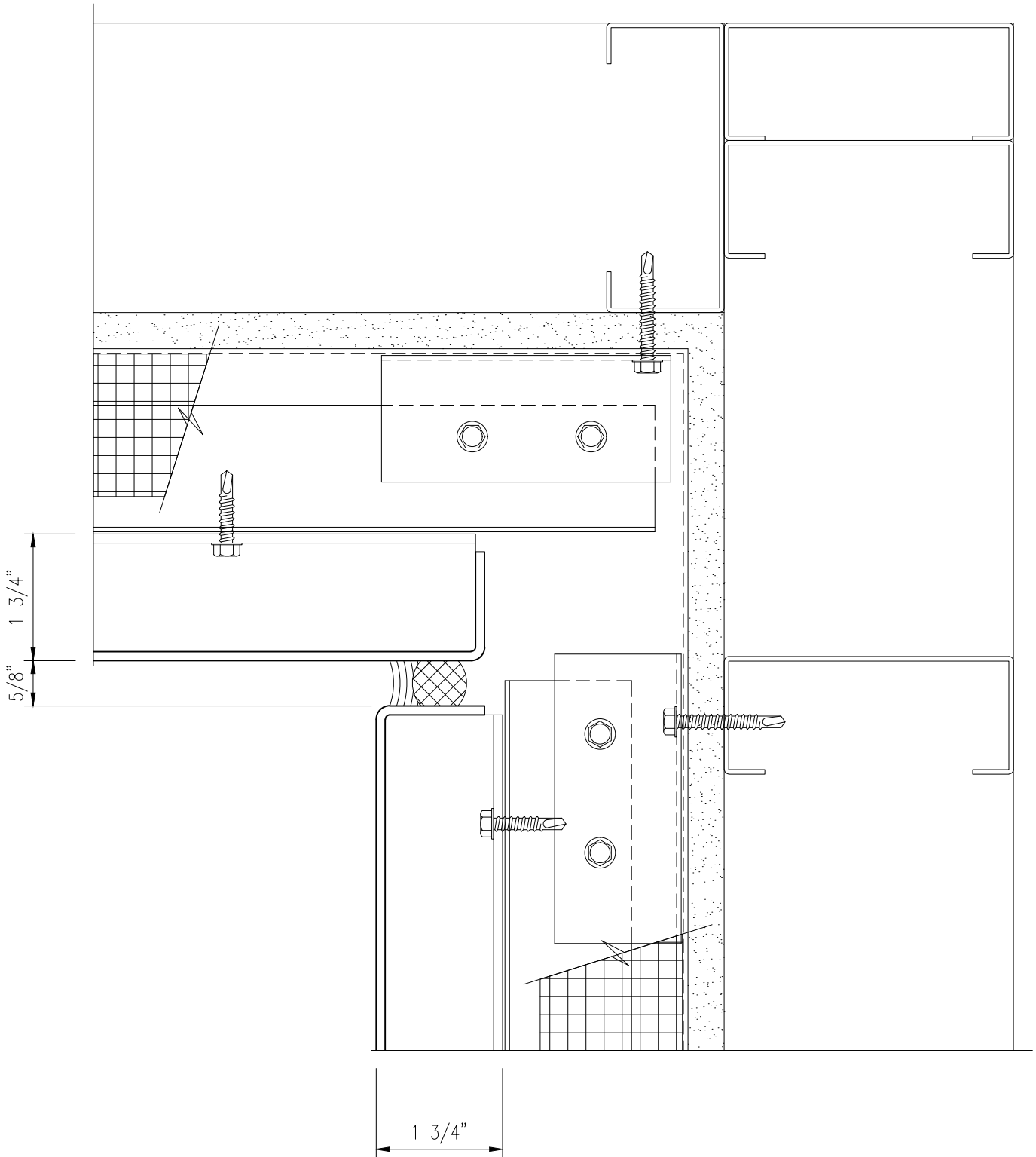
## 15) Coping



## 16) Standard Exterior Detail

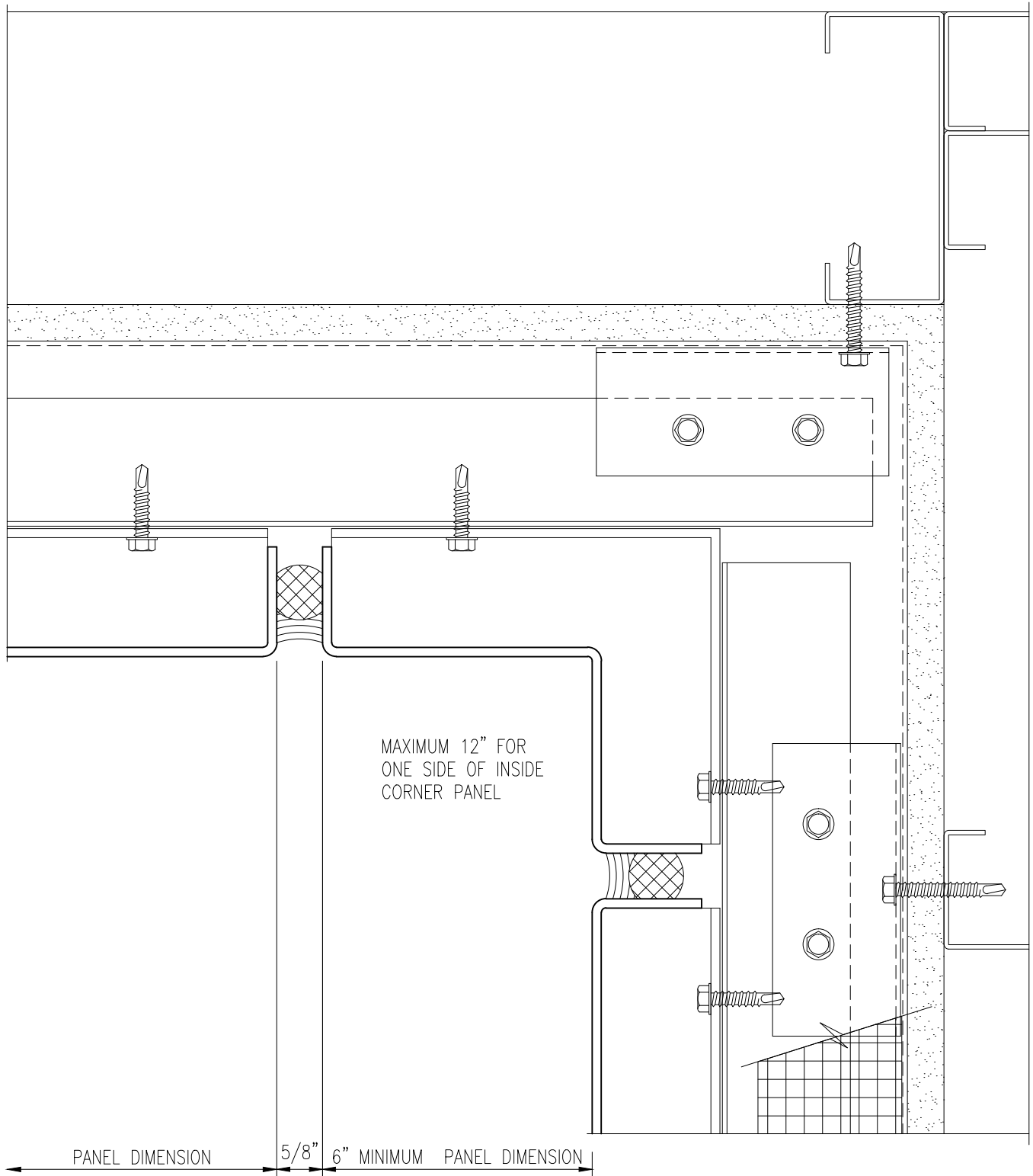


## 17) Exterior Detail w/ Optional Mitered Panel



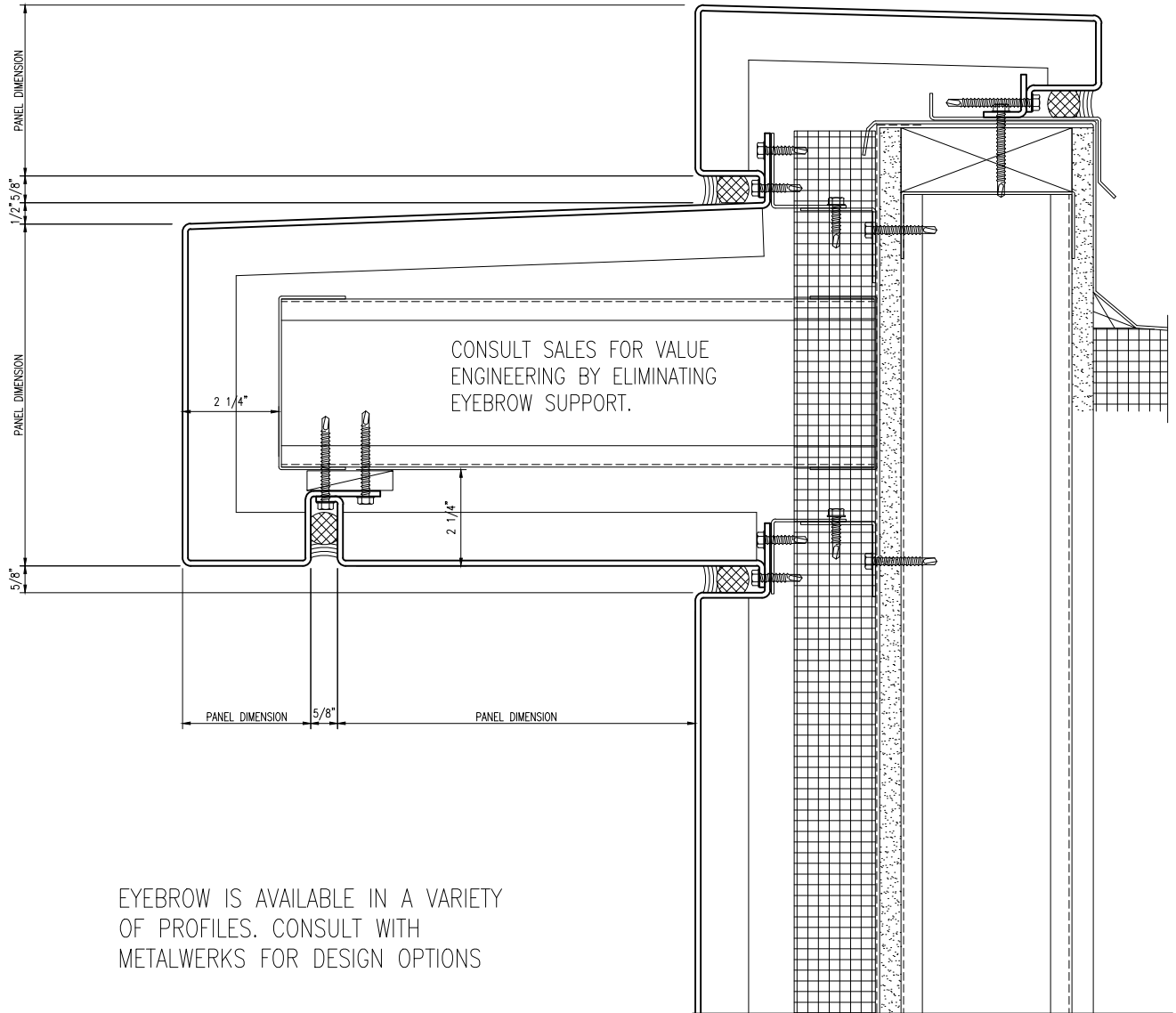
## 18) Standard Inside Corner





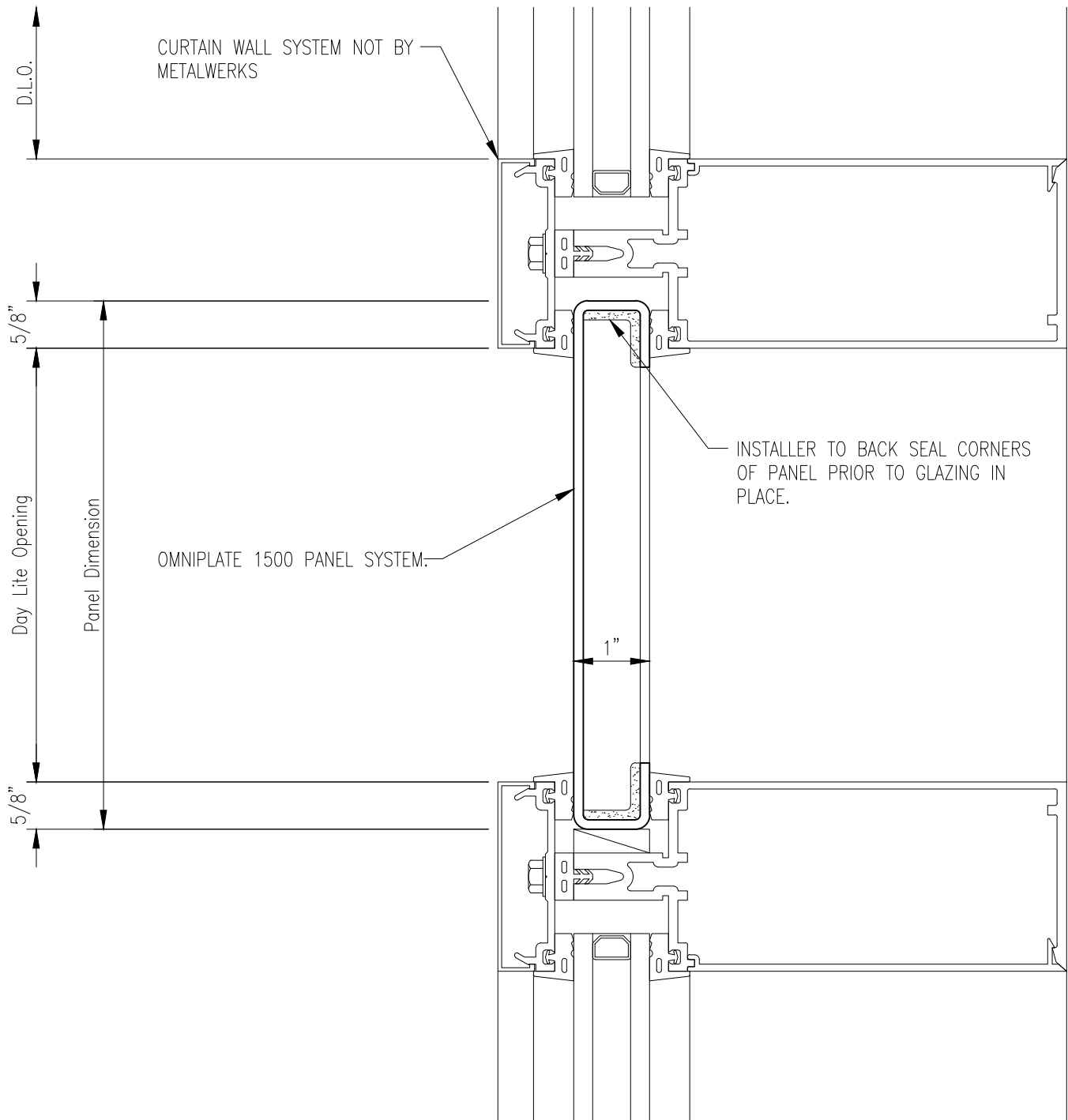
## 19) Inside Corner w/ Optional Mitered Panel

SEE DETAIL 15 FOR COPING NOTES

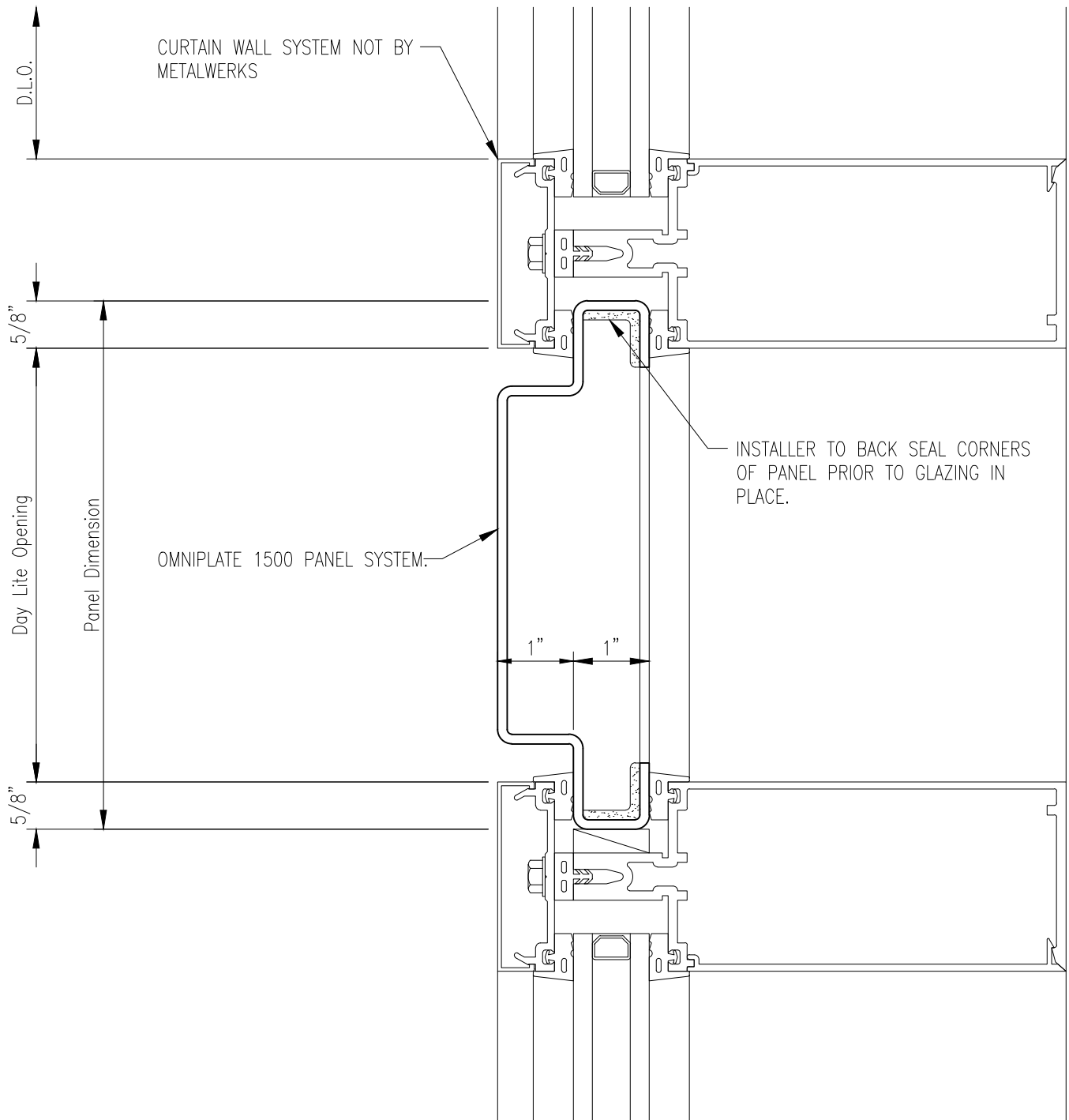


EYEBROW IS AVAILABLE IN A VARIETY OF PROFILES. CONSULT WITH METALWERKS FOR DESIGN OPTIONS

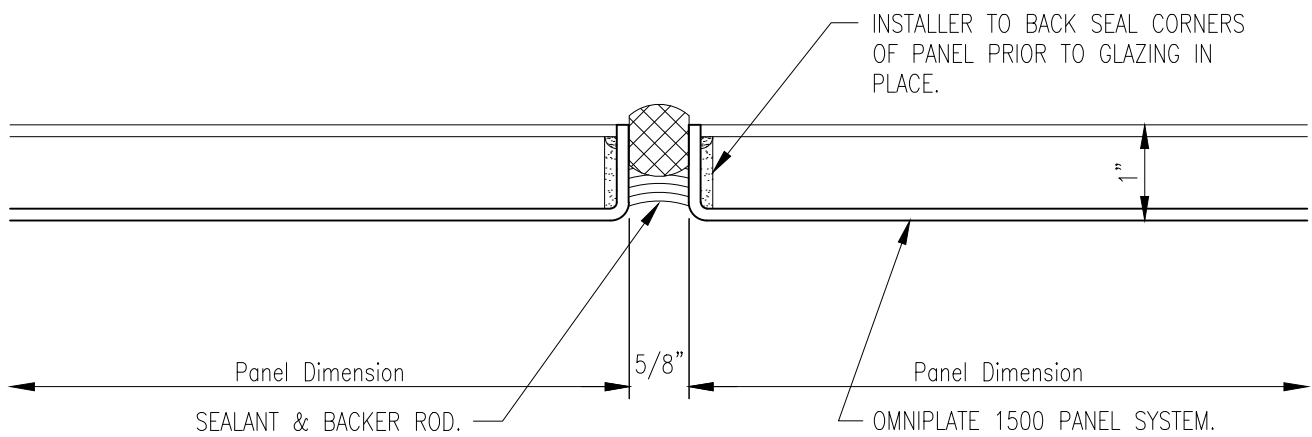
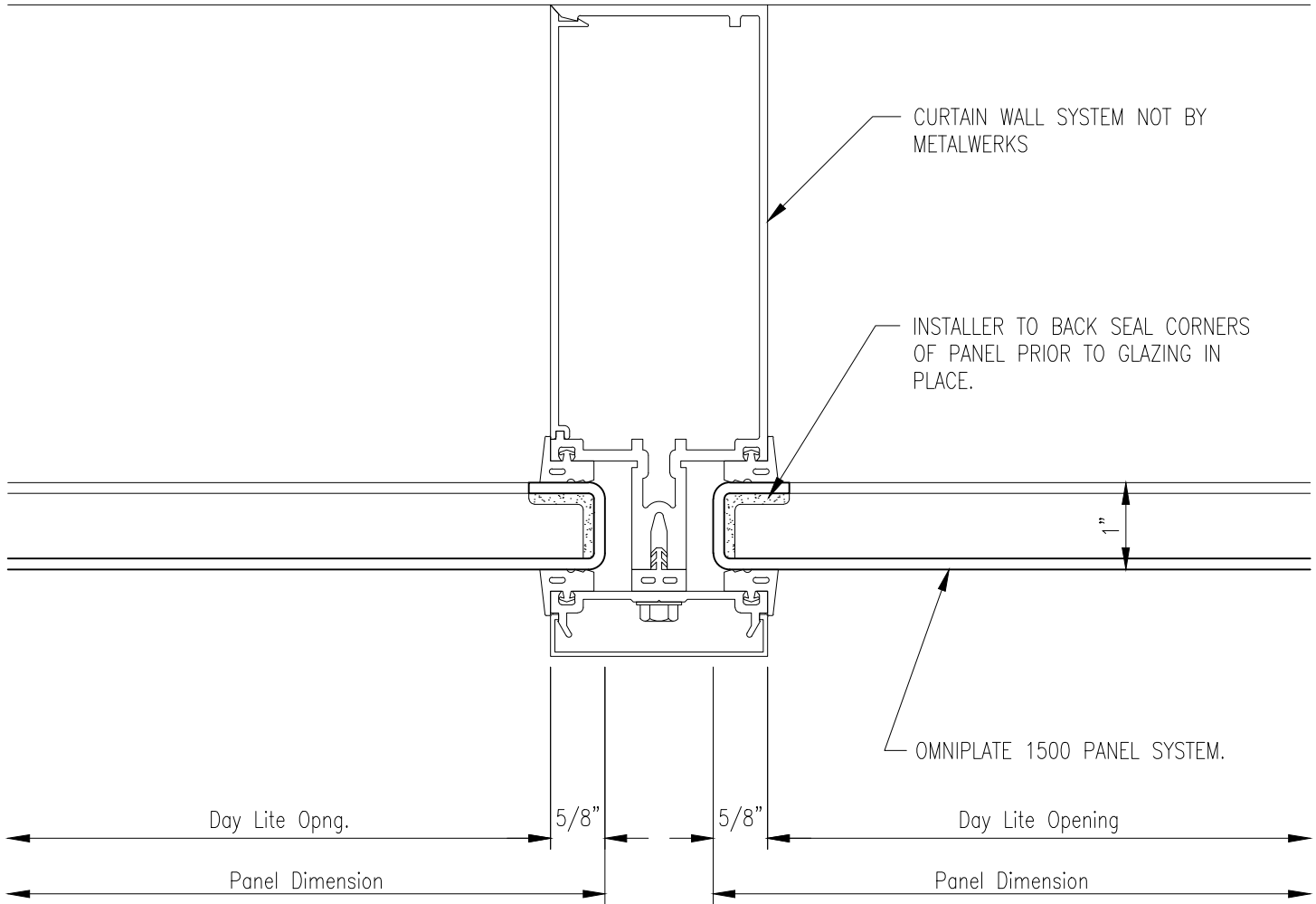
## 20) Eyebrow Detail



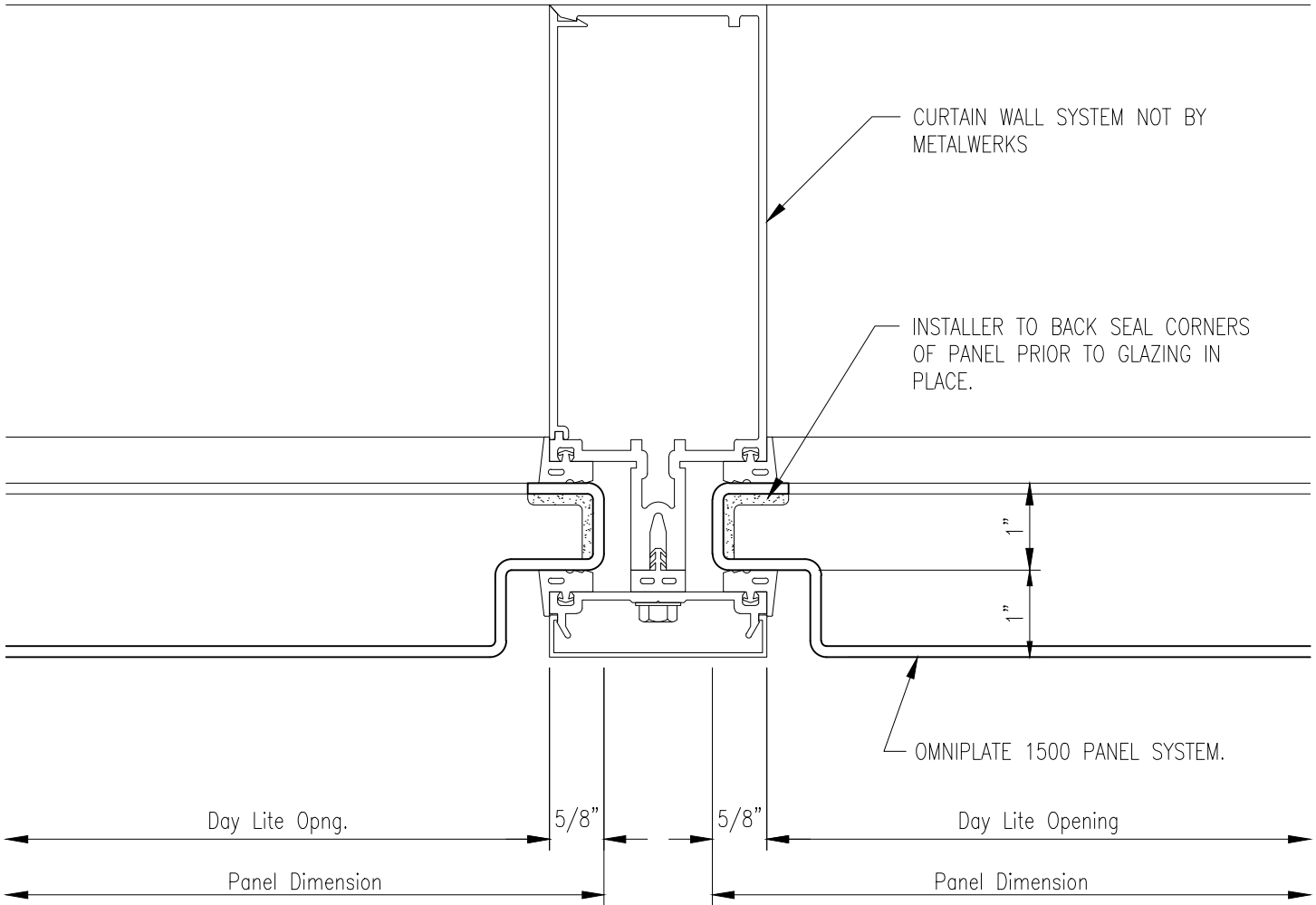
## 21) Glazed In Panel Section Detail



## 22) Flush Face Glazed In Panel Section Detail



## 23) Glazed In Panel Plan Detail



## 24) Flush Face Glazed In Panel Plan Detail