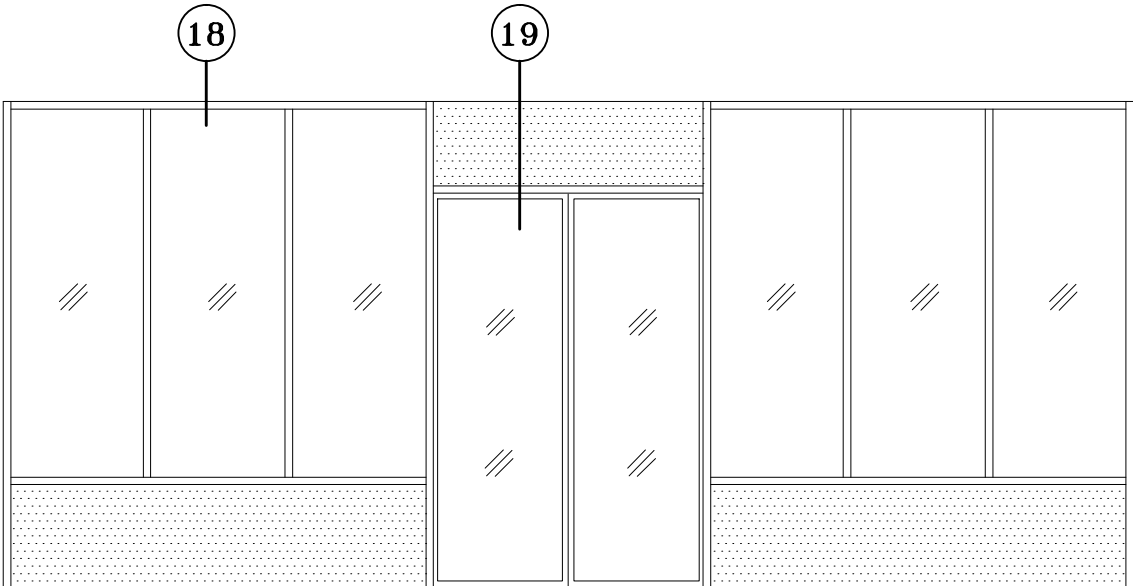


TABLE OF CONTENTS:

DETAIL 1- HORIZONTAL JOINT
 DETAIL 2- VERTICAL JOINT
 DETAIL 3- BASE AT ROOF
 DETAIL 4- BASE AT GROUND
 DETAIL 5- CURTAINWALL SILL
 DETAIL 6- CURTAINWALL HEAD
 DETAIL 7- CURTAINWALL JAMB
 DETAIL 8- INSIDE CORNER AT WINDOW
 DETAIL 9- COPING
 DETAIL 10 - COPING AT CURTAINWALL

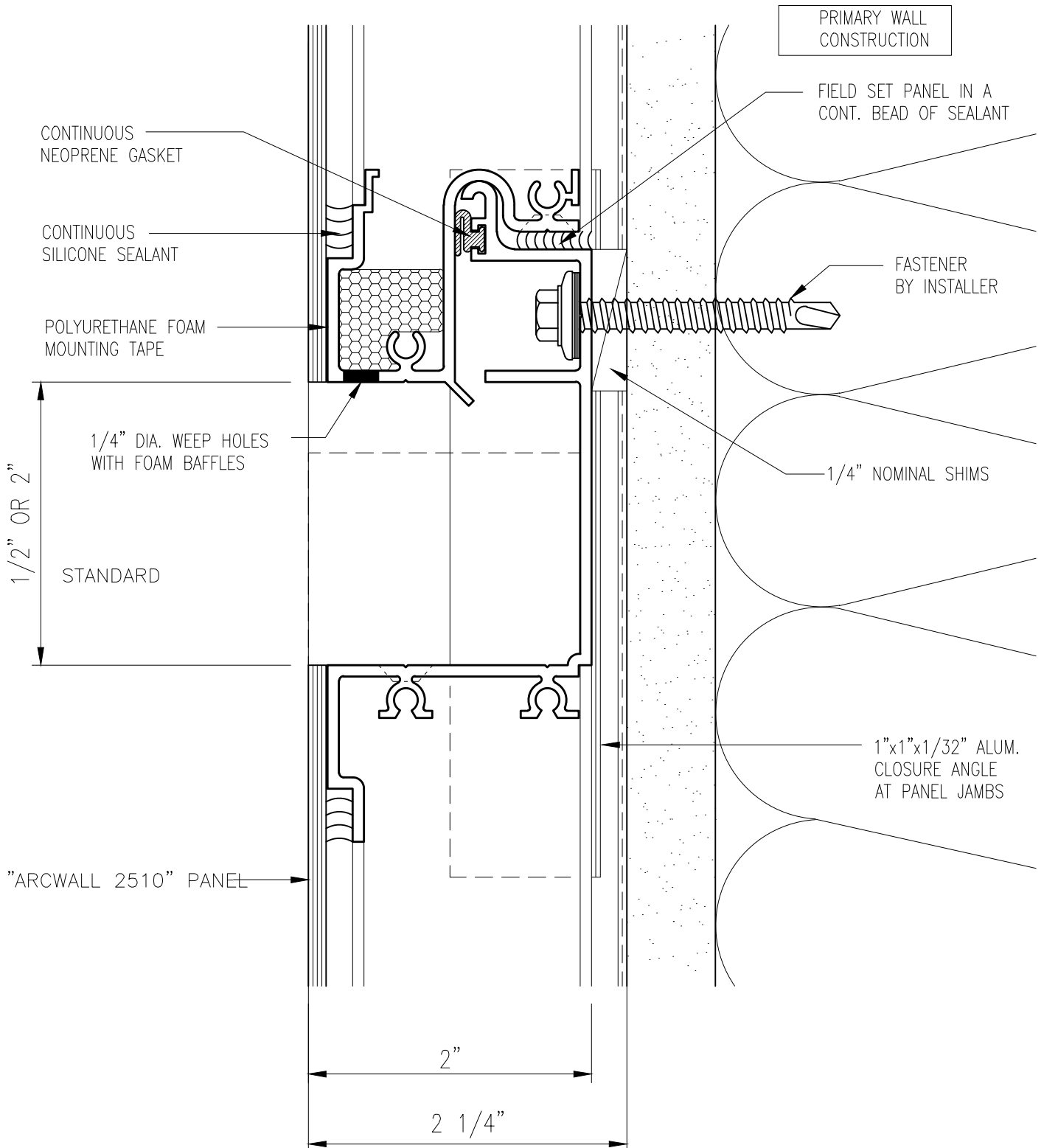
DETAIL 11- SILL/SOFFT TRANSITION
 DETAIL 12- 90° INSIDE CORNER
 DETAIL 13- 90° OUTSIDE CORNER
 DETAIL 14- EXPANSION JOINT
 DETAIL 15- ENDWALL
 DETAIL 16- LOUVER SILL
 DETAIL 17- LOUVER HEAD
 DETAIL 18- STOREFRONT HEAD
 DETAIL 19- STOREFRONT TRANSOM



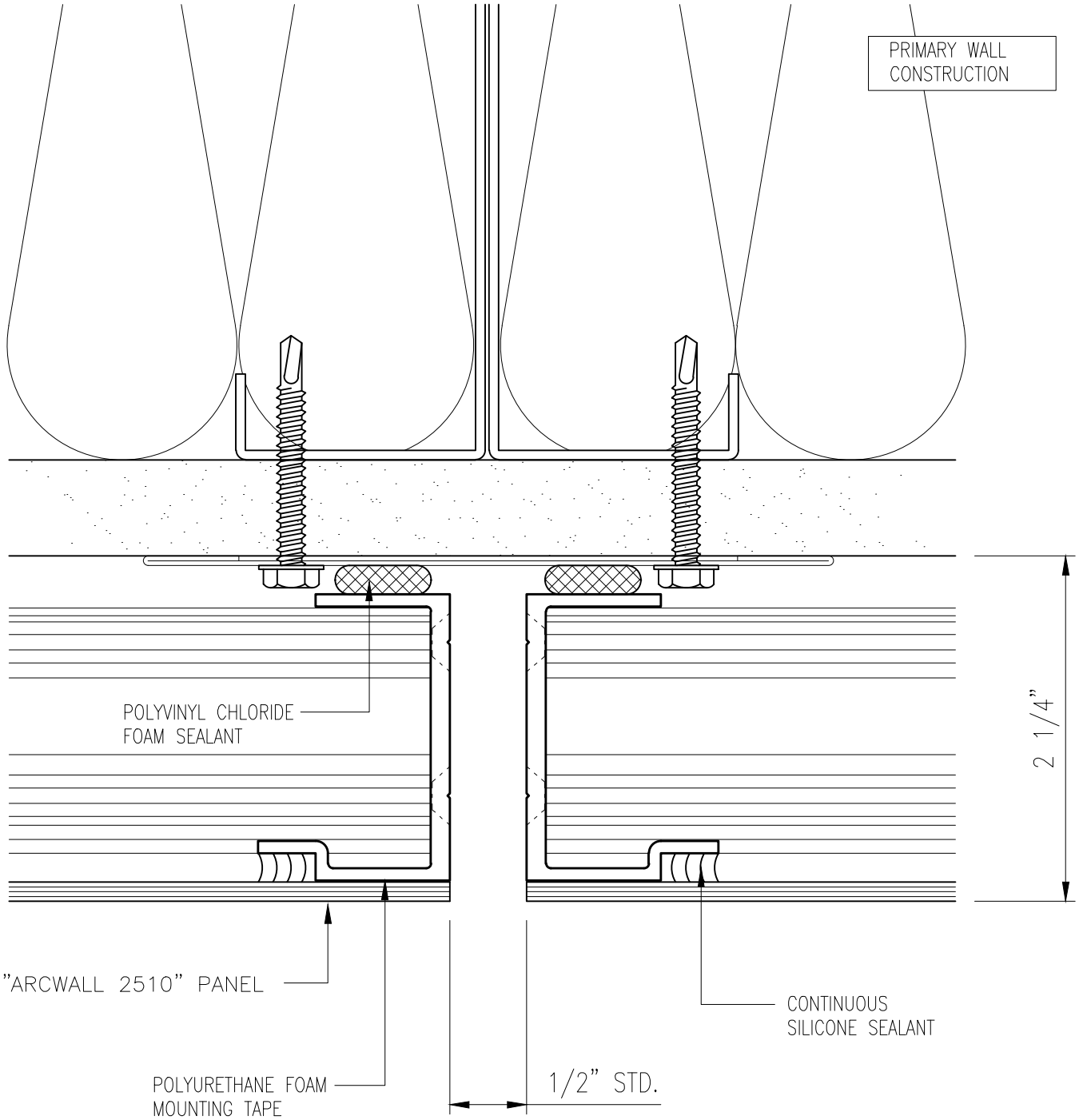
MENU

DETAIL 18- STOREFRONT HEAD
DETAIL 19- STOREFRONT TRANSOM

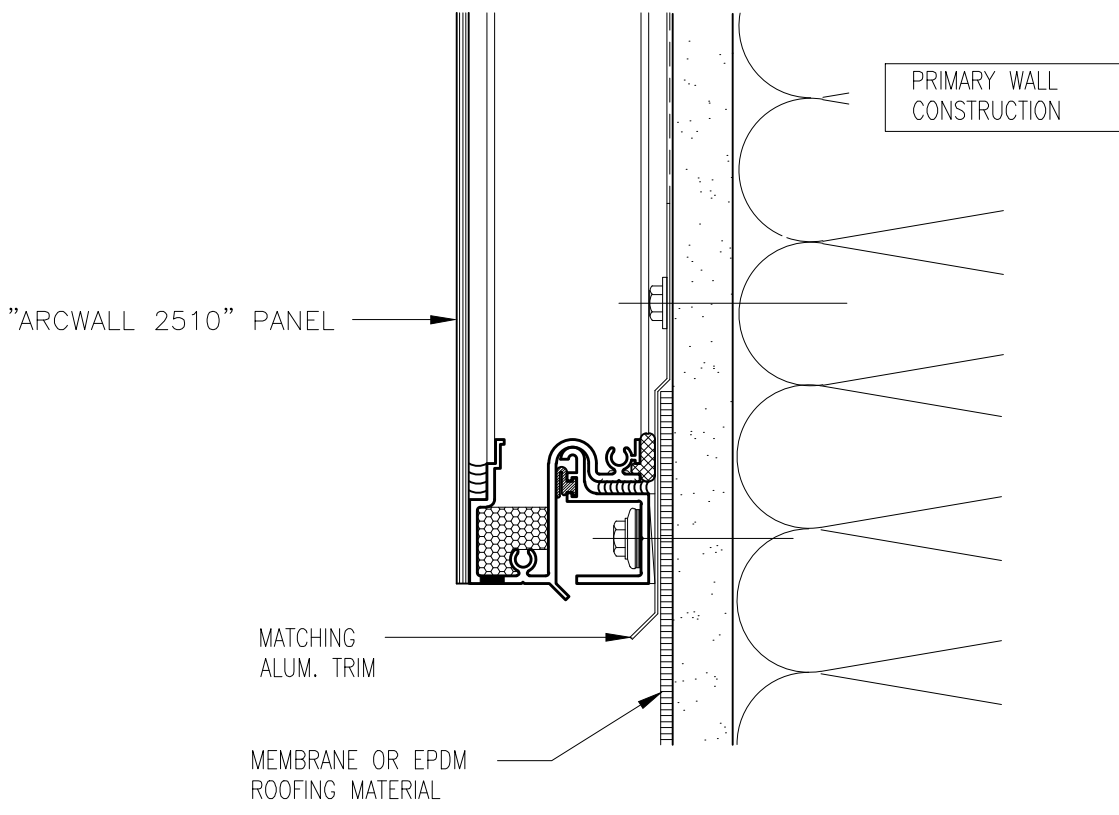
Entry Elevation



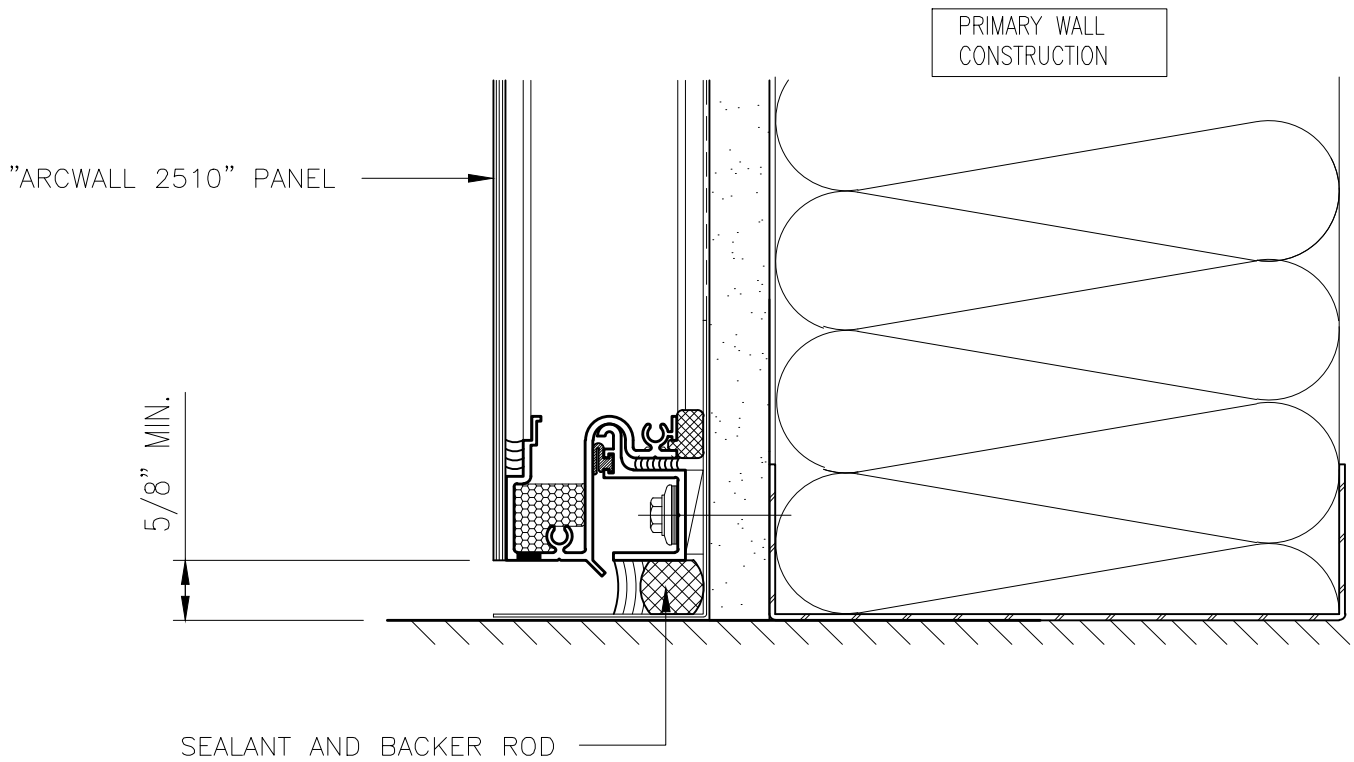
1) Horizontal Joint



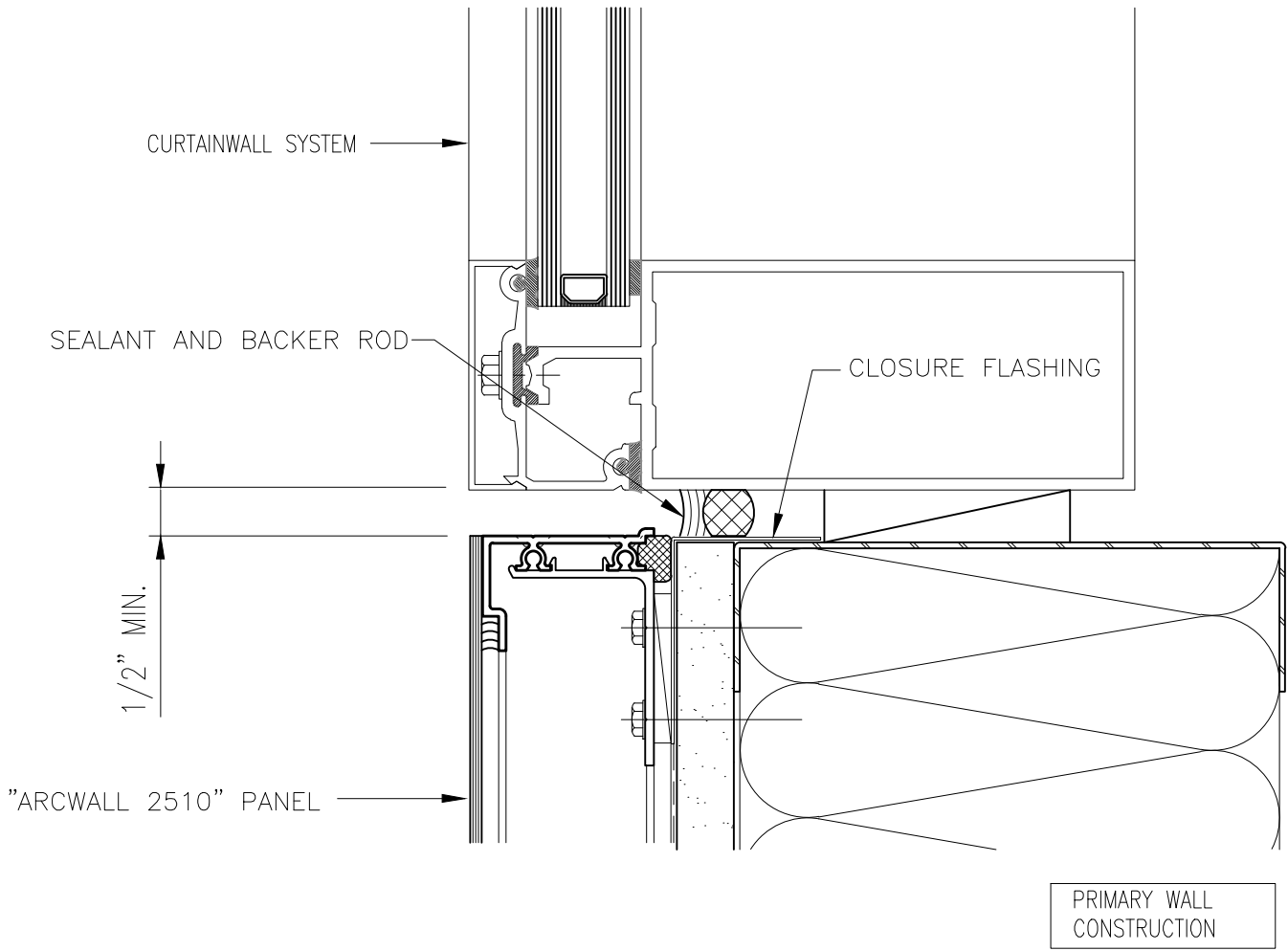
2) Vertical Joint



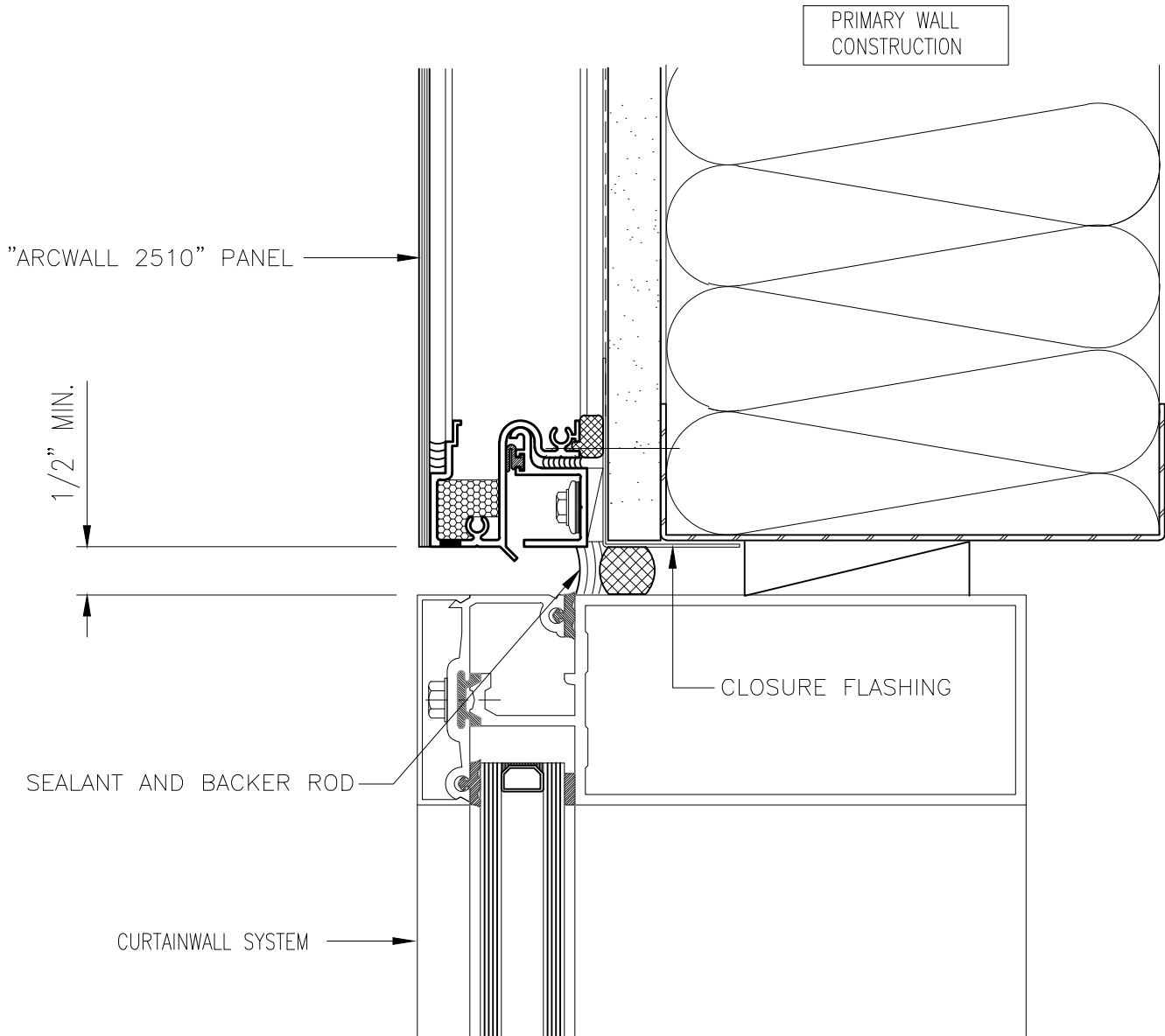
3) Base at Roof



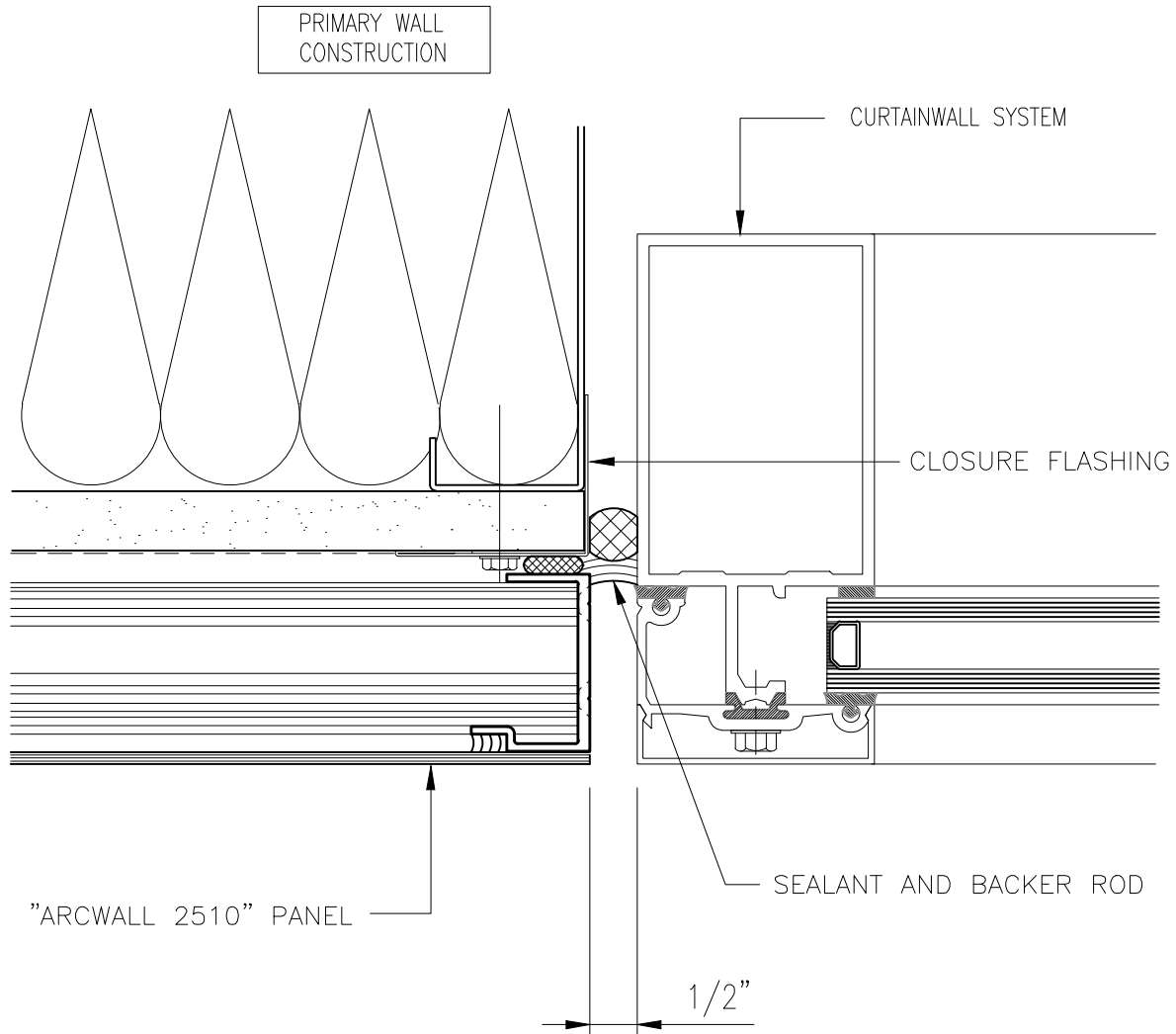
4) Base at Ground



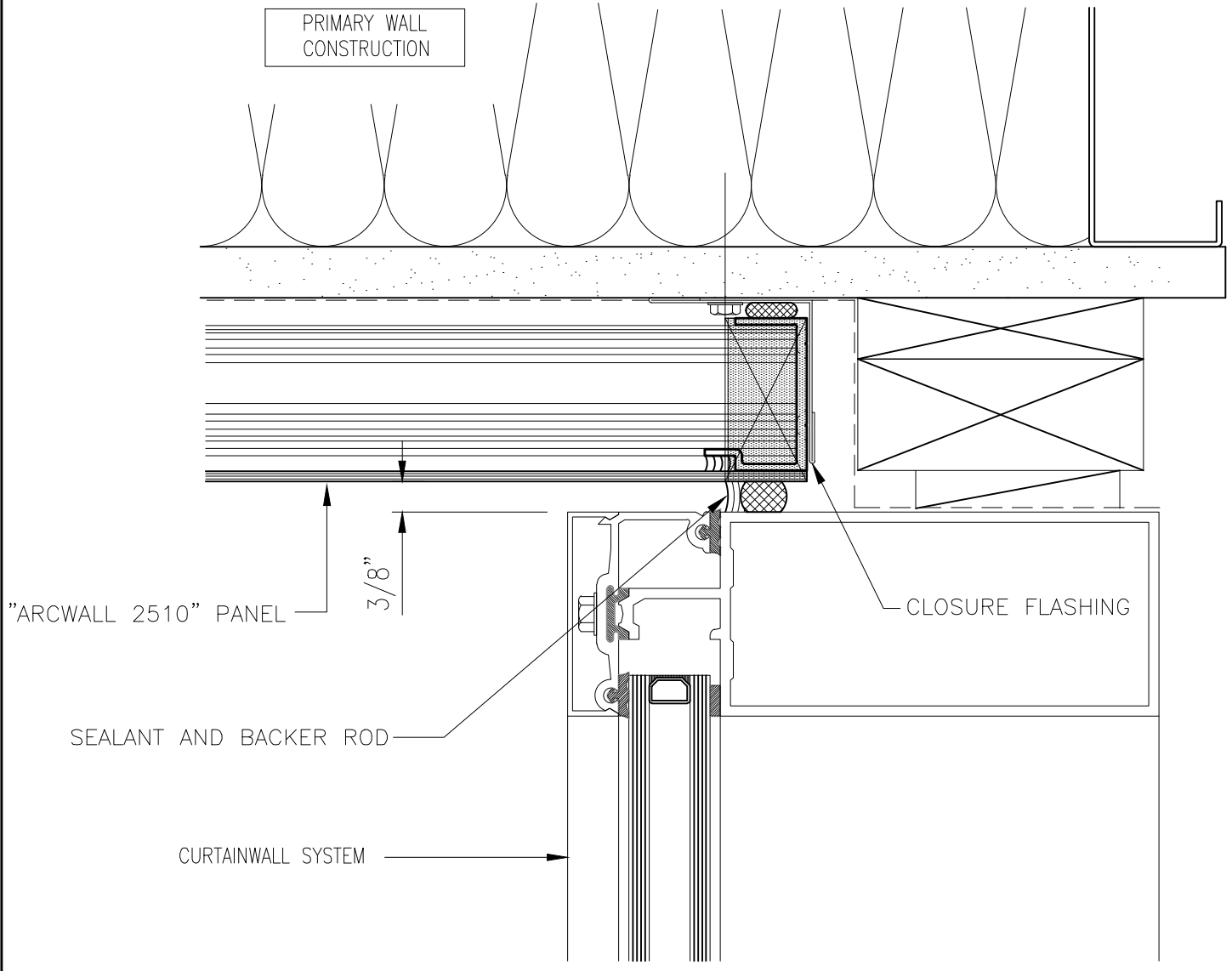
5) Curtainwall Sill



6) Curtainwall Head

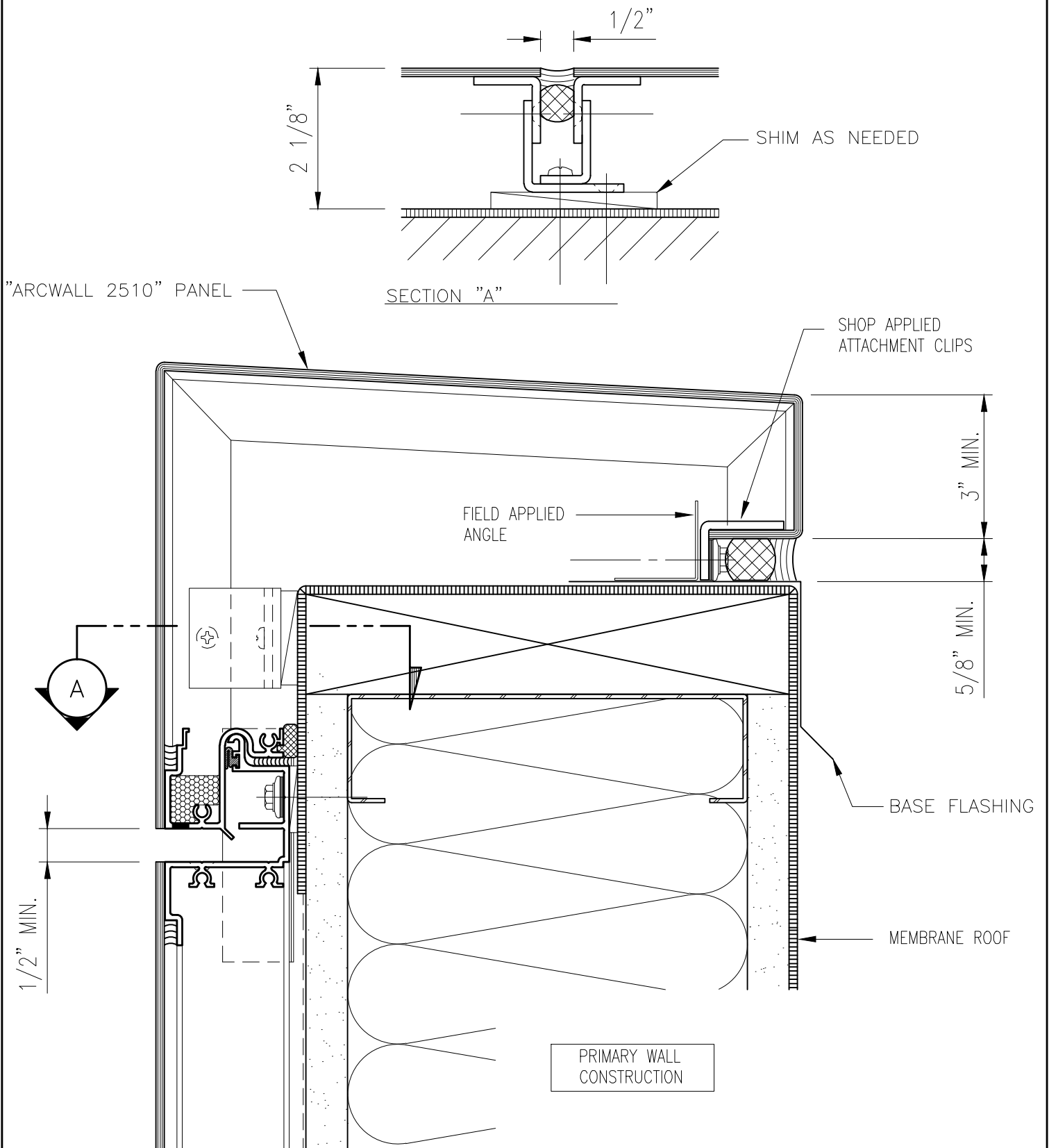


7) Curtainwall Jamb

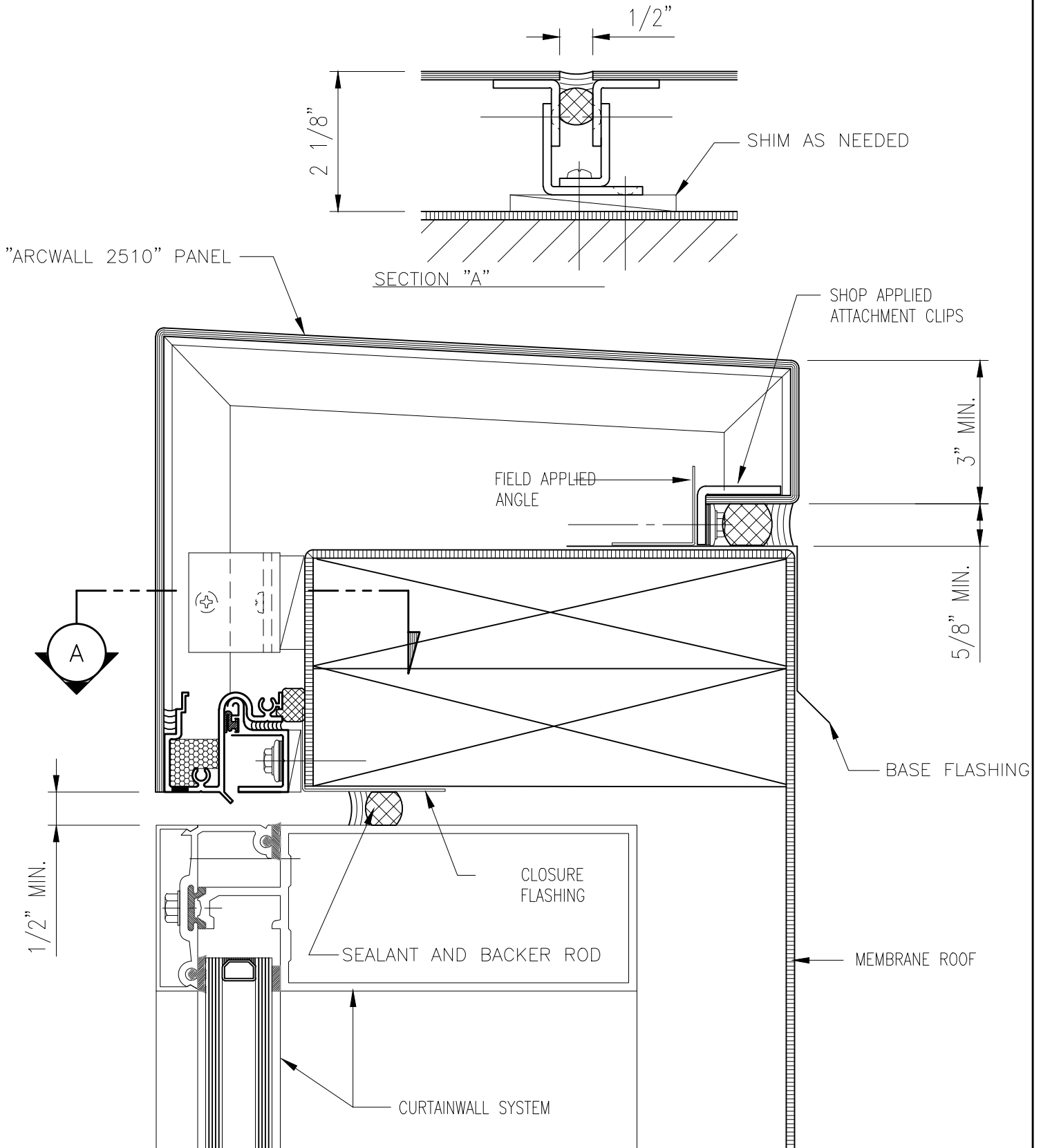


8) Inside Corner at Window

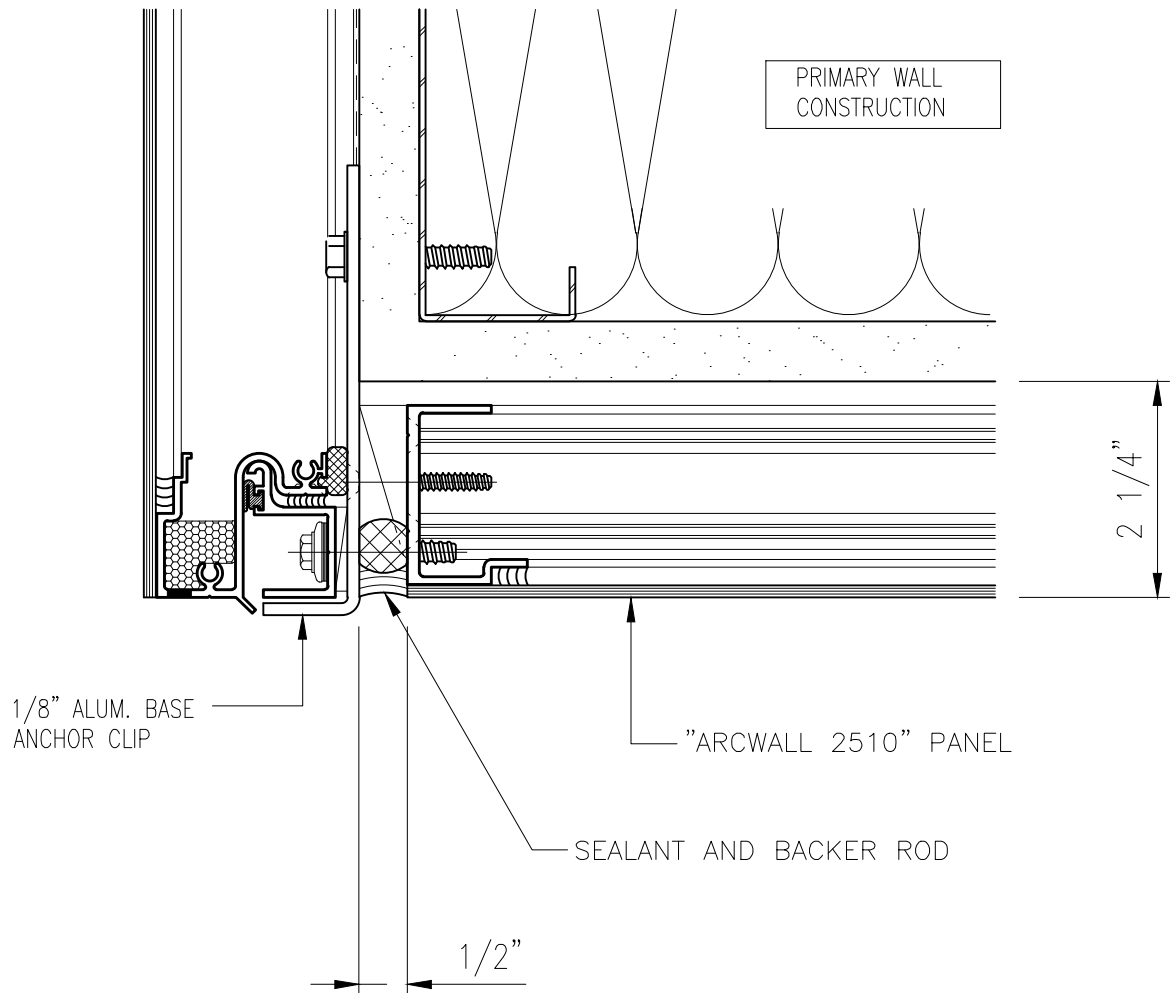
ARCWALL 2510
TYPICAL DETAILS
BARRIER WALL PANEL SYSTEM



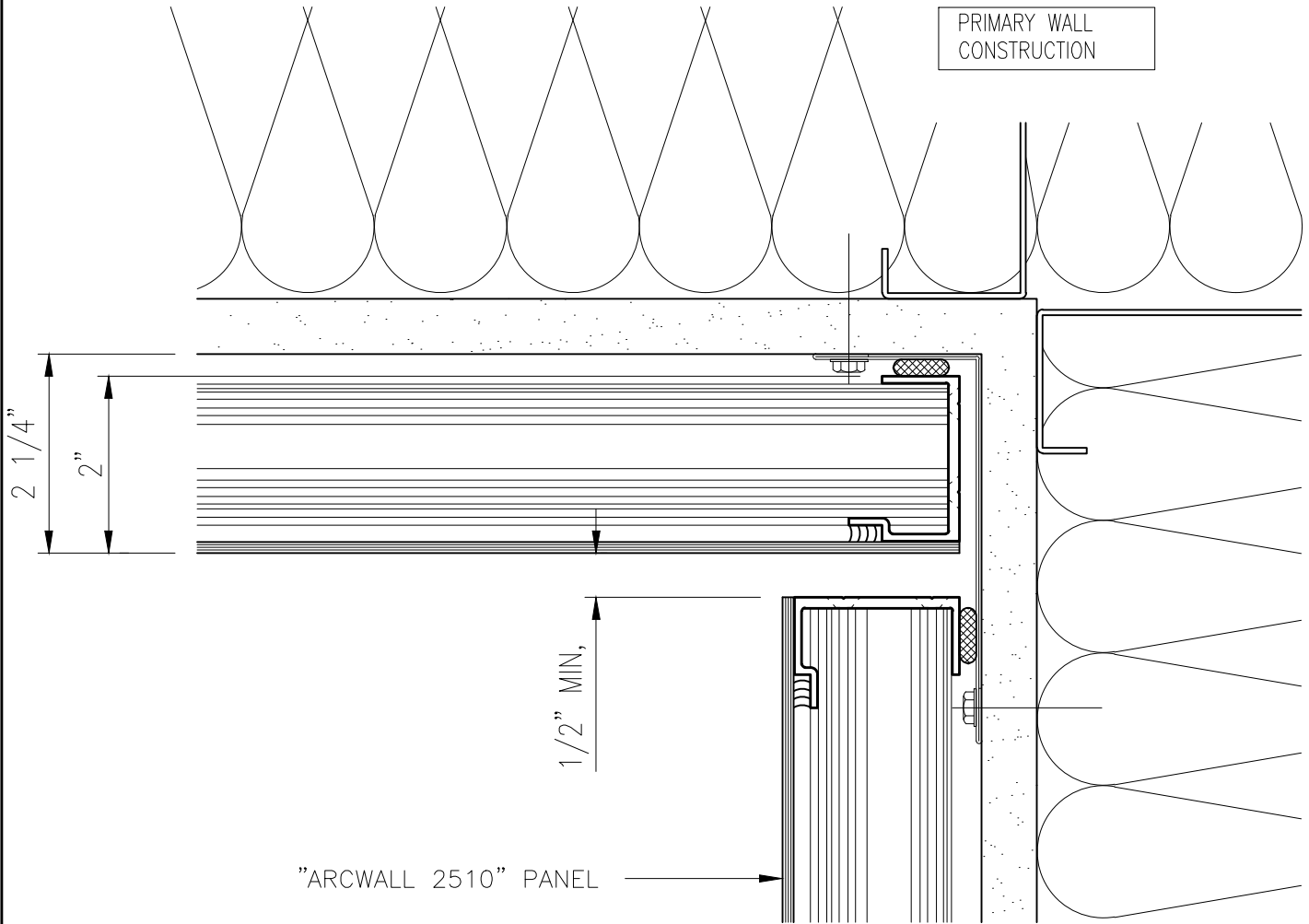
9) Coping



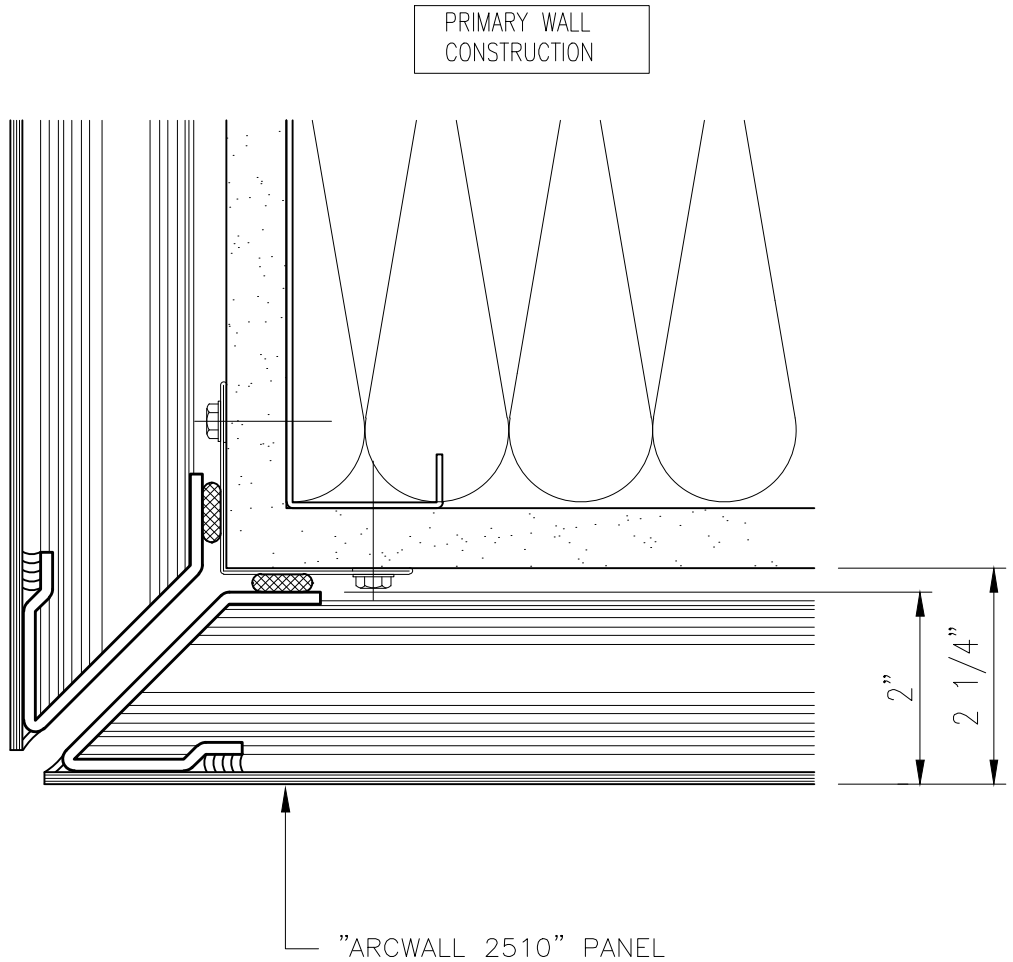
10) Coping at Curtainwall



11) Sill/Soffit Transition

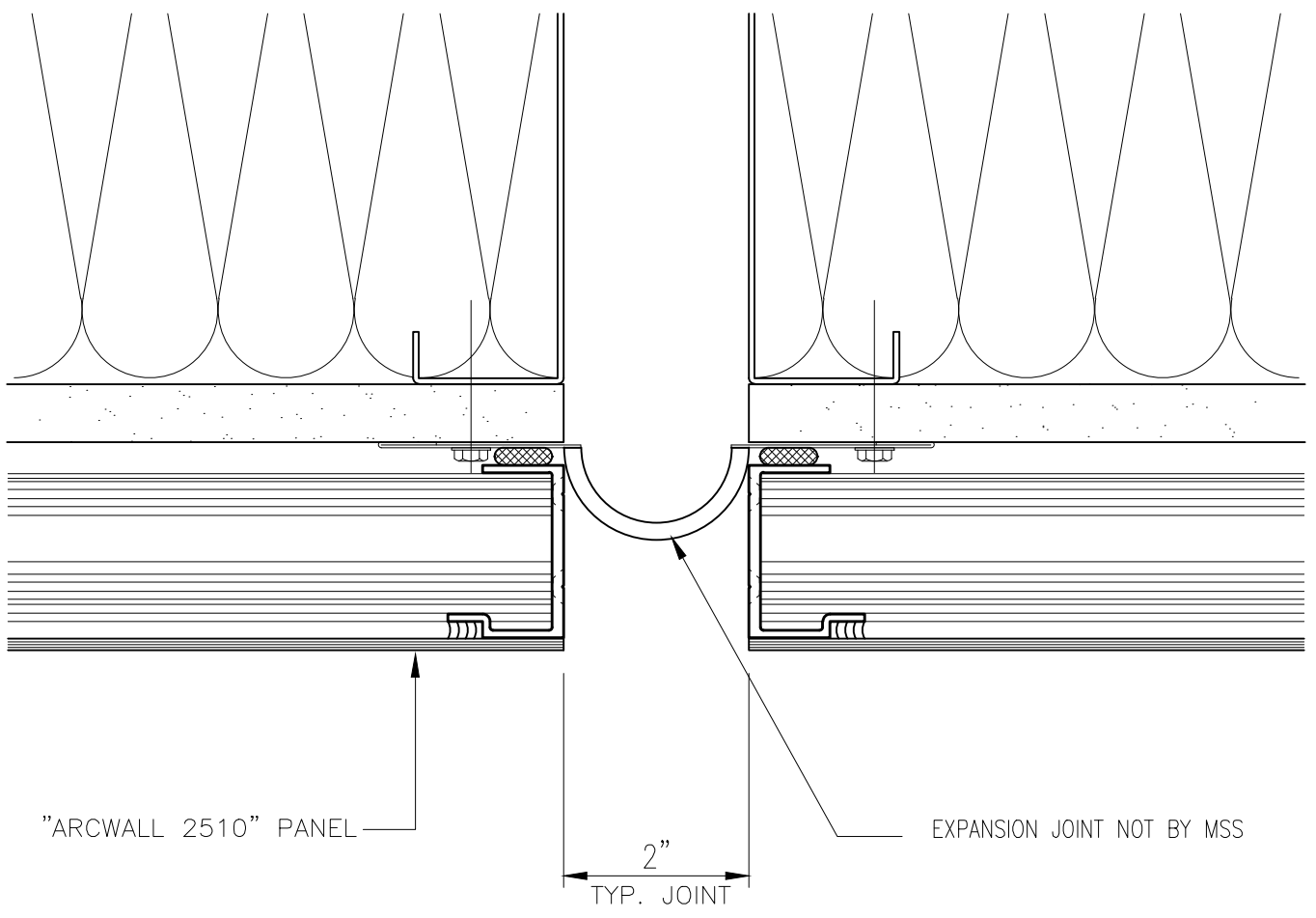


12) Inside Corner

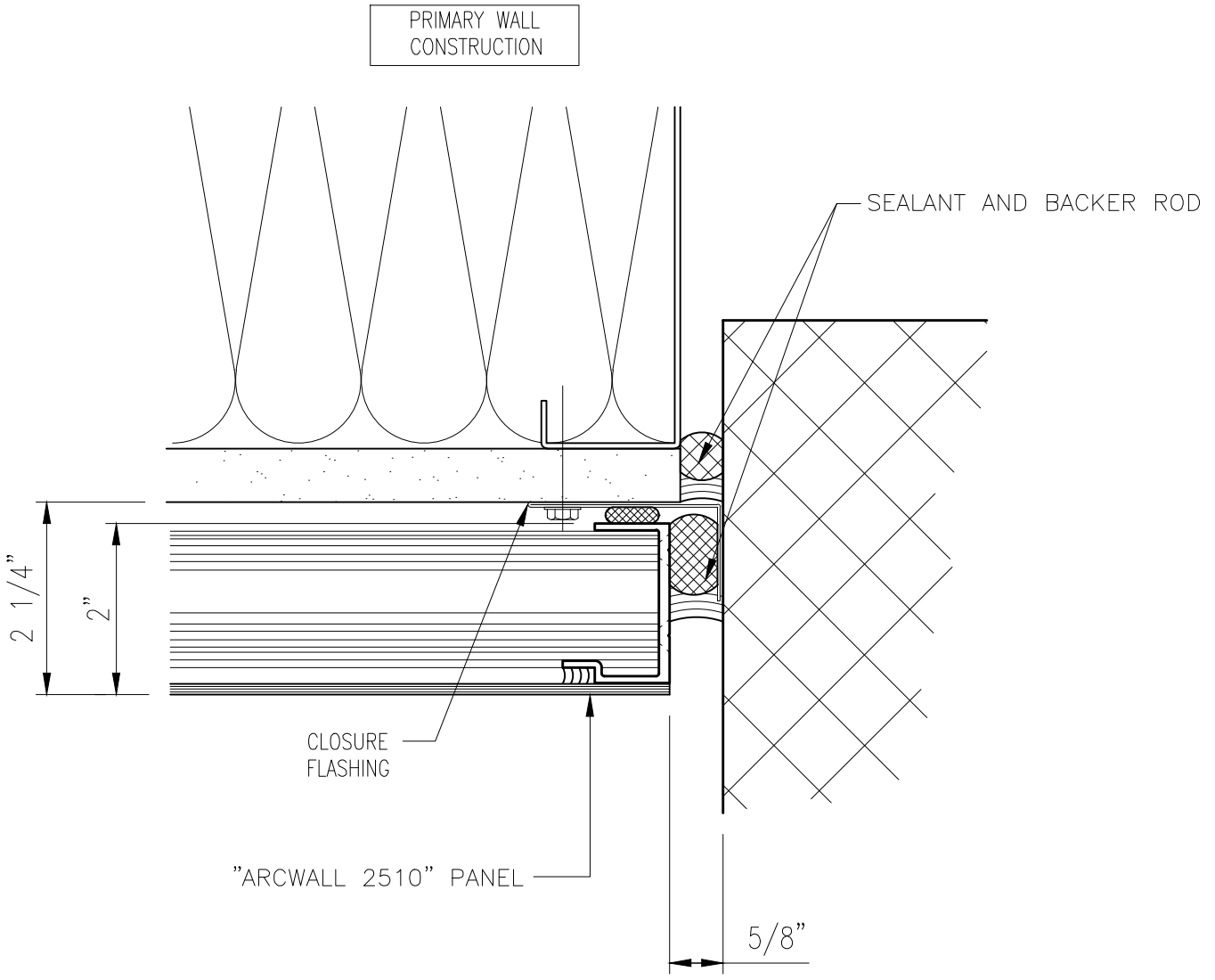


13) Outside Corner

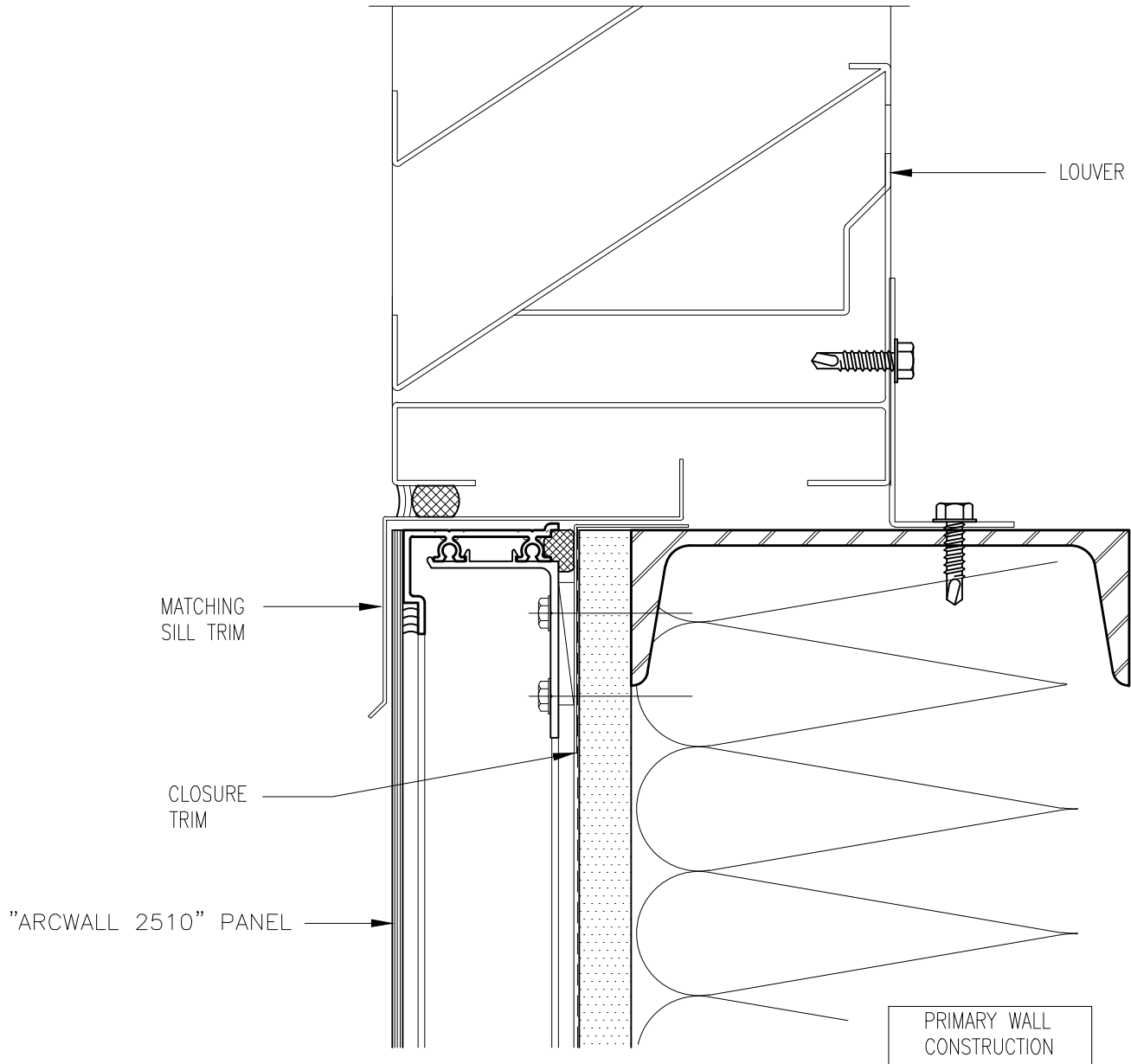
PRIMARY WALL
CONSTRUCTION



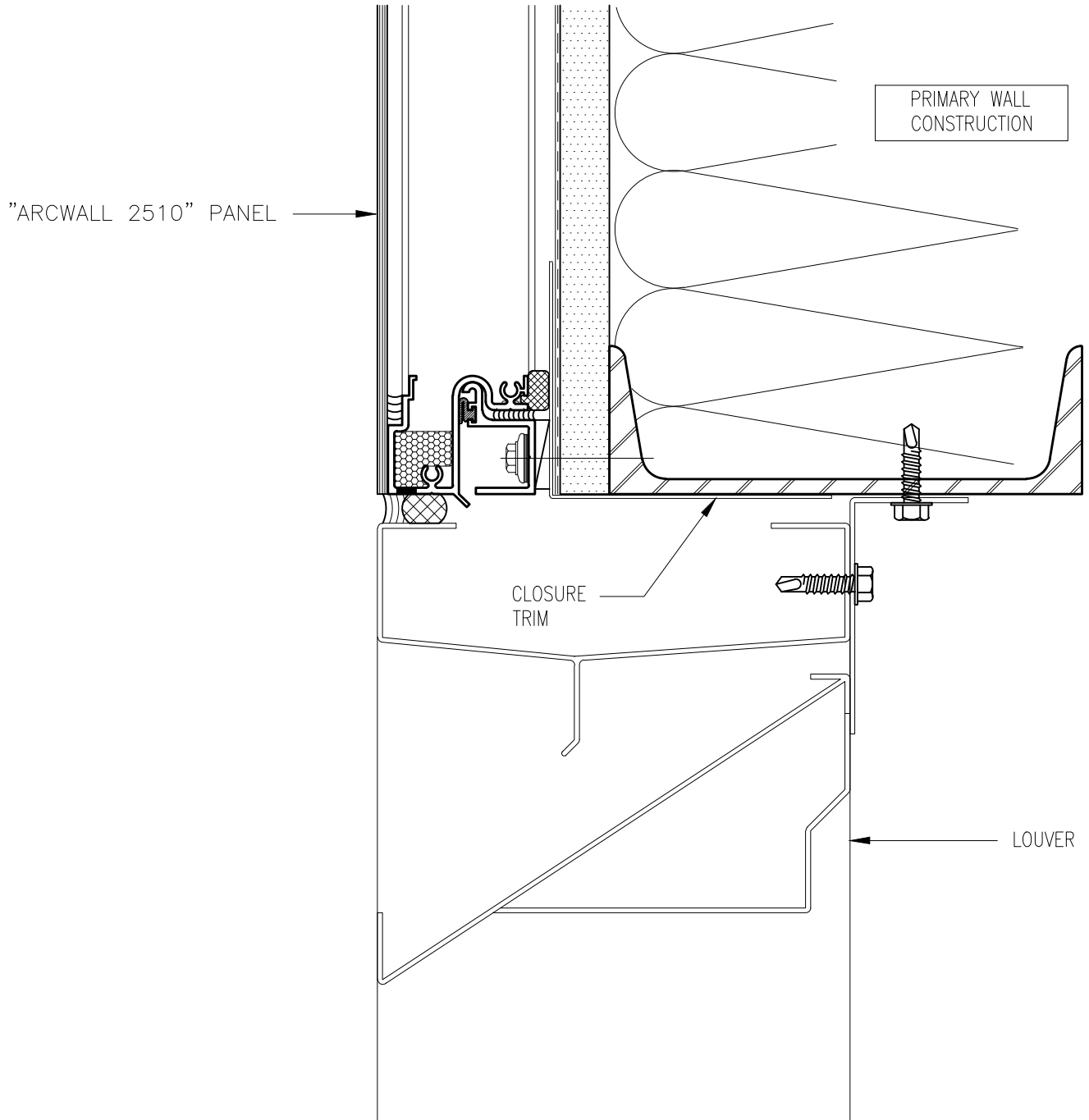
14) Expansion Joint



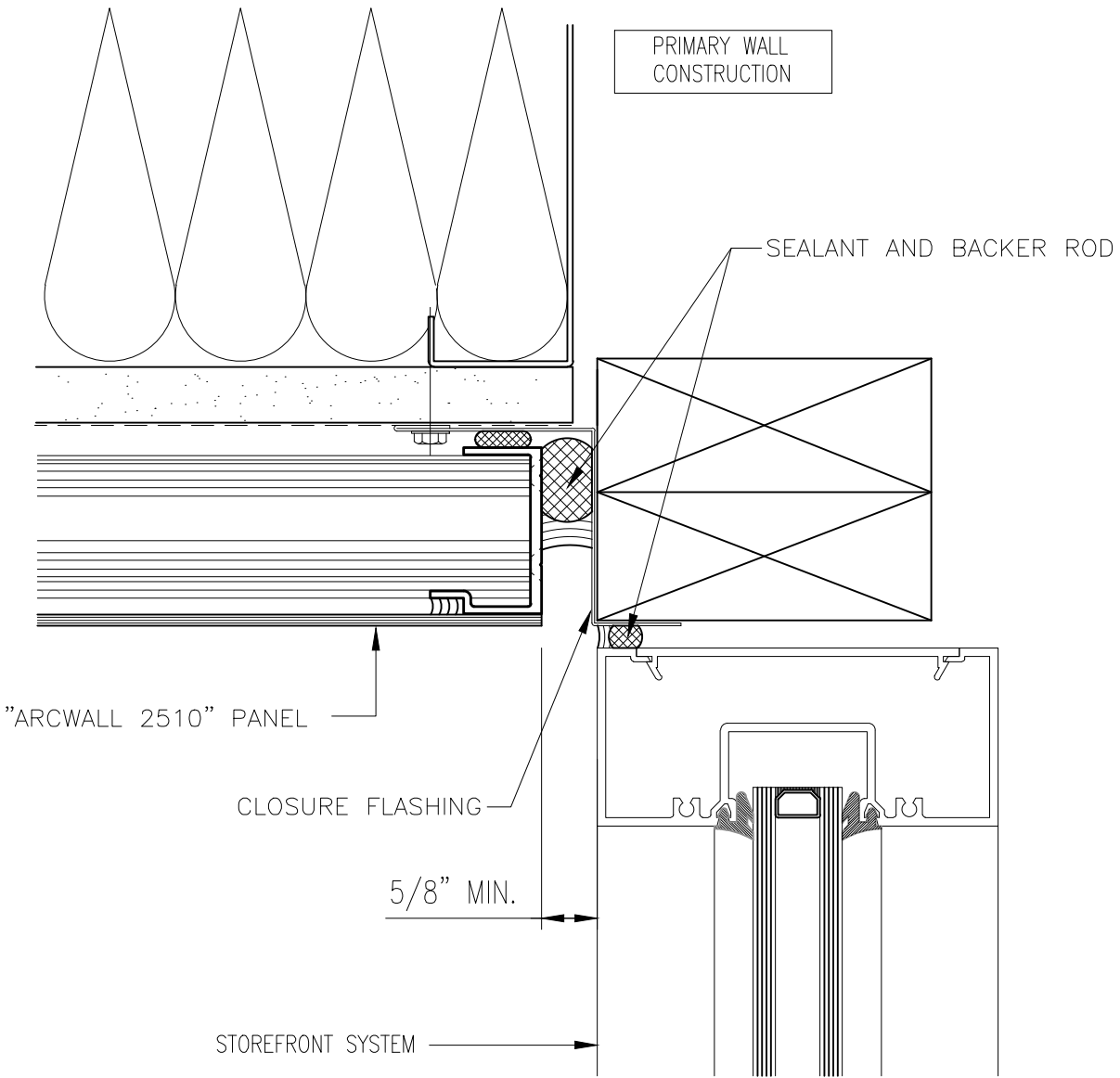
15) Endwall



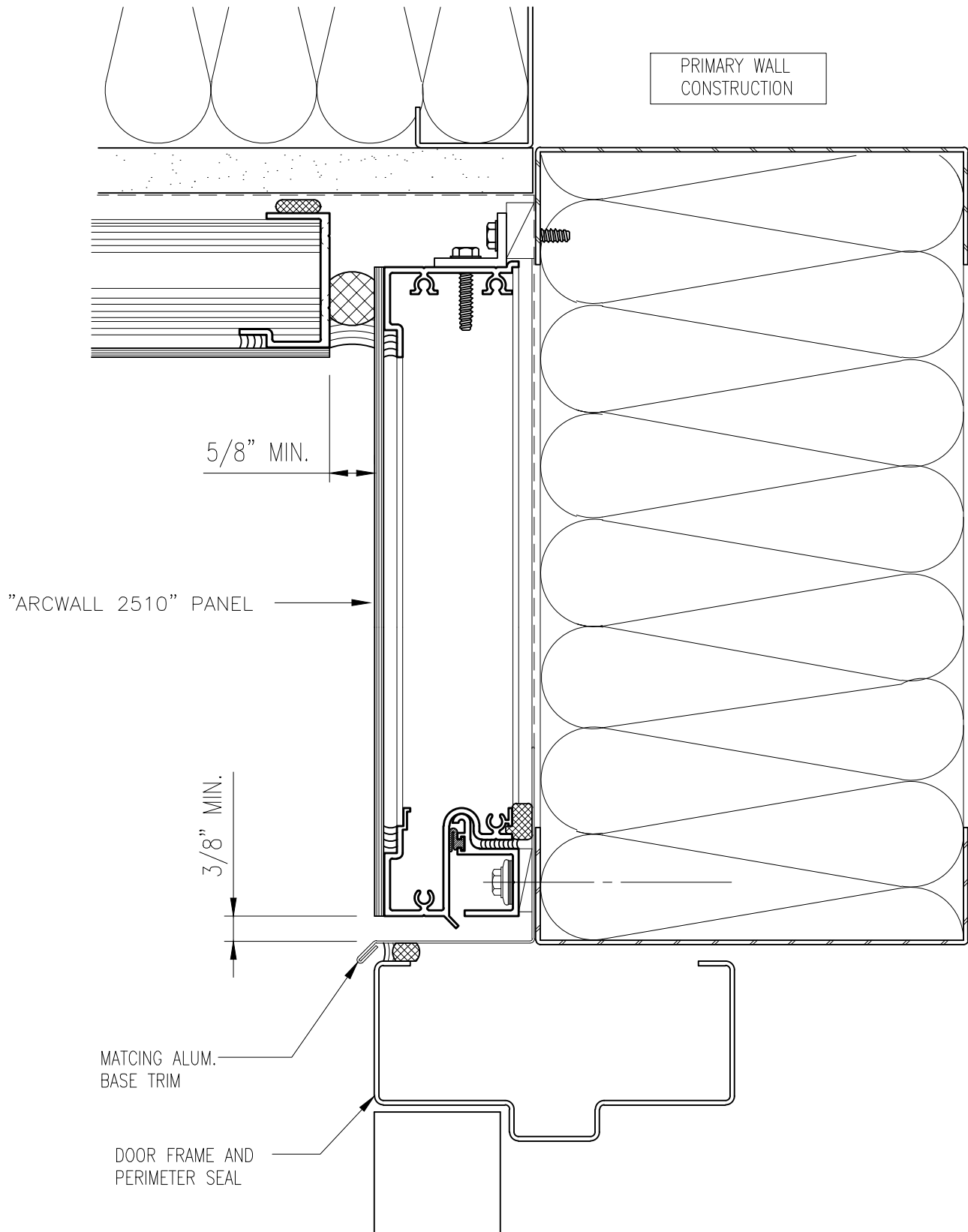
16) Louver Sill



17) Louver Head



18) Storefront Head



19) Storefront Transom