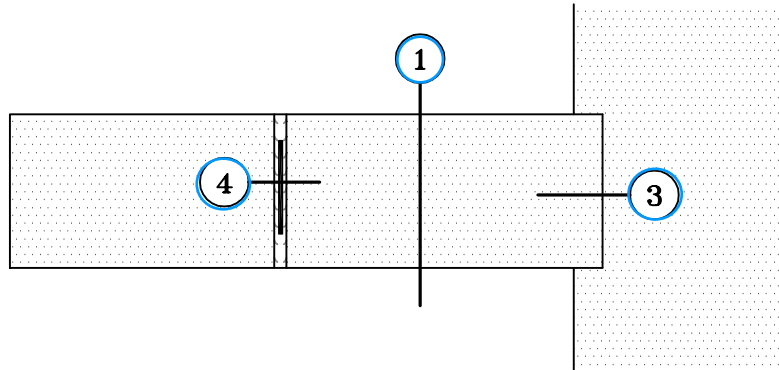
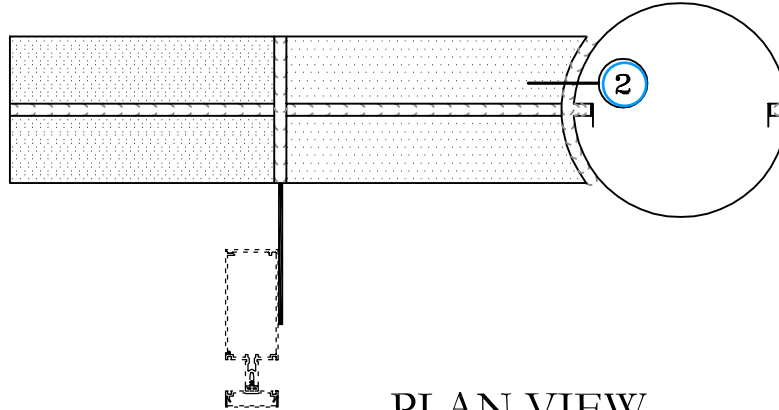


# "HORIZONTAL REVEAL" BEAM WRAPS (STANDARD DETAILS)



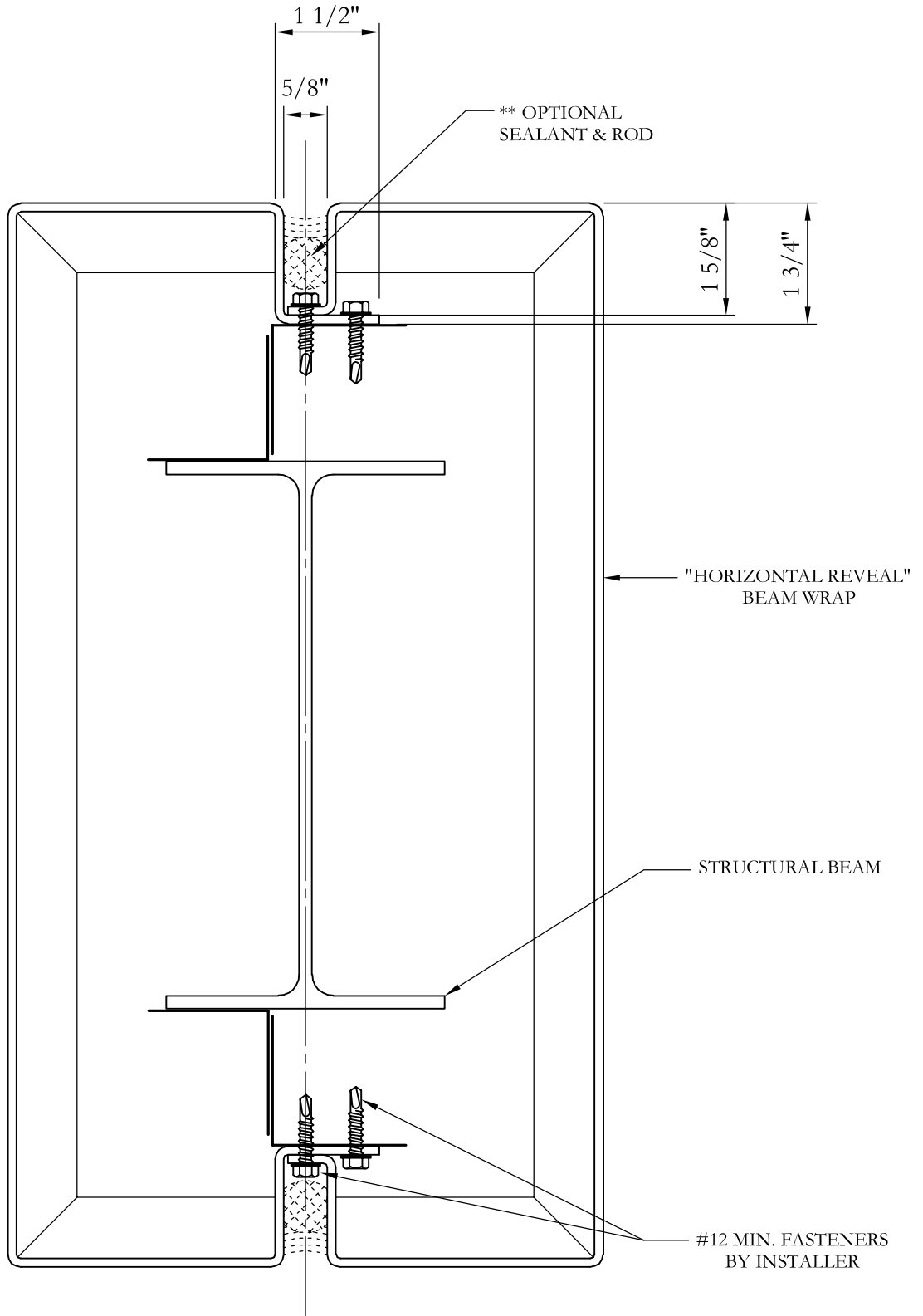
SIDE VIEW



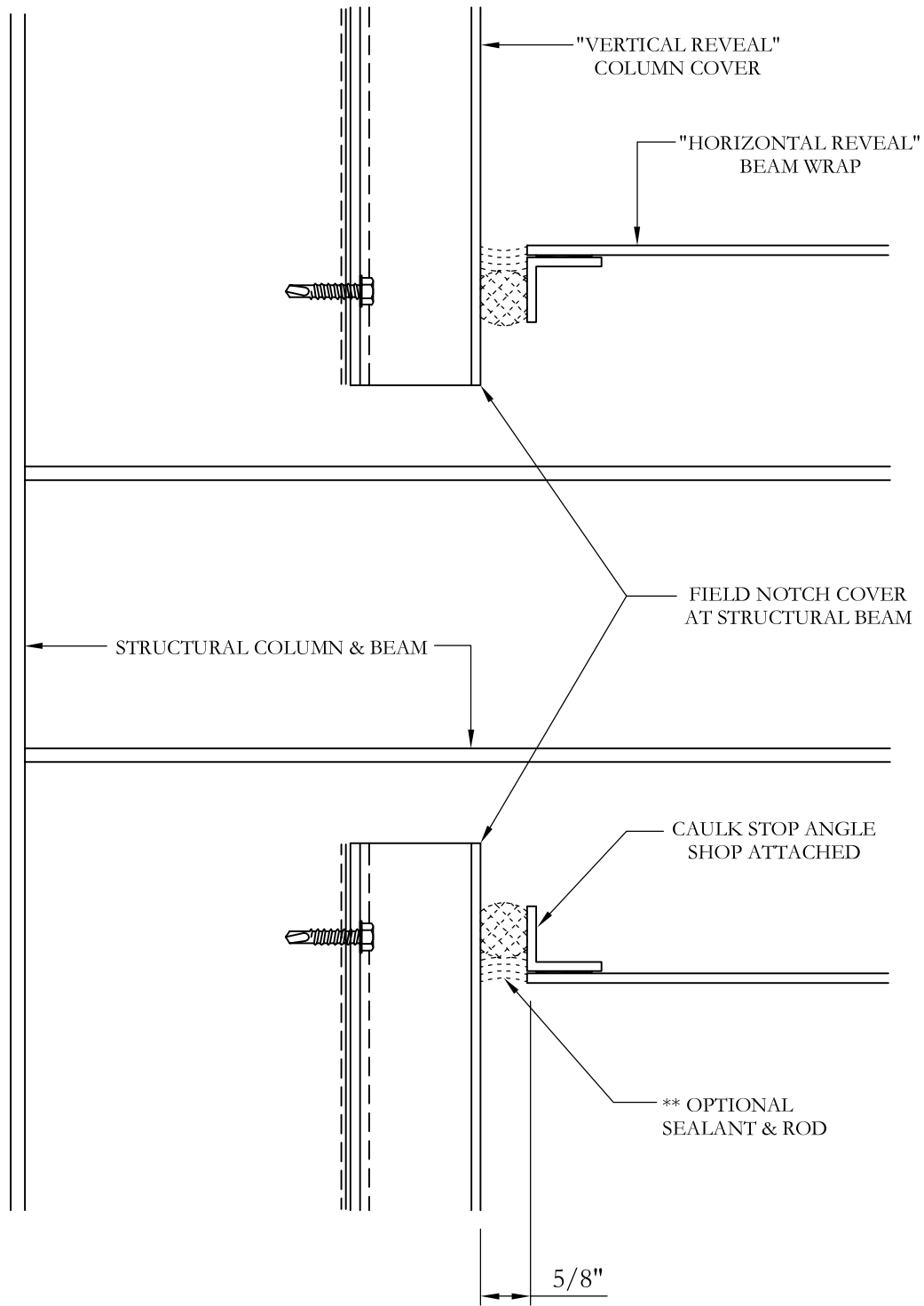
PLAN VIEW

## MENU

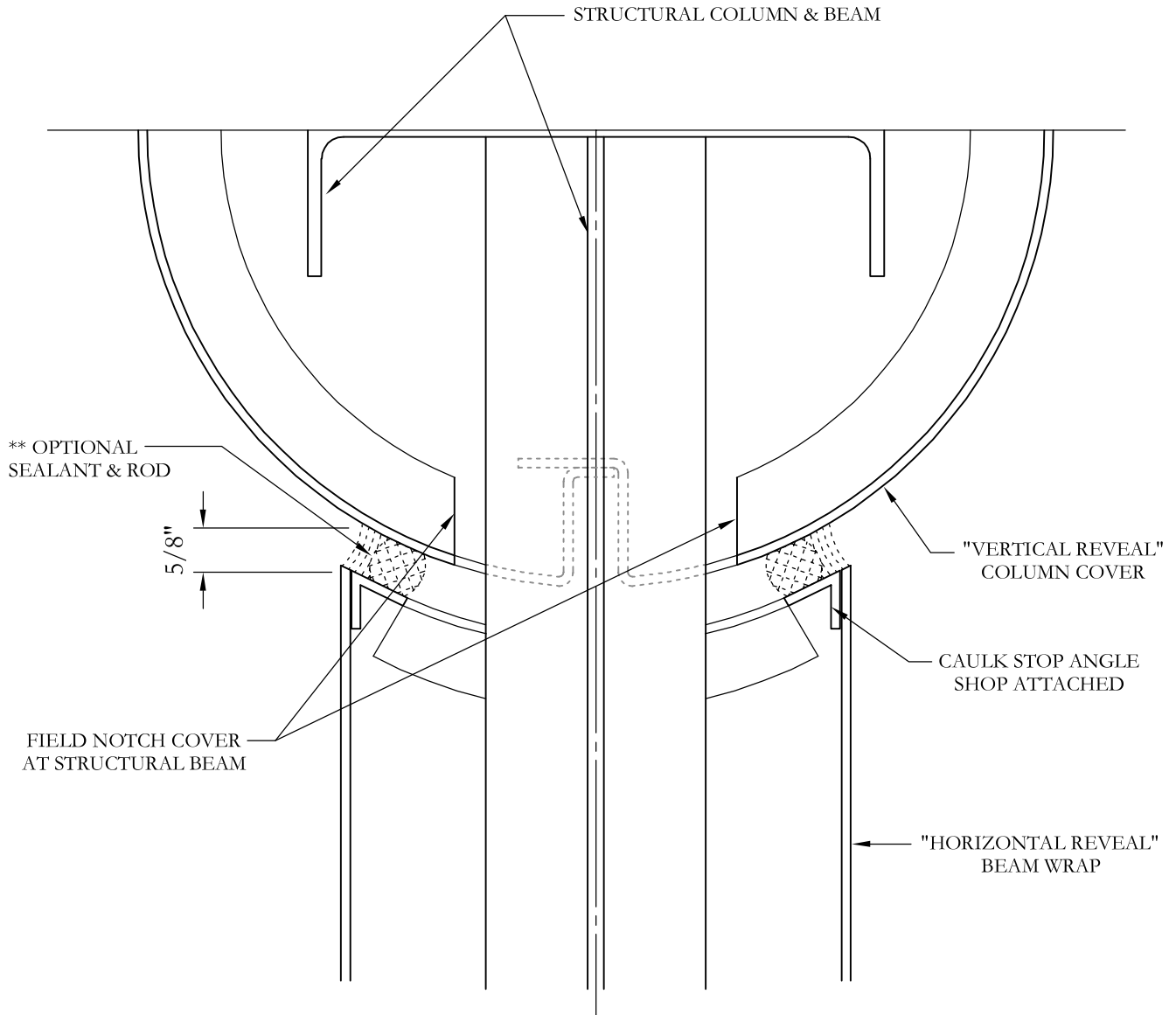
- 1) Typical Section.
- 2) Vertical Transition.
- 3) Horizontal Transition.
- 4) Glazed System Connection.



# 1) Typical Section

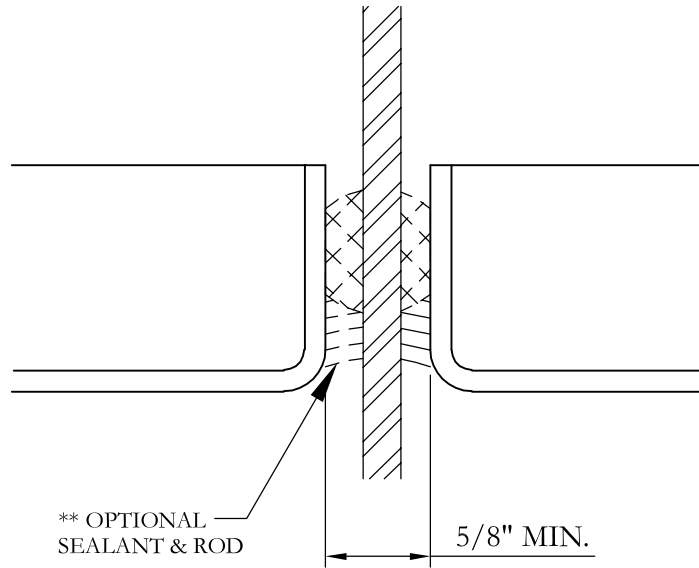


## 2) Vertical Transition

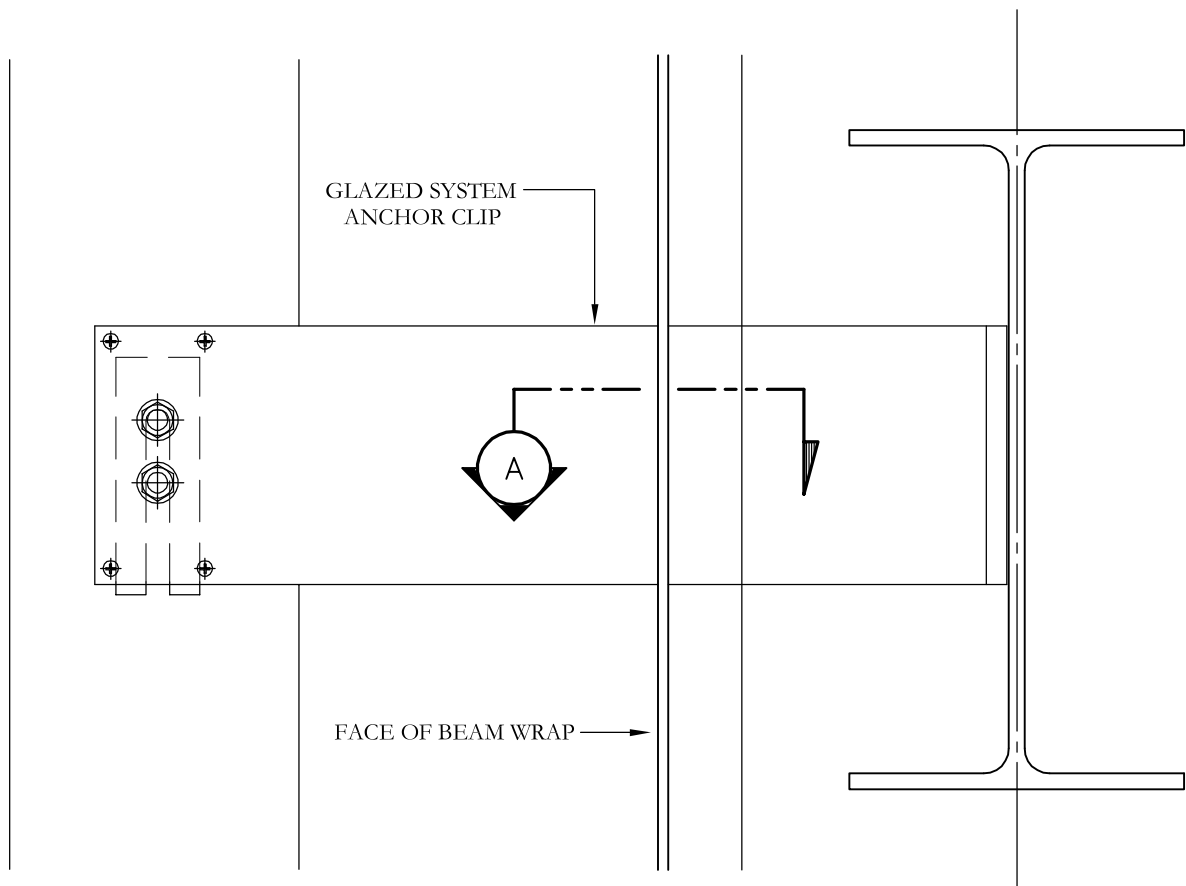


### 3) Horizontal Transition

---



SECTION "A"



## 4) Glazed System Connection