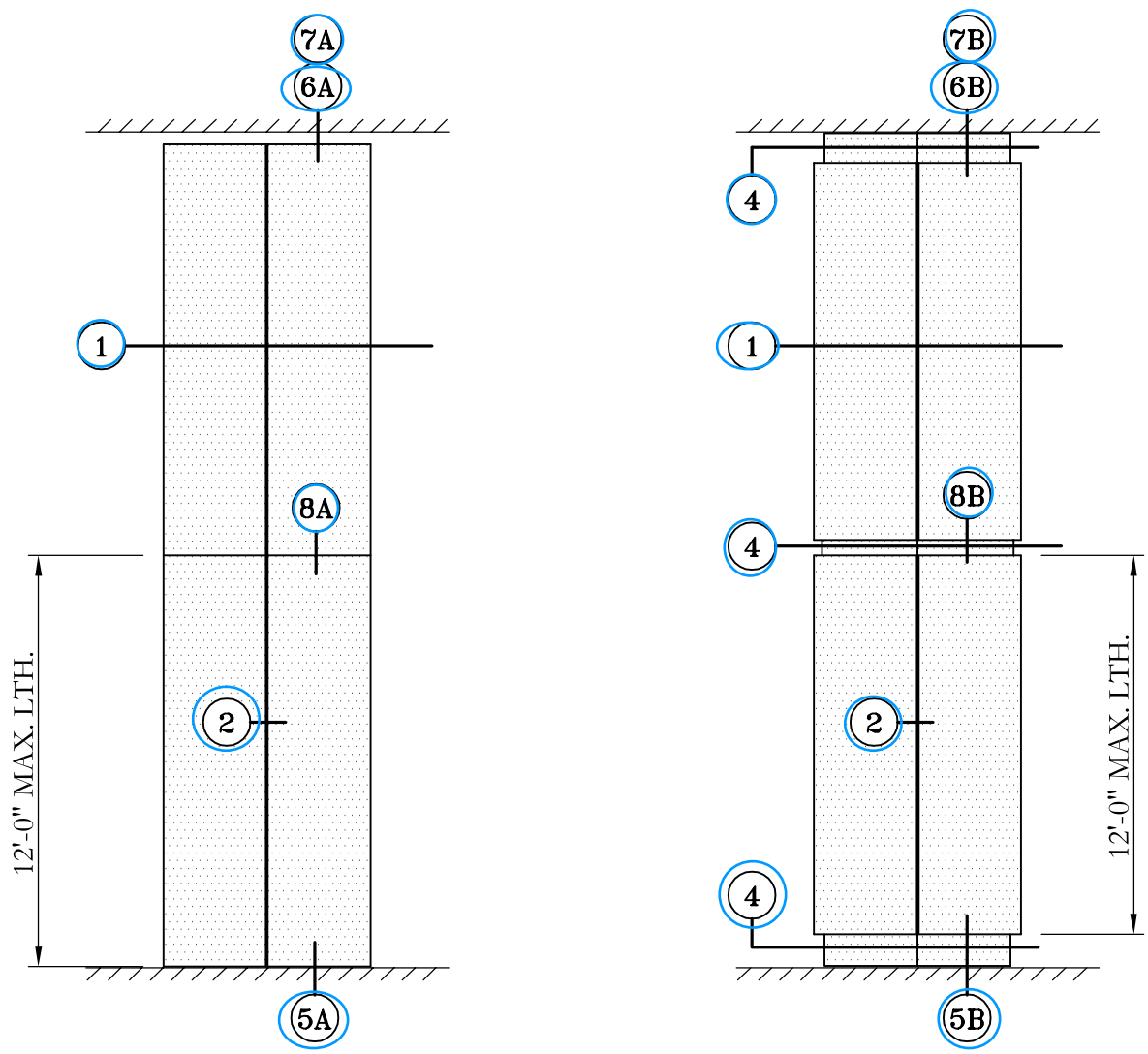
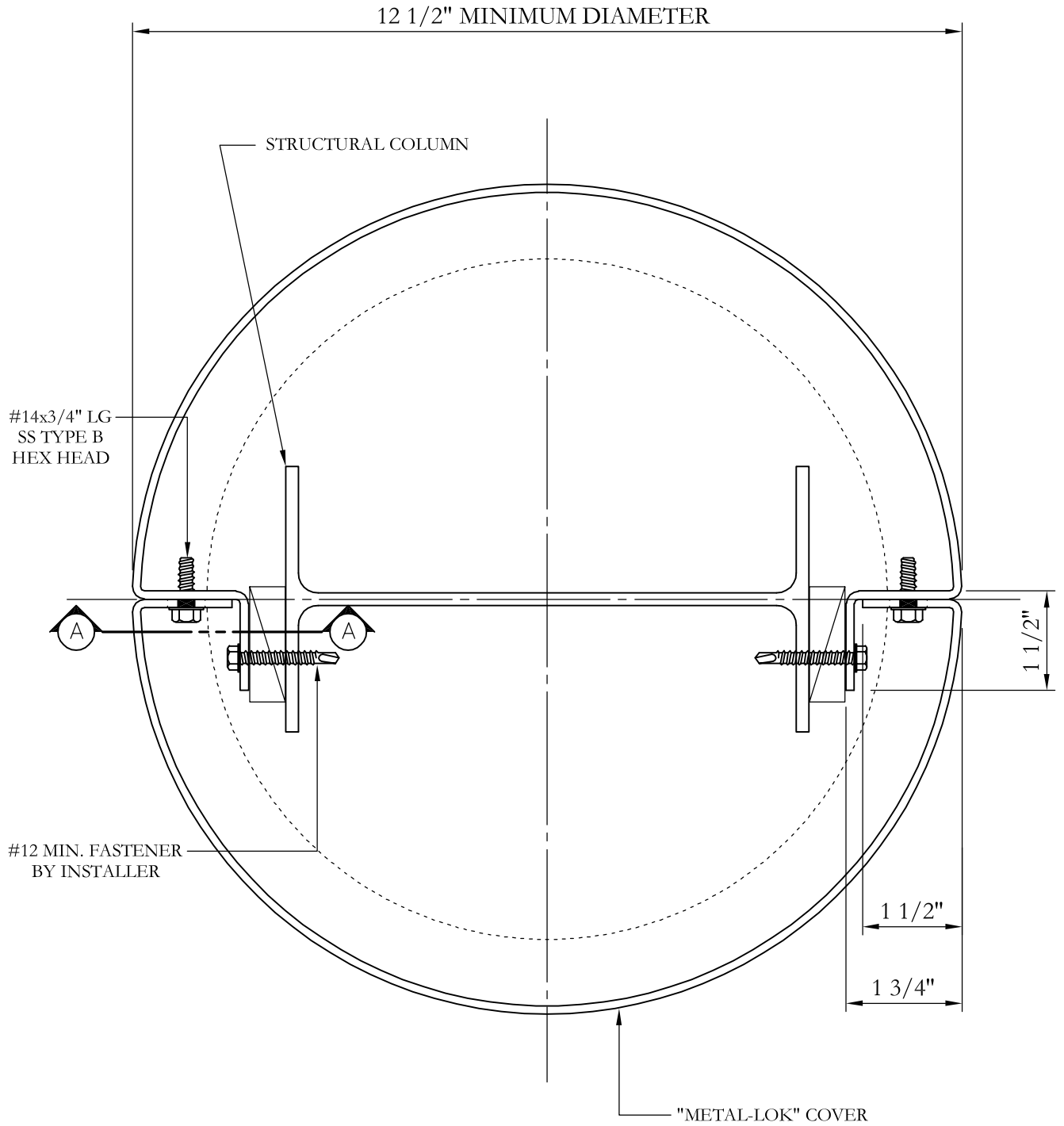


"METAL-LOK" COLUMN COVERS (STANDARD DETAILS)

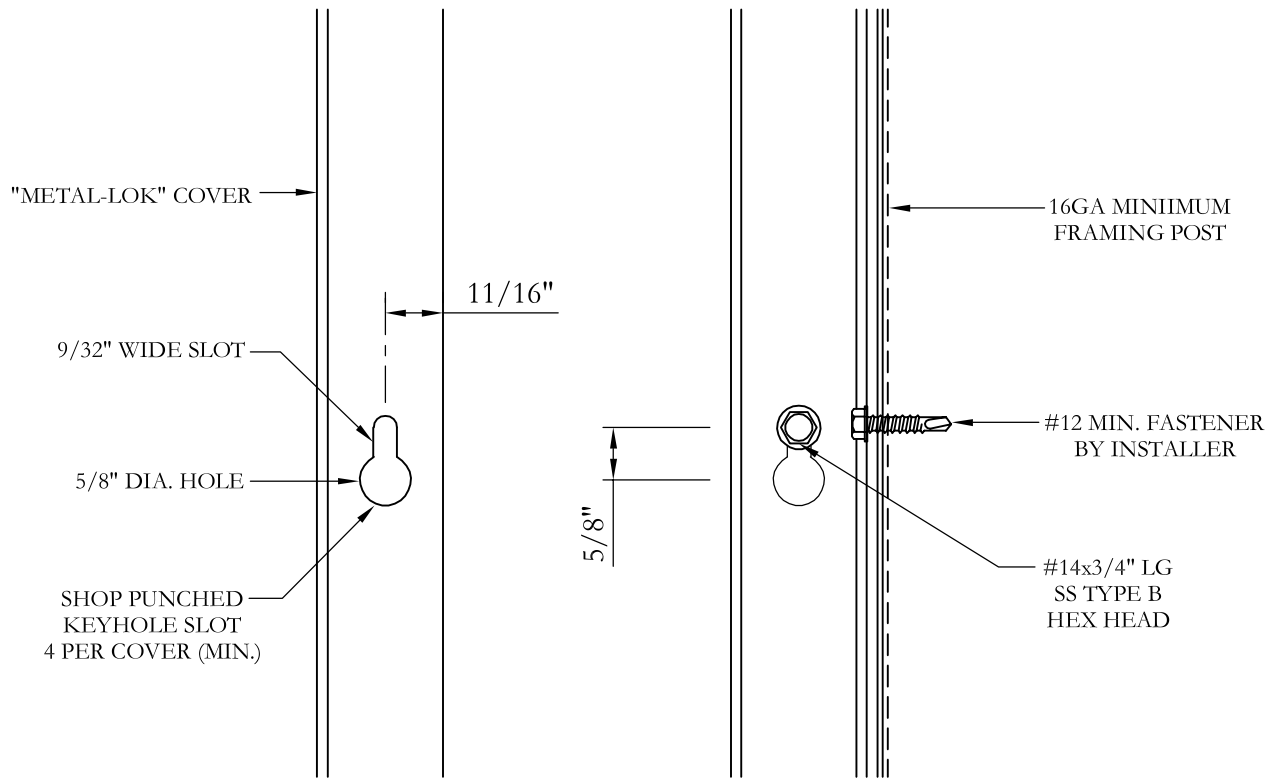


MENU

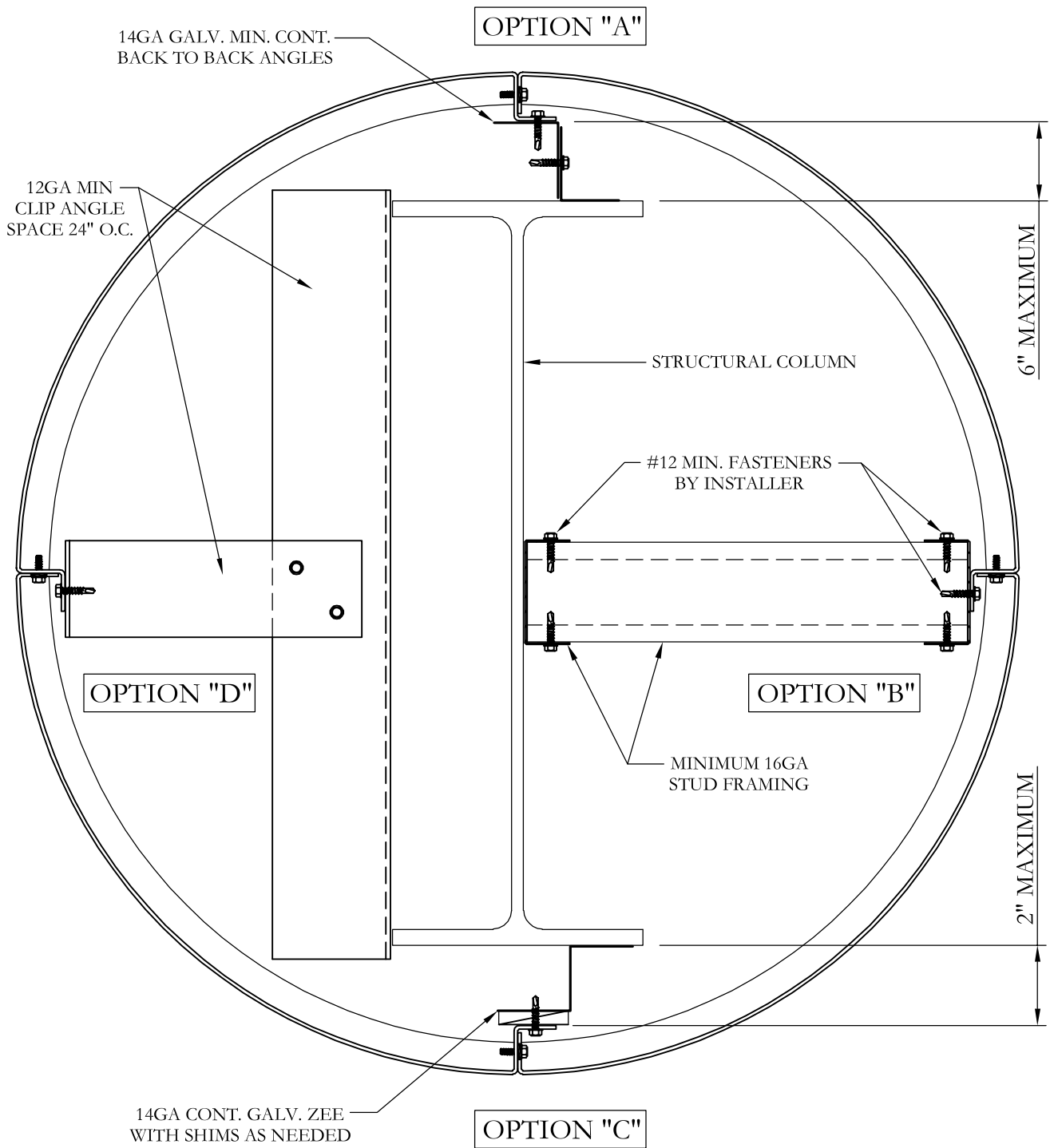
- | | |
|---------------------------------|--------------------------------|
| 1) Typical Vertical Joint. | 6) Fixed Ceiling Options. |
| 2) Keyhole Flange Section. | 7) Adjustable Ceiling Options. |
| 3) Framing Options. | 8) Stacking Options. |
| 4) Plan at Base/Ceiling Reveal. | 9) Reveal Option. |
| 5) Base Options. | 10) <u>Shape Options.</u> |



1) Typical Vertical Joint

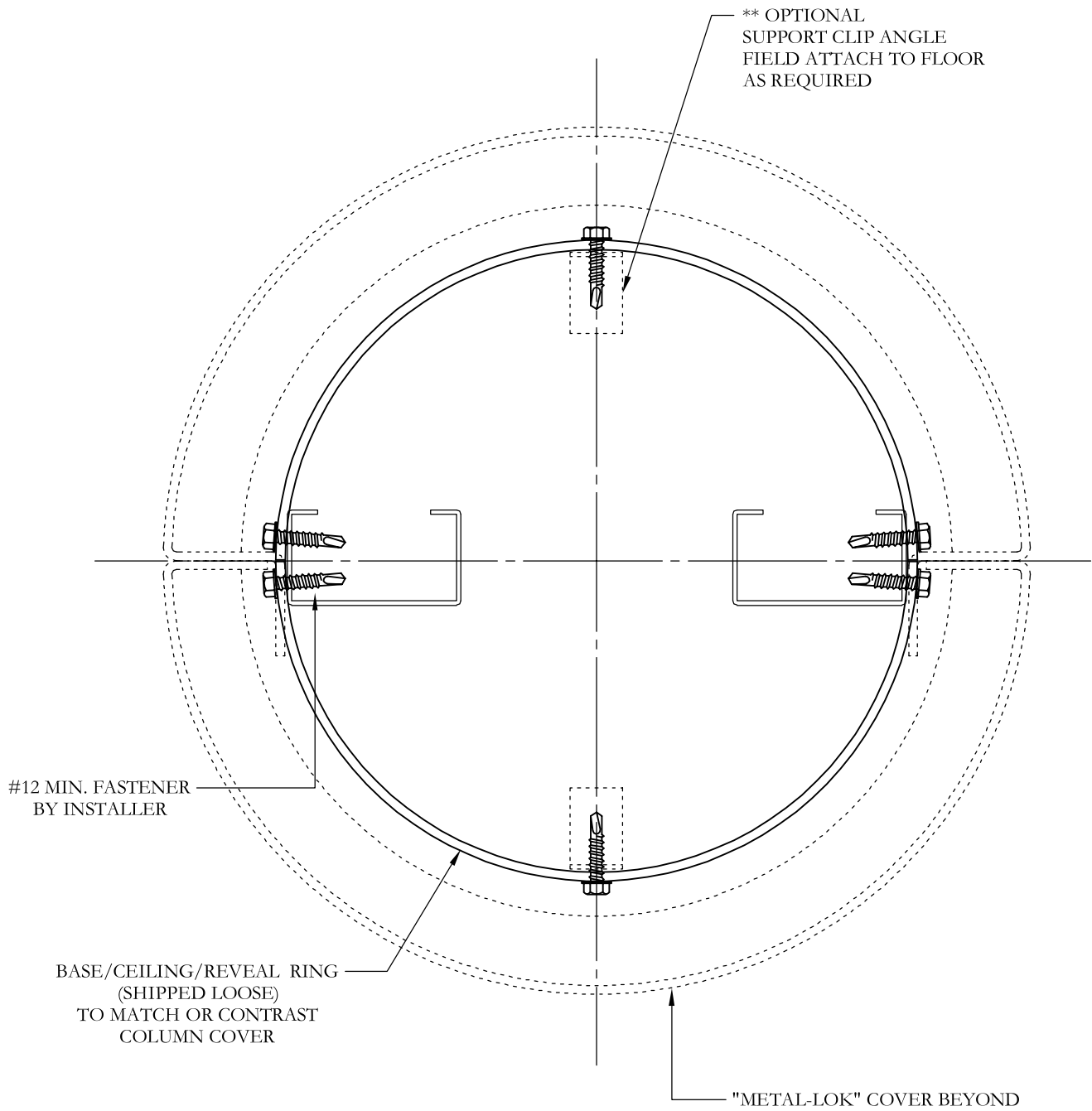


2) Section "A-A"

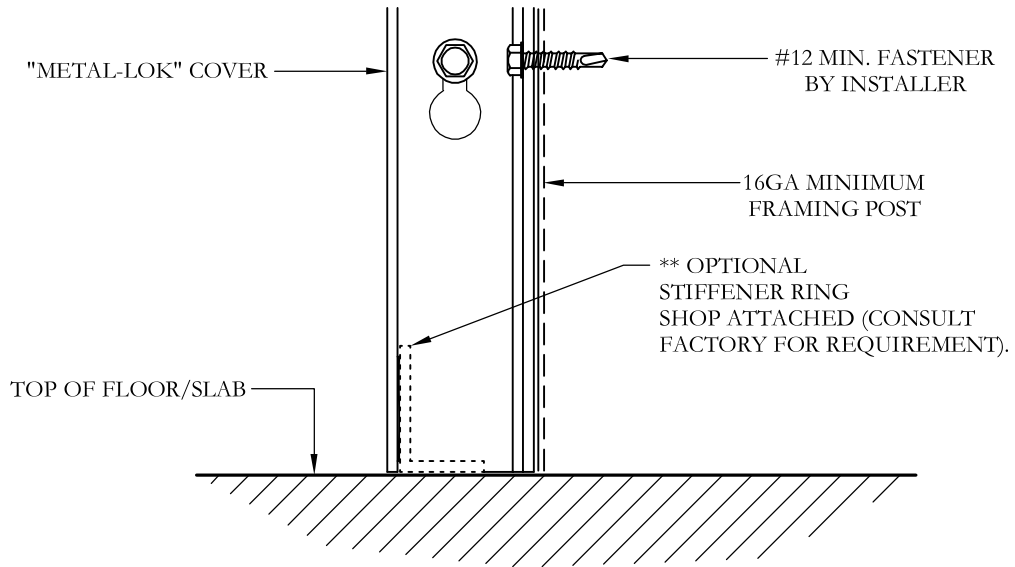


INSTALLATION NOTE:
 FIELD ATTACH FRAMING WITH FASTENERS, SHOT & PIN, OR WELD.
 TO BE DETERMINED BASED ON LOAD AND SPEC REQUIREMENTS

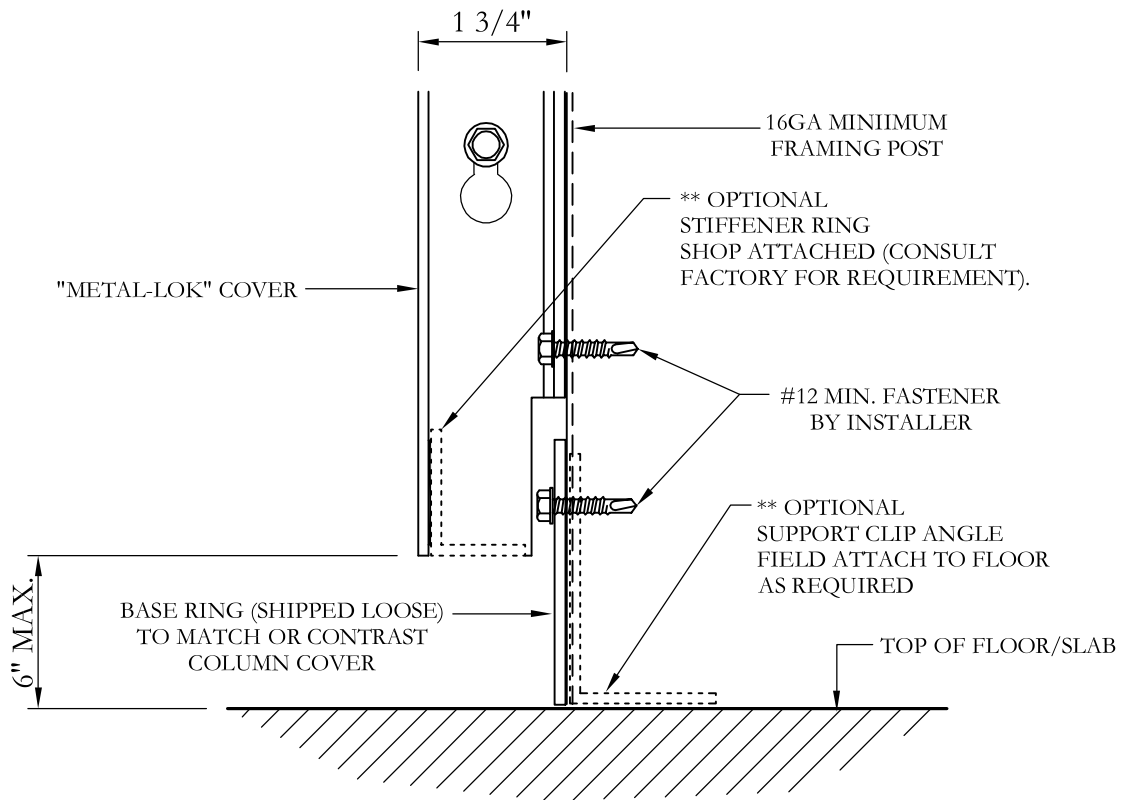
3) Framing Options



4) Plan at Base/Ceiling Reveal

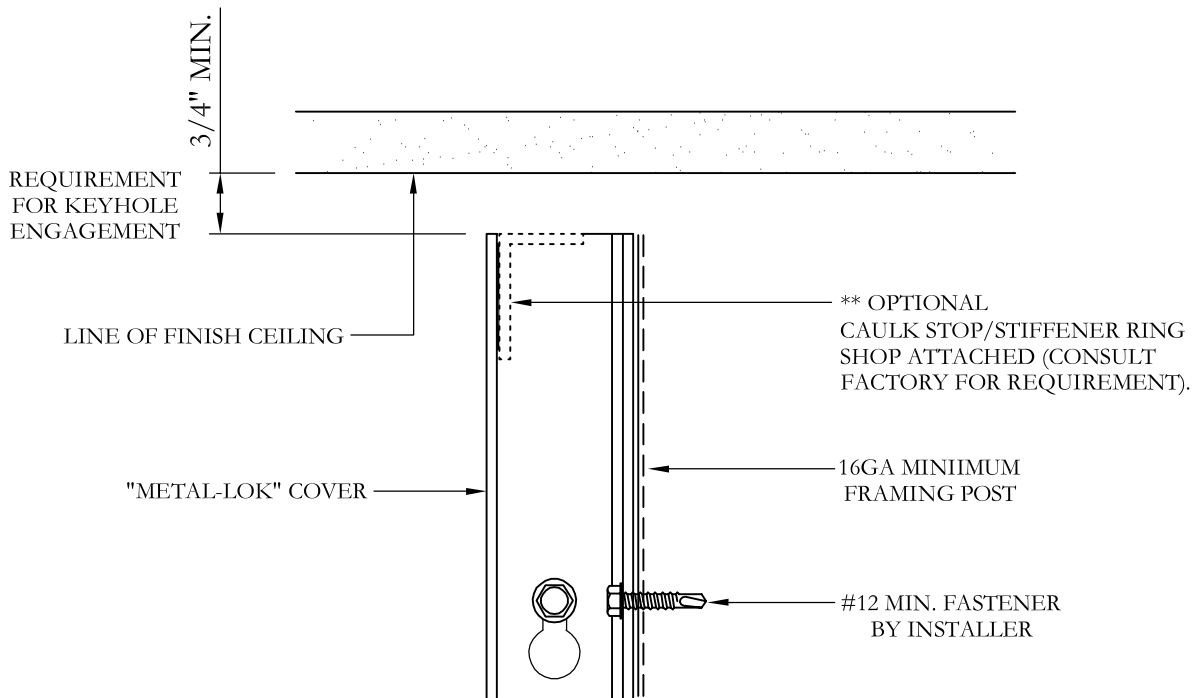


A) STANDARD FLUSH

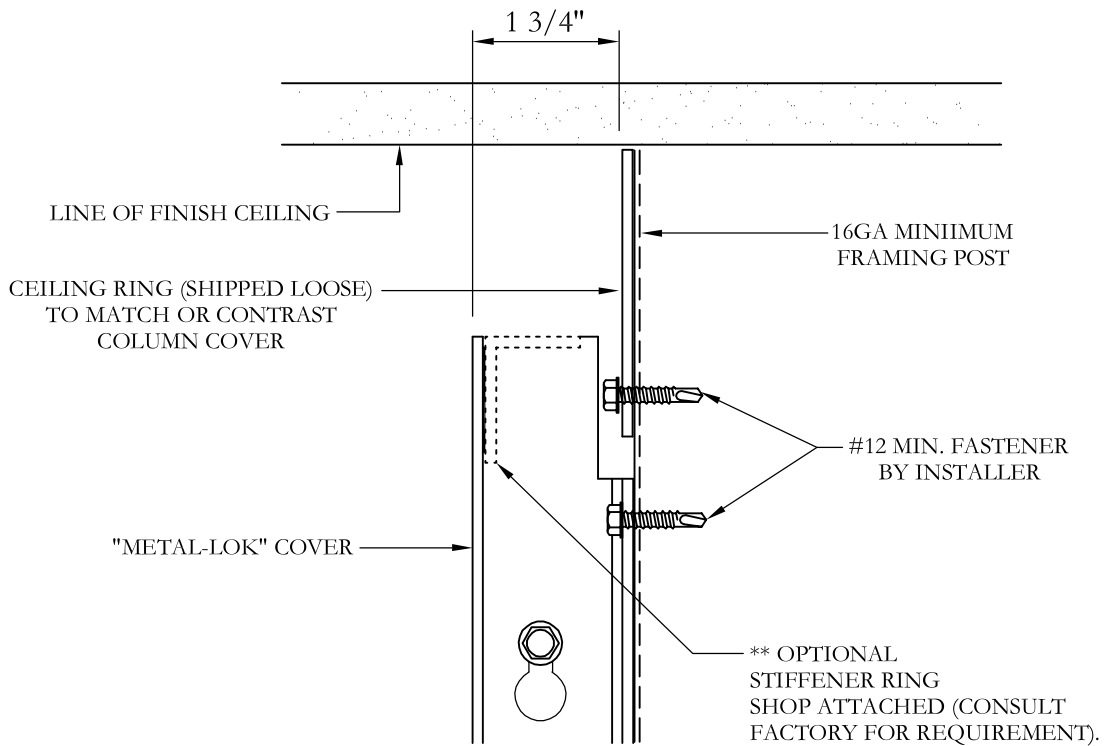


B) STANDARD REVEAL

5) Base Options

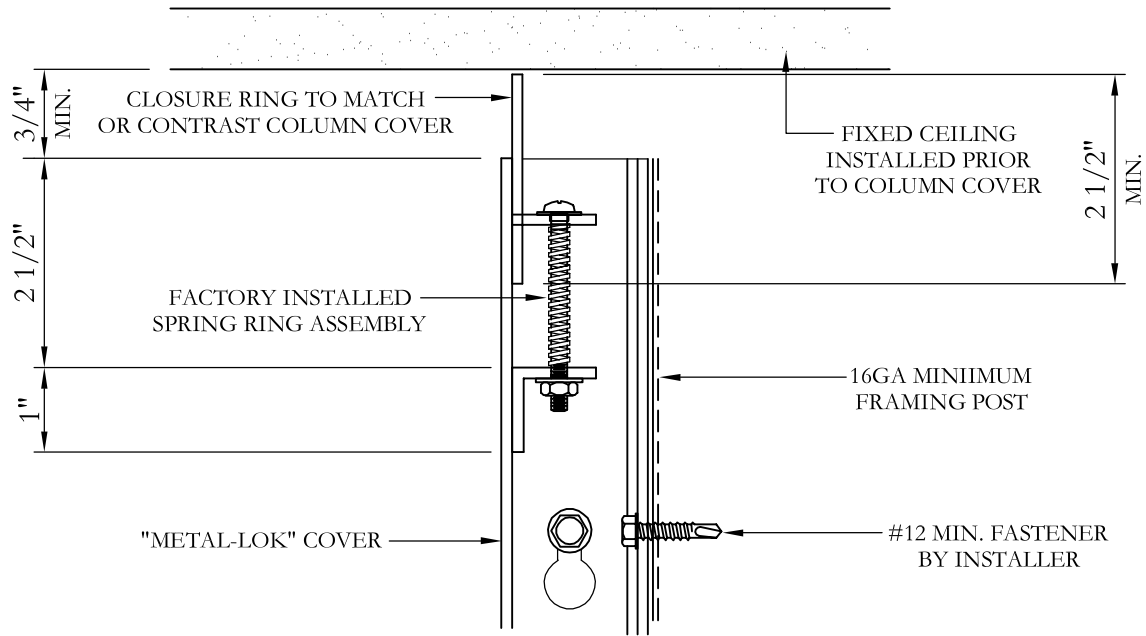


A) STANDARD

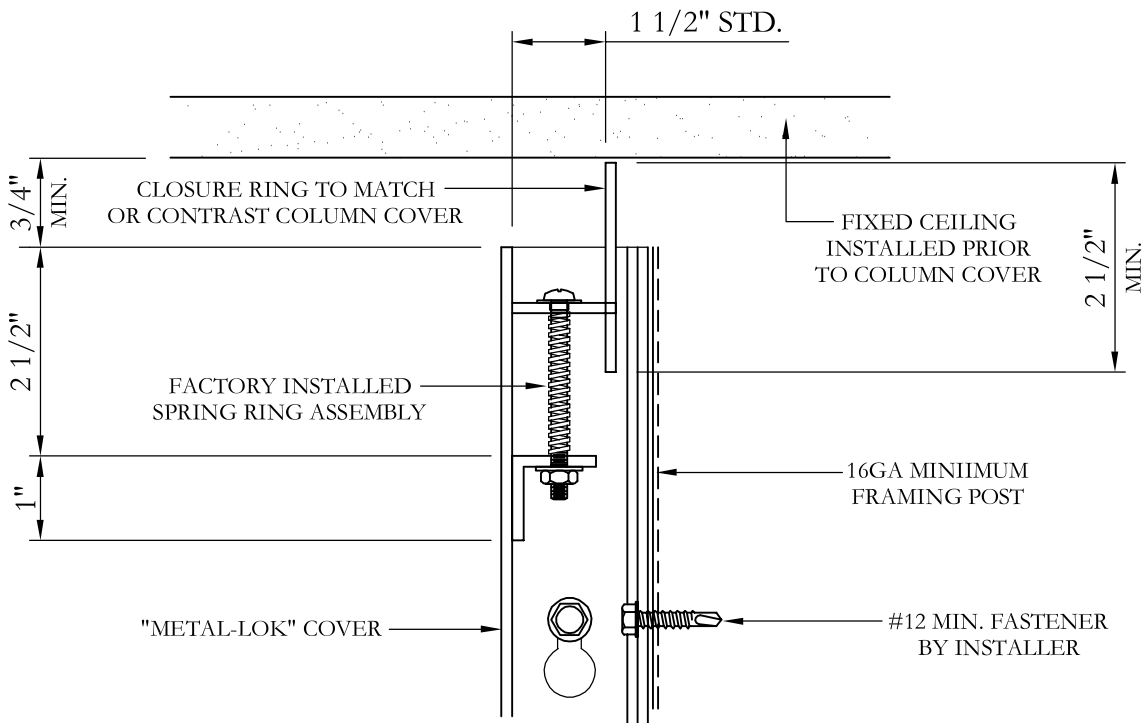


B) STANDARD REVEAL

6) Fixed Ceiling Options



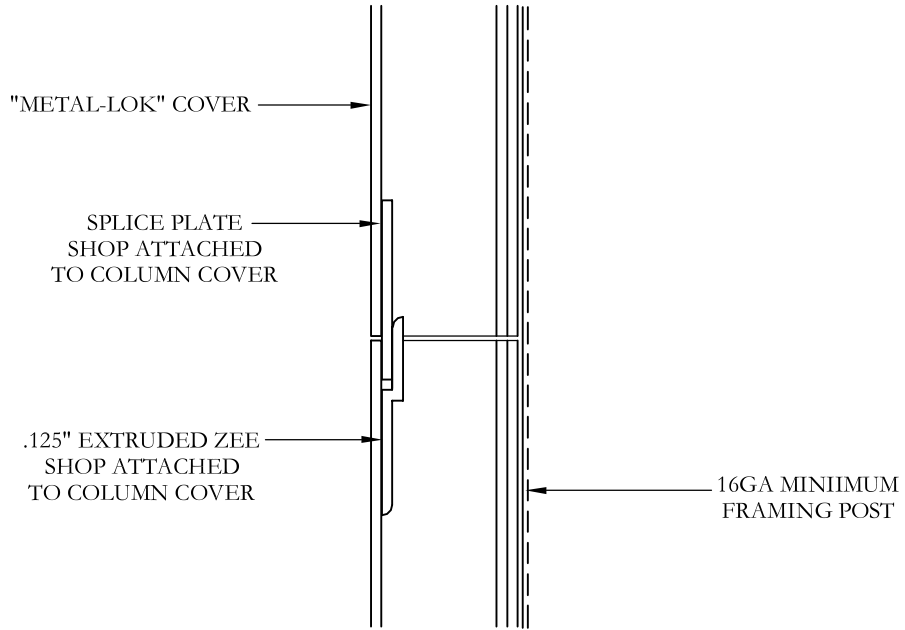
A) FLUSH SPRING RING



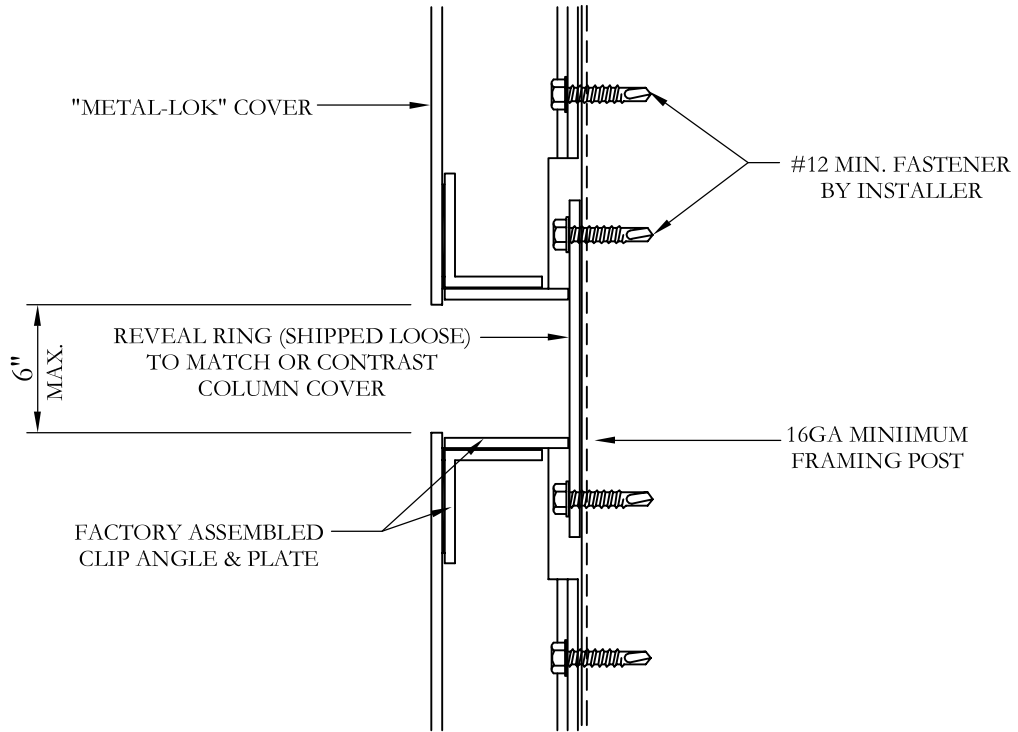
B) REVEAL SPRING RING

7) Adjustable Ceiling Options

(NOT RECOMMENDED FOR LAY-IN CEILING AND EXTERIOR CONSTRUCTION)

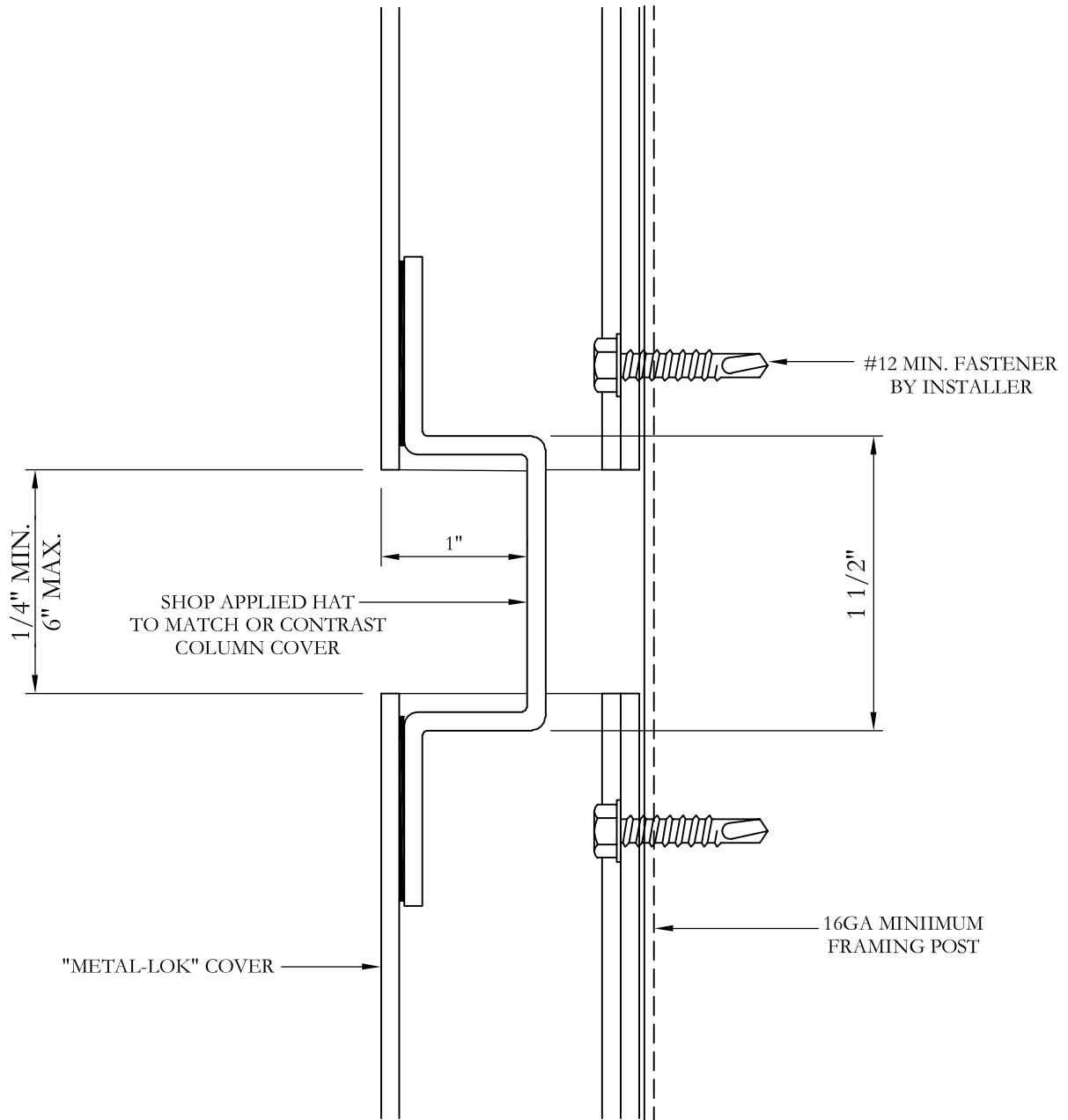


A) HORIZ. BUTT SPLICE



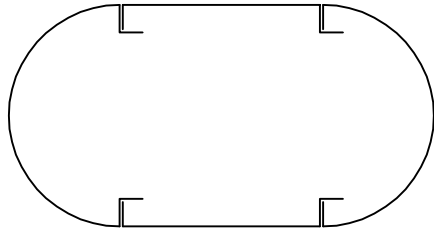
B) HORIZ. REVEAL

8) Stacking Options

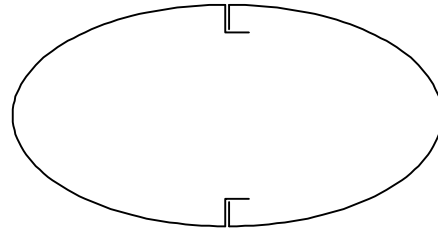


HORIZONTAL REVEAL

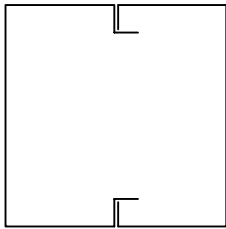
9) Factory Assembled Reveal



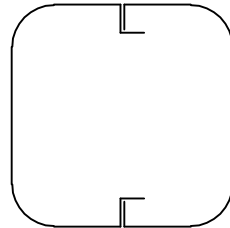
"RACETRACK"



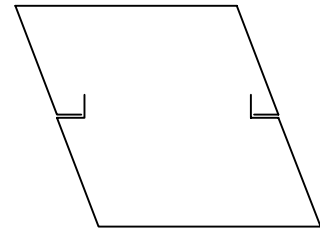
"ELLIPTICAL"



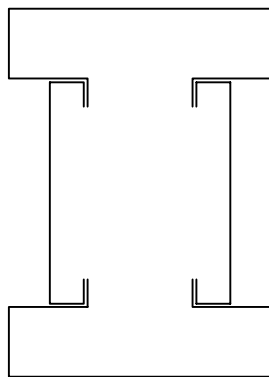
"SQUARE"



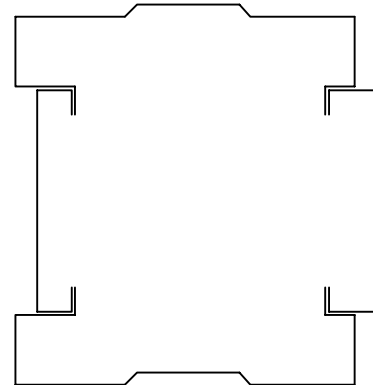
"RADIUSED CORNERS"



"PARALLELOGRAM"



"I BEAM"



"CUSTOM COVER"
(OTHER SHAPES ARE POSSIBLE)
(PLEASE CONSULT FACTORY)

10) Shape Options