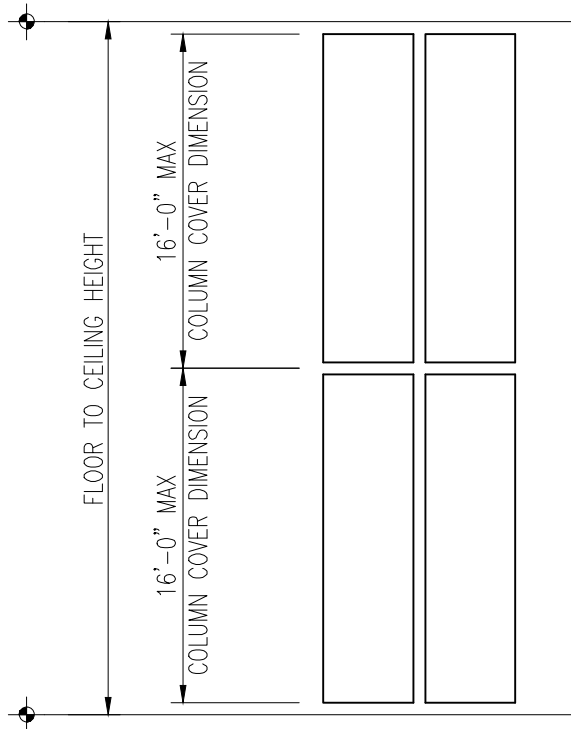
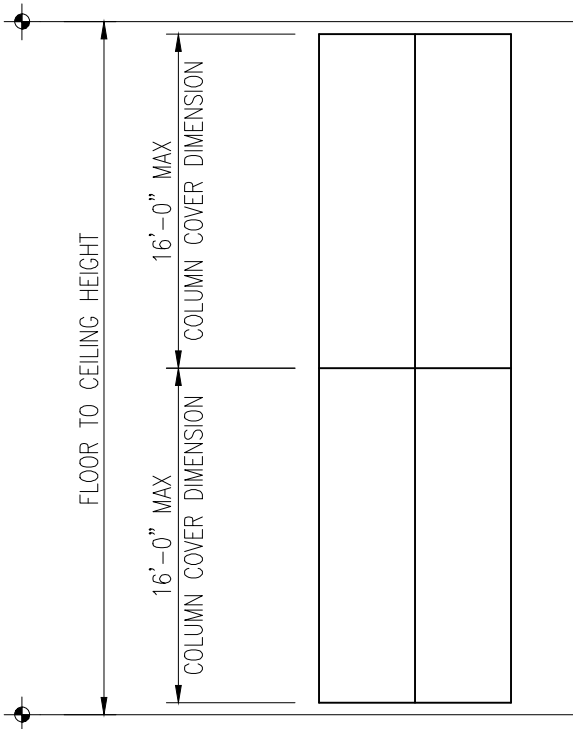
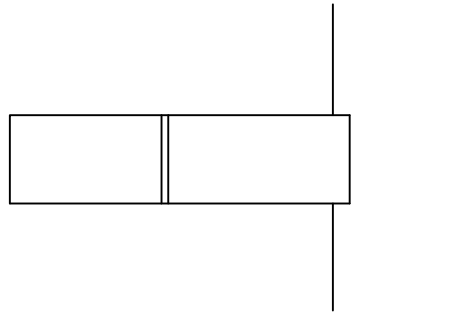


SINGLE SPAN COLUMN COVERS

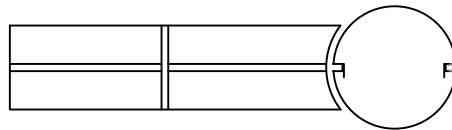


MUTIPLE SPAN COLUMN COVERS

SAMPLE ELEVATIONS



SIDE VIEW

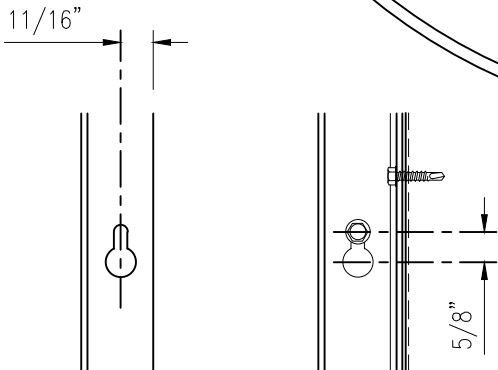
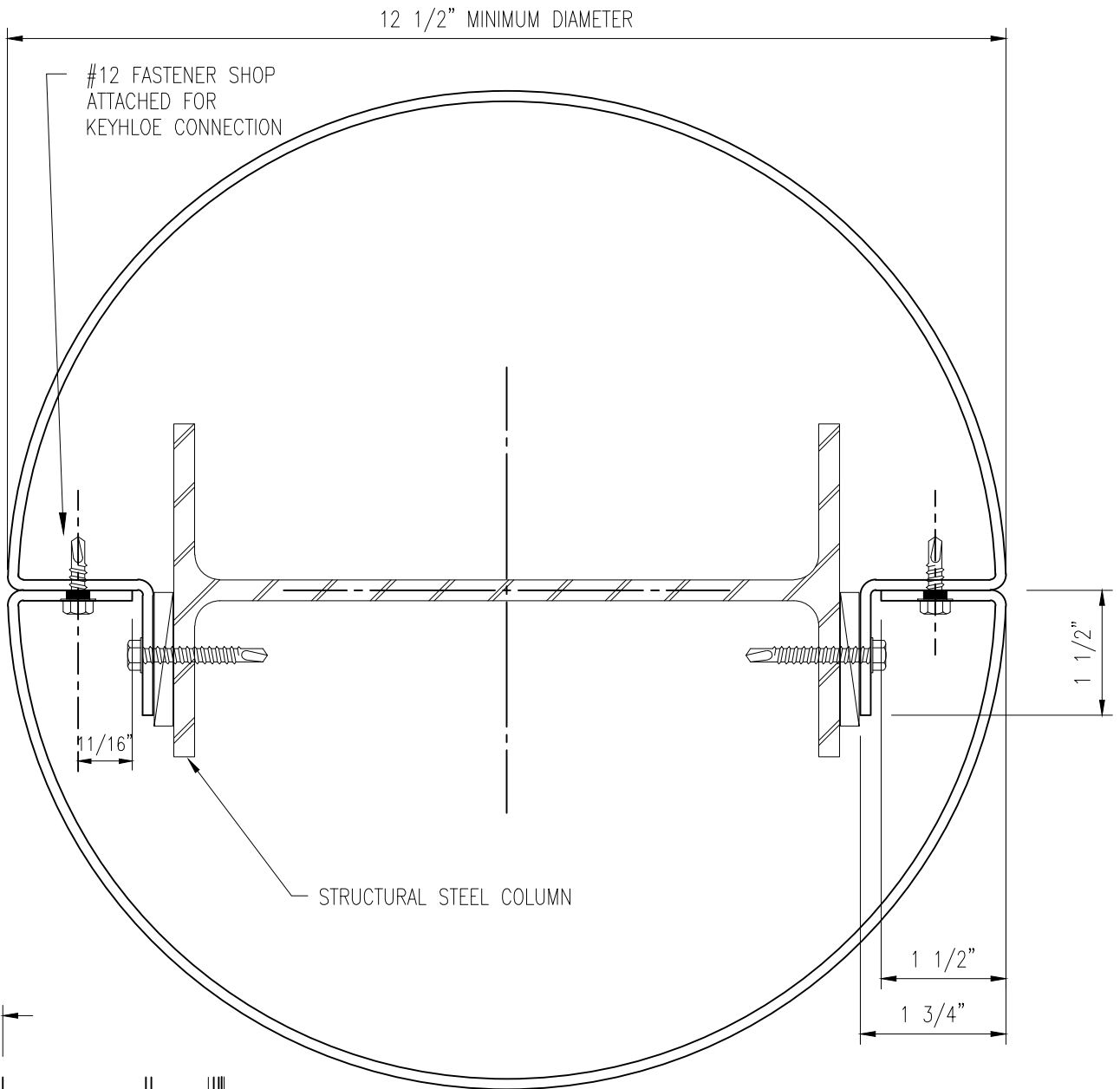


PLAN VIEW

BEAM WRAPS

TABLE OF CONTENTS

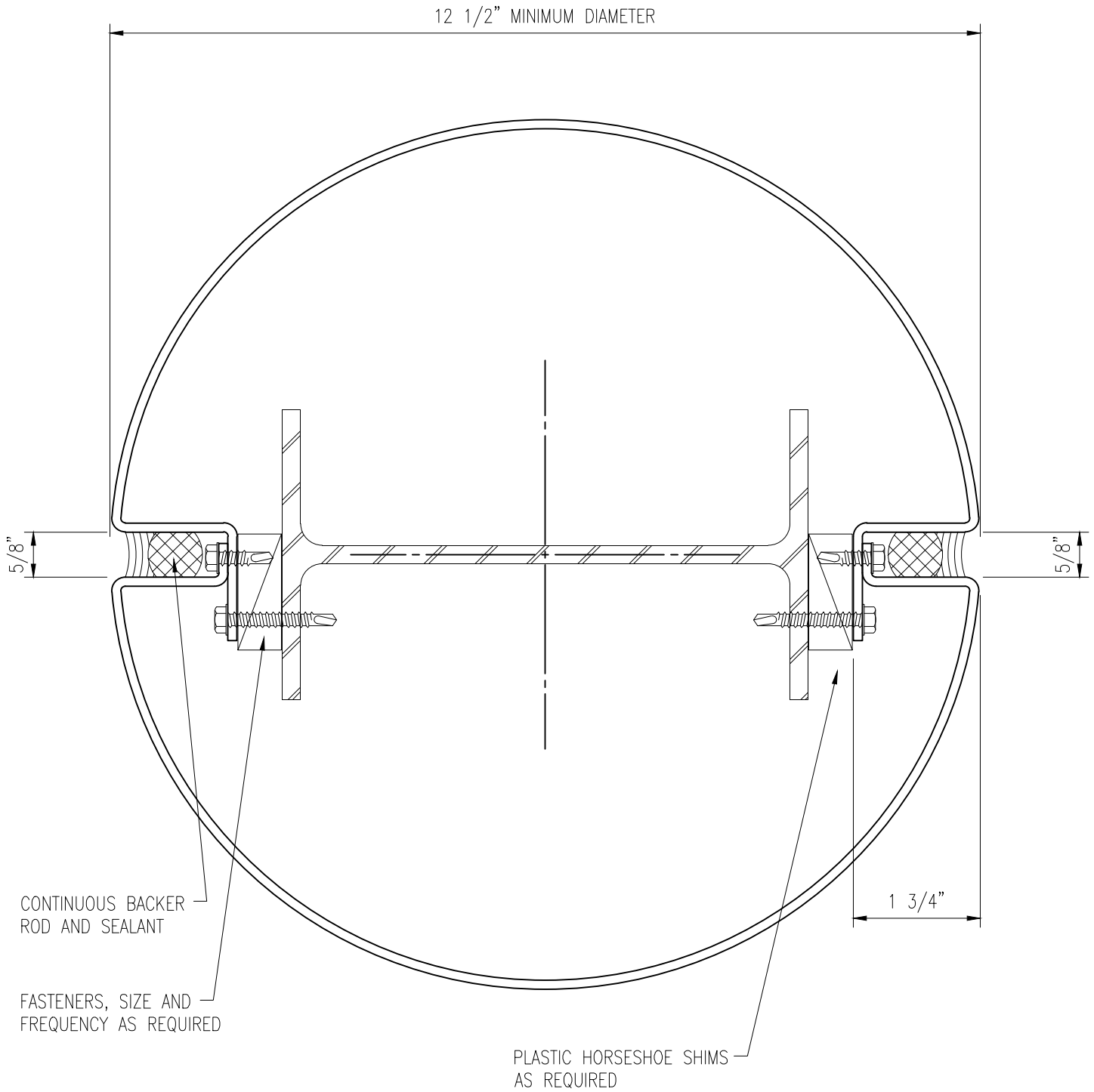
- 1) PLAN DETAIL METAL-LOK KEY HOLE CONNECTION
- 2) PLAN DETAIL SEALED JOINT
- 3) FRAMING OPTIONS
- 4) STANDARD HEAD AND BASE DETAILS
- 5) OPTIONAL HEAD AND BASE DETAILS
- 6) OPTIONAL ADJUSTABLE SPRING RING DETAILS
- 7) OPTIONAL HEAD AND BASE REVEALS
- 8) OPTIONAL HEAD DETAIL
- 9) STANDARD HORIZONTAL JOINTS
- 10) OPTIONAL HORIZONTAL REVEALS
- 11) OPTIONAL VERTICAL JOINT BATTEN DETAIL
- 12) STANDARD BEAM WRAP DETAIL
- 13) OPTIONAL COLUMN COVER AND BEAM WRAP PROFILES



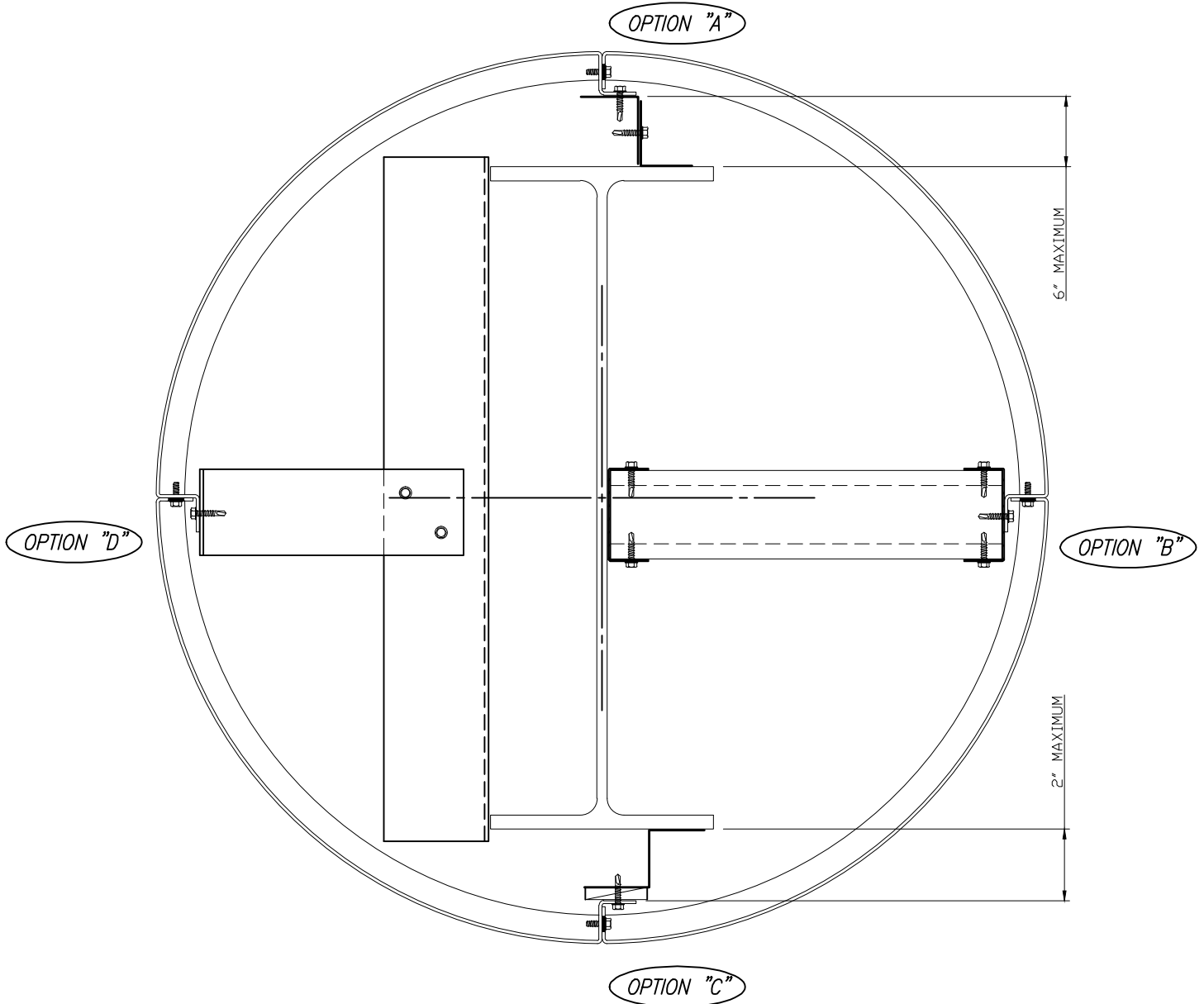
KEYHOLE SLOT
PUNCH

KEYHOLE
ENGAGEMENT DETAIL

1) METAL-LOK KEY HOLE CONNECTION VERTICAL DETAIL



2) METAL-LOK SEALED VERTICAL DETAIL



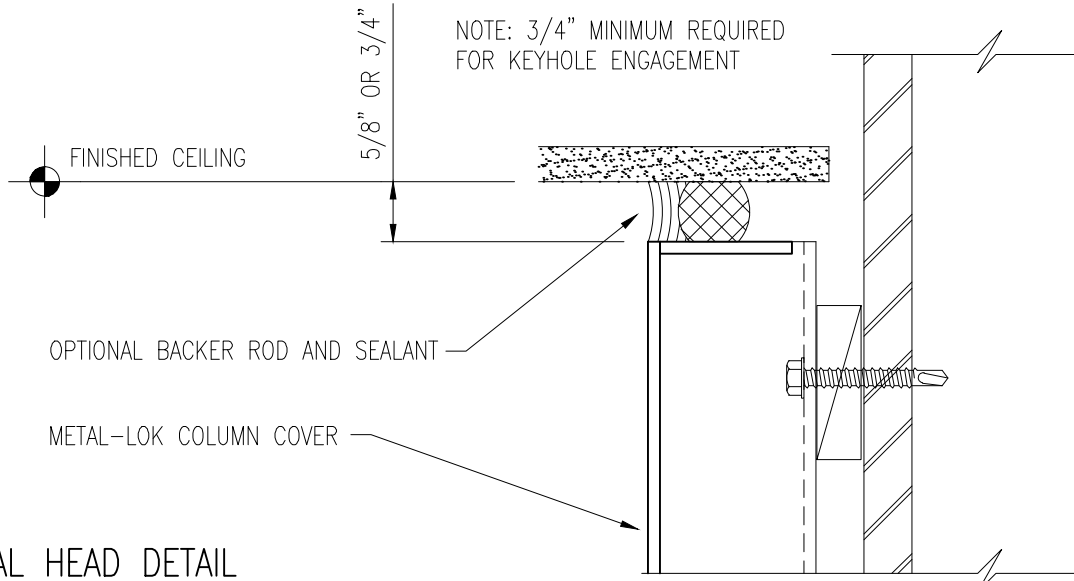
FRAMING OPTIONS

- OPTION "A" BACK TO BACK ANGLES
- OPTION "B" BUILT UP STUD FRAMING
- OPTION "C" CONTINUOUS "ZEE" AND SHIMS
- OPTION "D" CLIP ANGLES SPACED AS REQUIRED

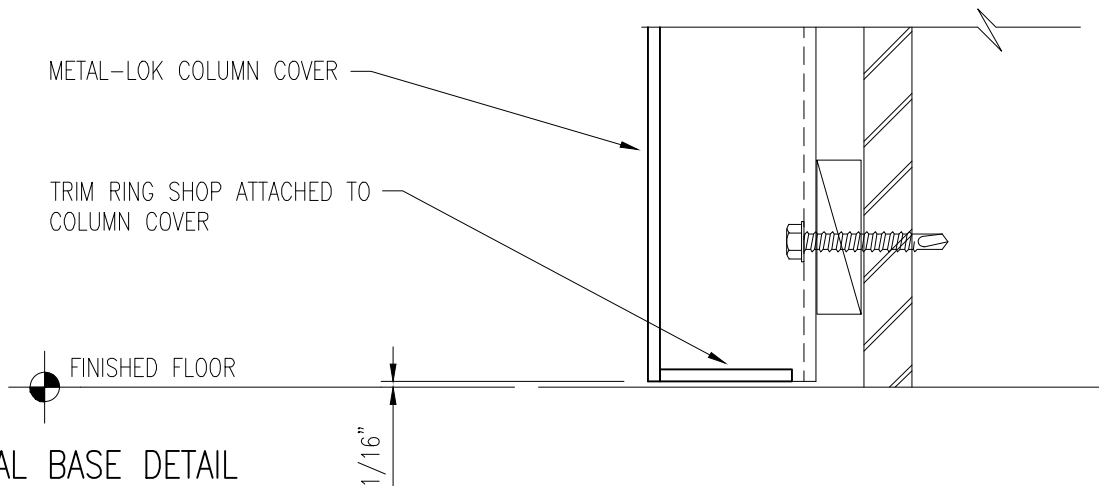
ALL FRAMING PARTS ARE 16 GAGE
MINIMUM GALVANIZED STEEL.

INSTALLATION NOTE:
FIELD ATTACH FRAMING WITH FASTENERS, SHOT & PIN, OR WELD. TO BE DETERMINED
BASED ON LOAD AND SPEC REQUIREMENTS.
FRAMING METHODS CAN BE APPLIED TO ALL VERTICAL JOINT DETAILS.

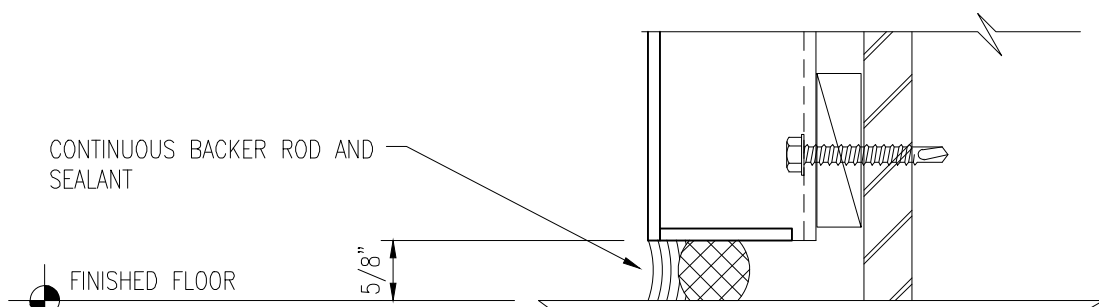
3) FRAMING OPTIONS



5A) TYPICAL HEAD DETAIL

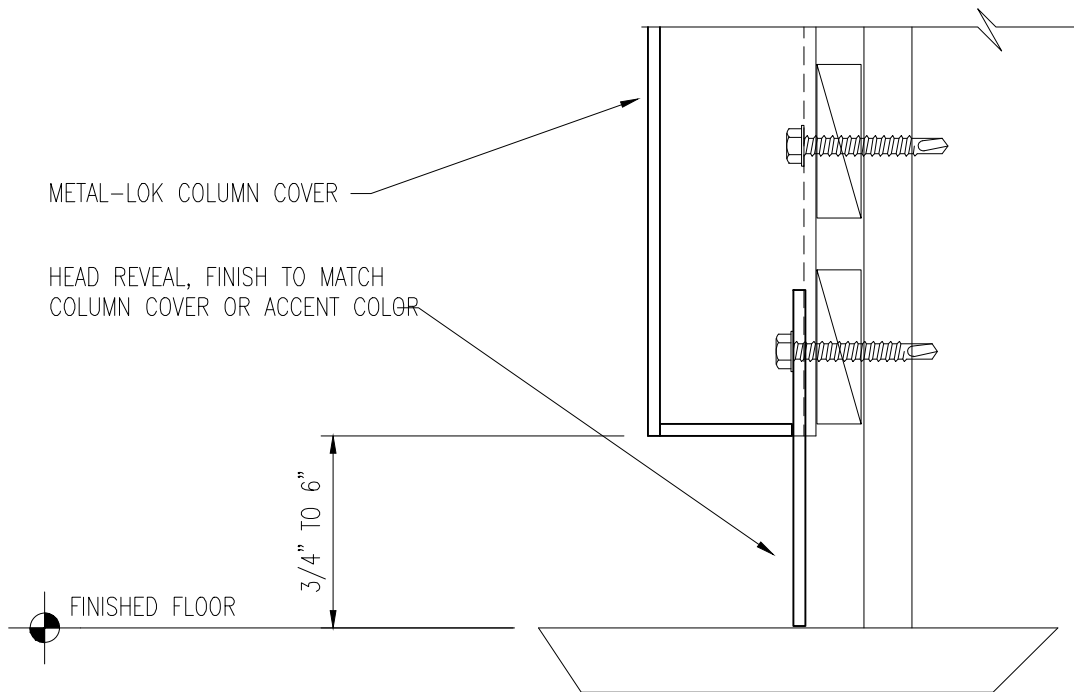
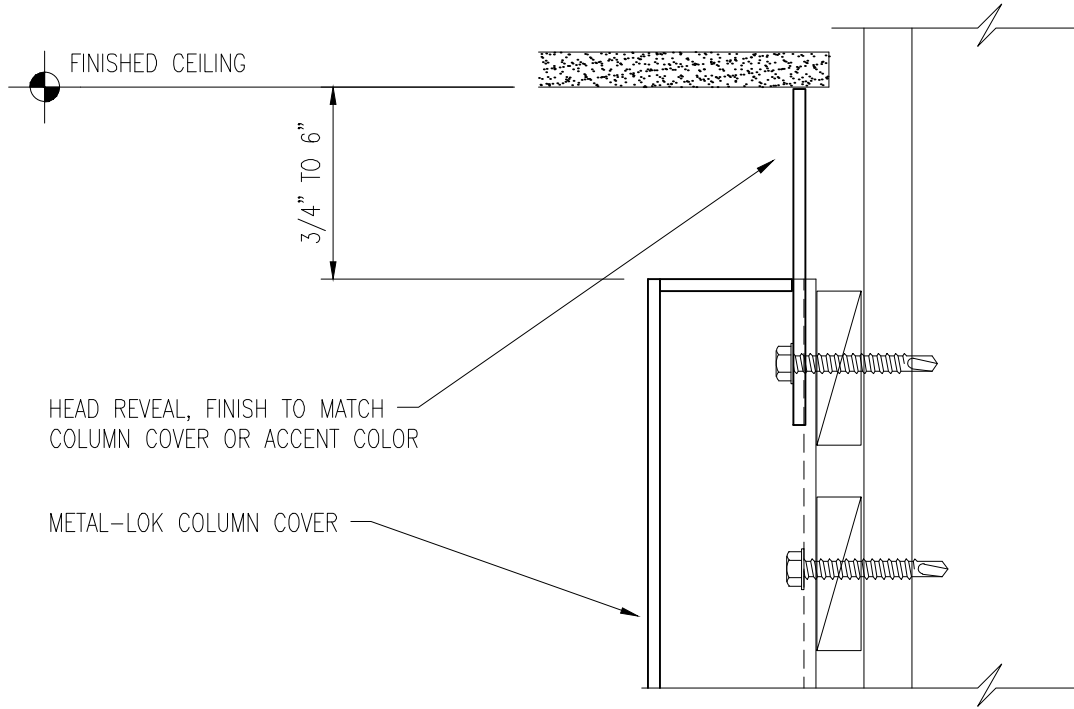


5B) TYPICAL BASE DETAIL

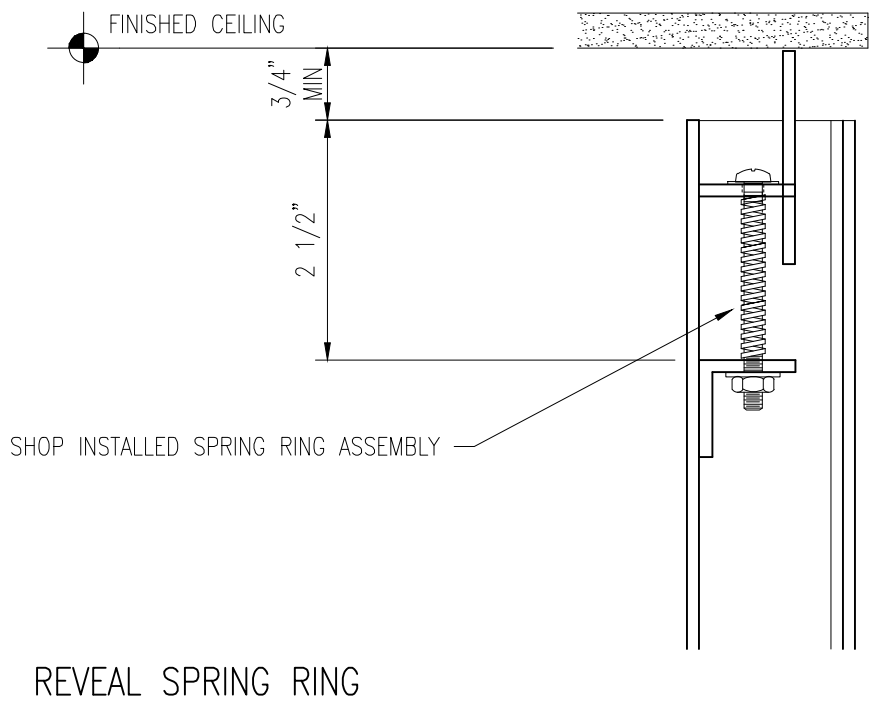
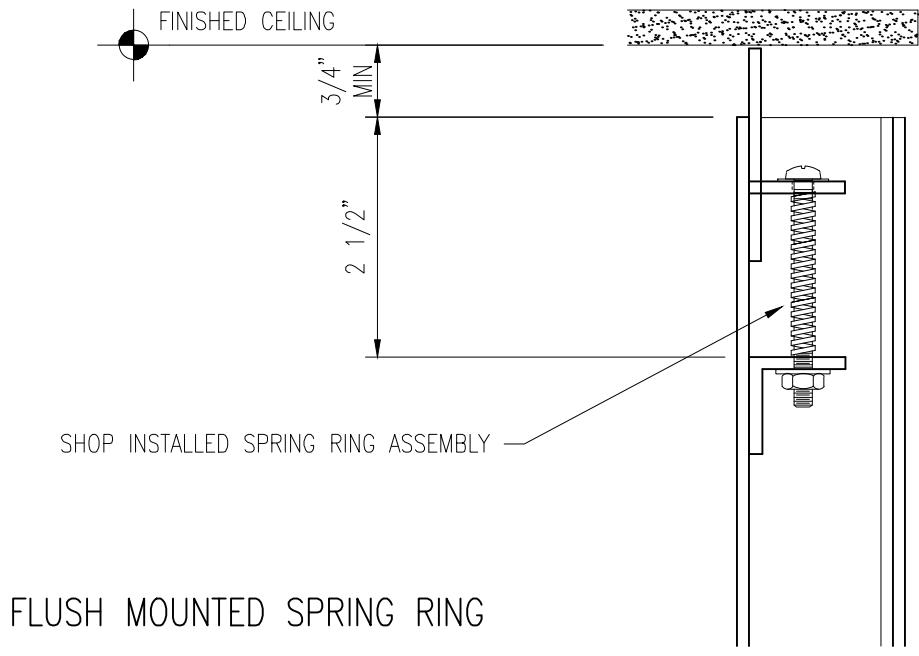


5C) TYPICAL SEALED BASE DETAIL

4) STANDARD METAL-LOK HEAD AND BASE DETAILS

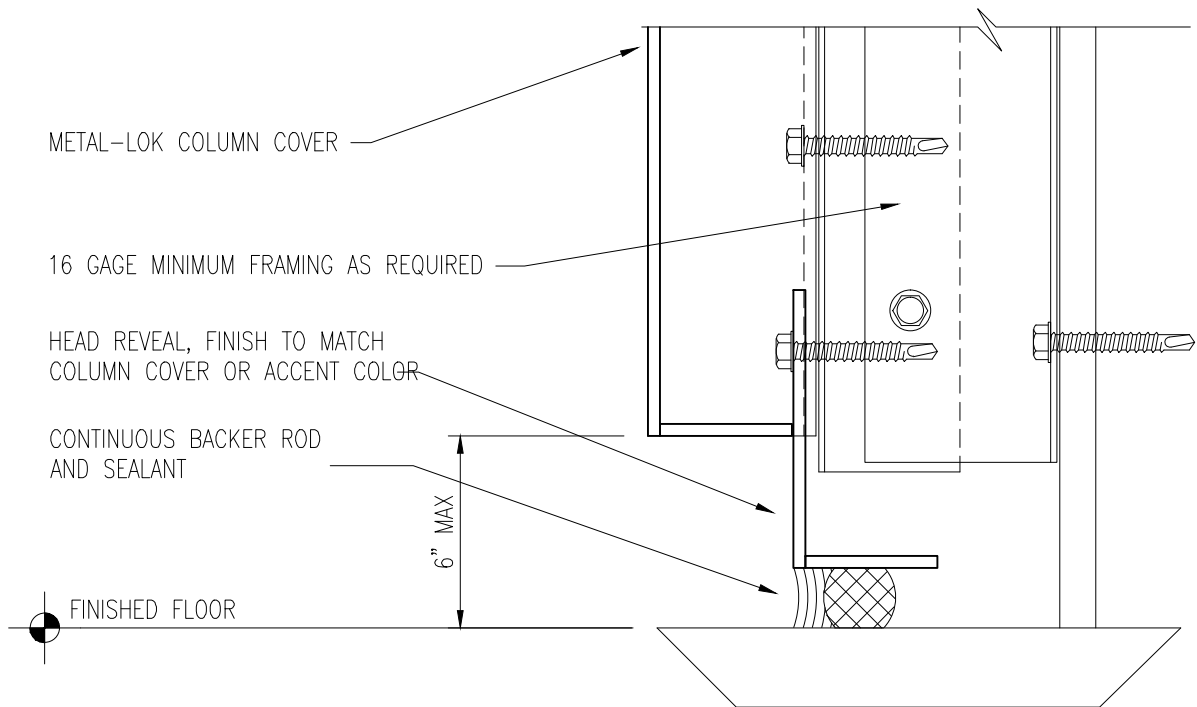
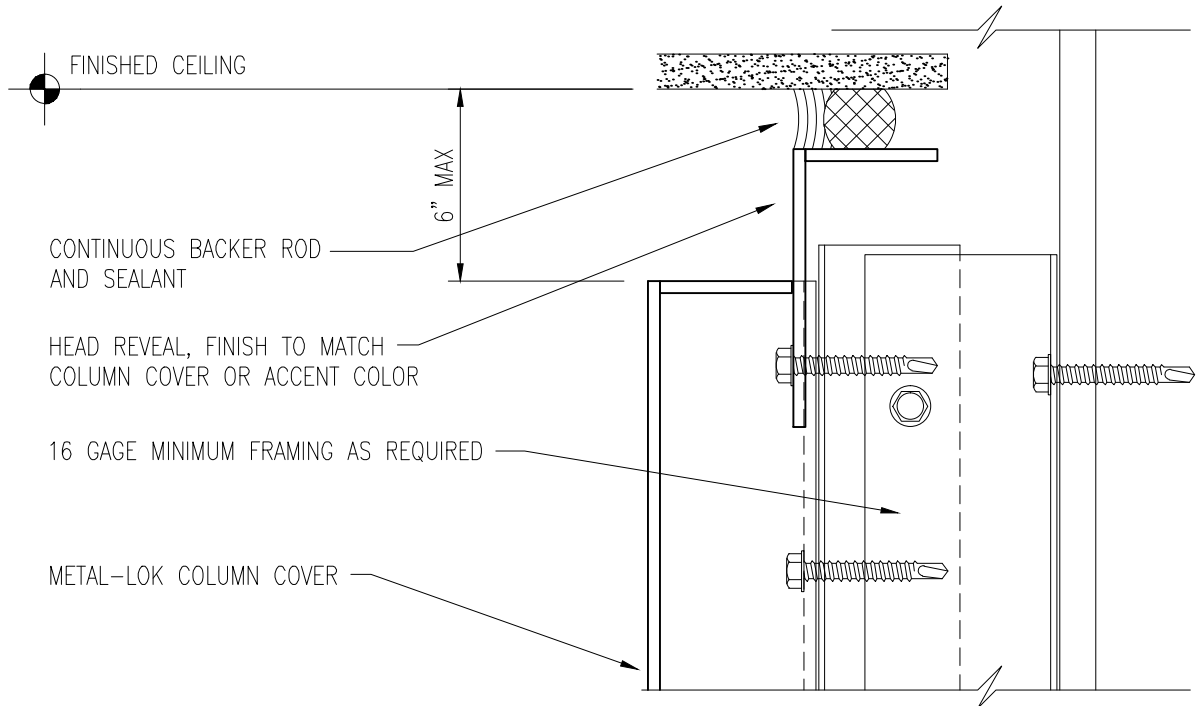


5) OPTIONAL METAL-LOK HEAD AND BASE REVEAL DETAILS

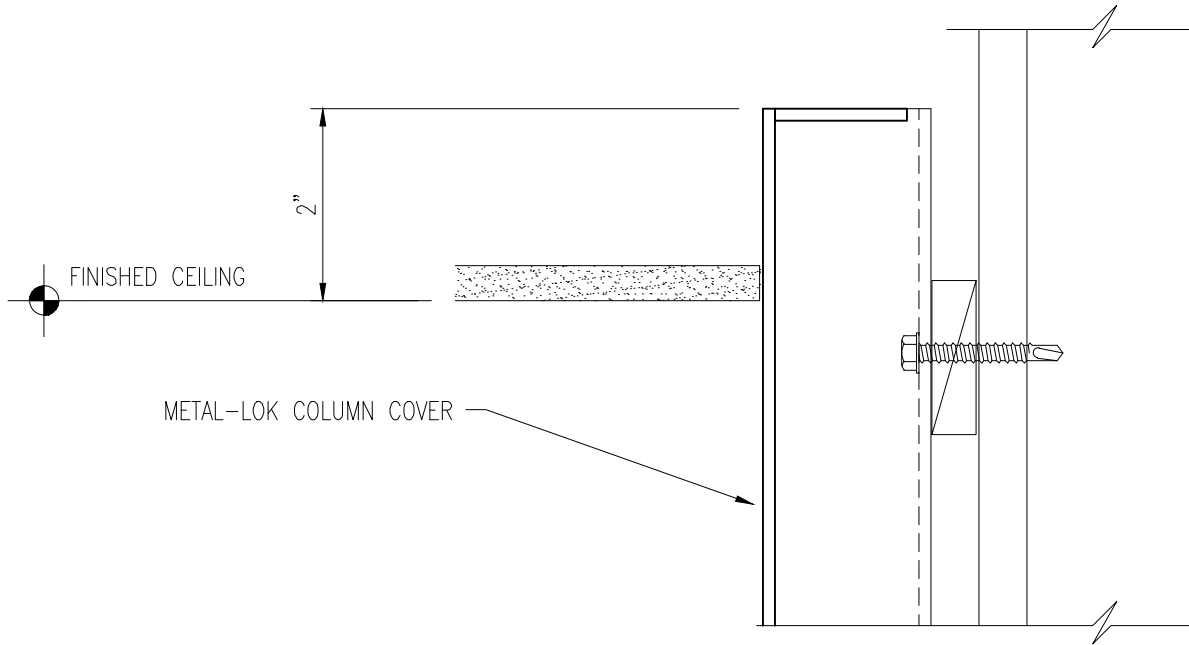


SPRING RING DETAILS NOT RECOMENDED FOR EXTERNAL USE

6) OPTIONAL ADJUSTABLE SPRING RING DETAILS AT COLUMN COVER HEAD

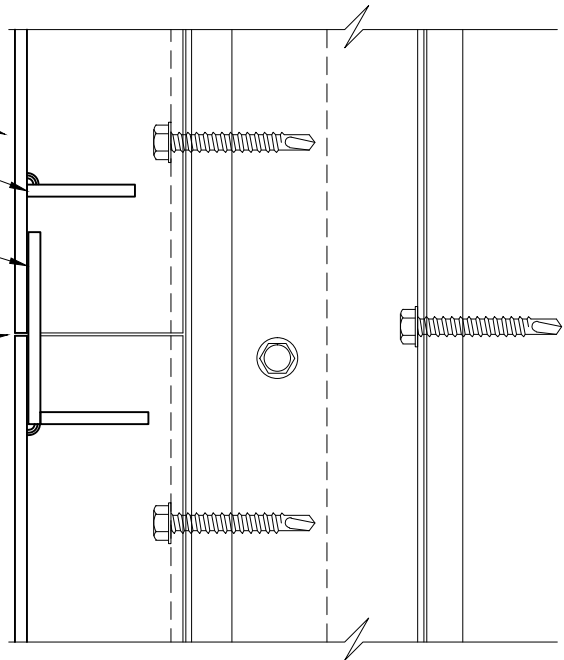


7) OPTIONAL REVEALS AT SEALED COLUMN COVERS



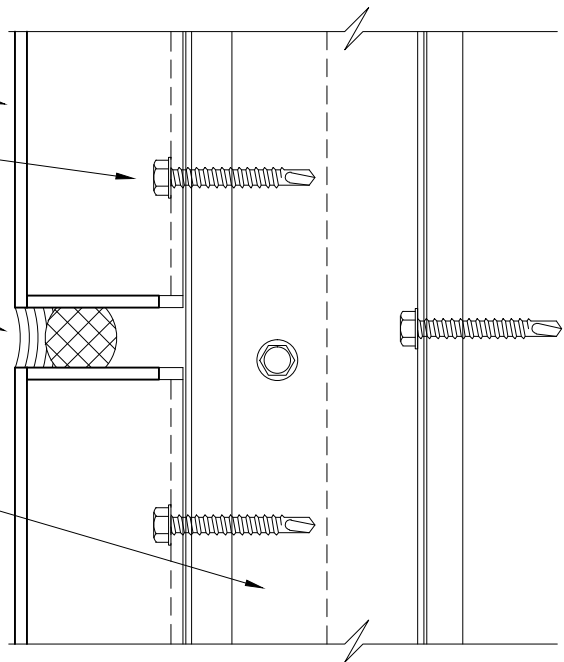
8) OPTIONAL HEAD DETAIL

METAL-LOK COLUMN COVER
STIFFENER RING SHOP ATTACHED TO COLUMN COVER
SPLICE PLATE SHOP ATTACHED TO COLUMN COVER
HAIRLINE JOINT



STANDARD JOINT FOR KEYHOLE SLOT CONNECTION

METAL-LOK COLUMN COVER
#12 FASTENERS AS REQUIRED
CONTINUOUS BACKER ROD AND SEALANT
5/8"
16 GAGE MINIMUM FRAMING AS REQUIRED



STANDARD JOINT FOR SEALED CONNECTION

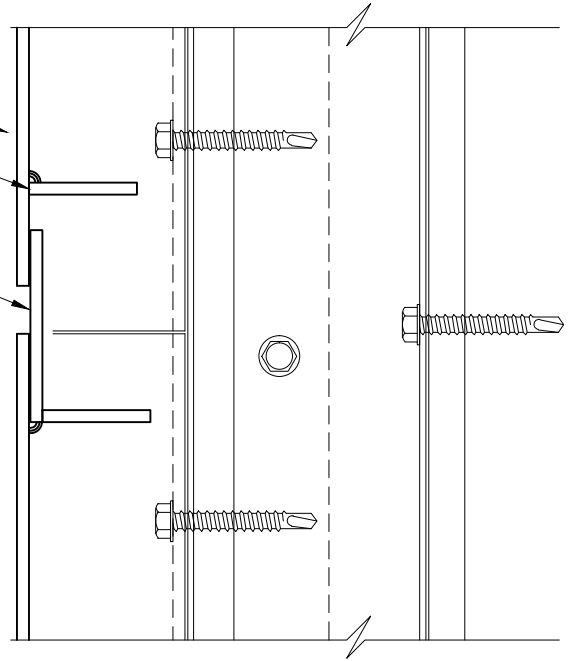
9) STANDARD HORIZONTAL JOINT DETAILS

METAL-LOK COLUMN COVER

STIFFENER RING SHOP ATTACHED TO COLUMN COVER

REVEAL SHOP ATTACHED TO COLUMN COVER

1/2"
STANDARD



STANDARD JOINT FOR KEYHOLE SLOT CONNECTION

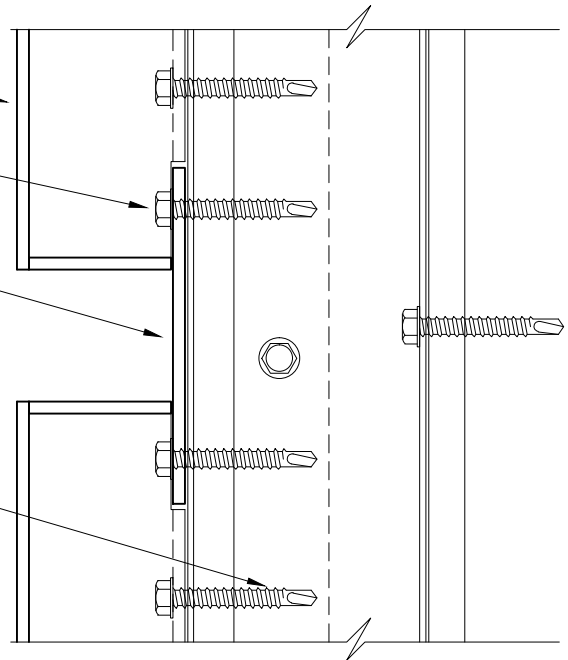
METAL-LOK COLUMN COVER

#12 FASTENERS AS REQUIRED

REVEAL RING, FINISH TO MATCH COLUMN COVER OR ACCENT COLOR

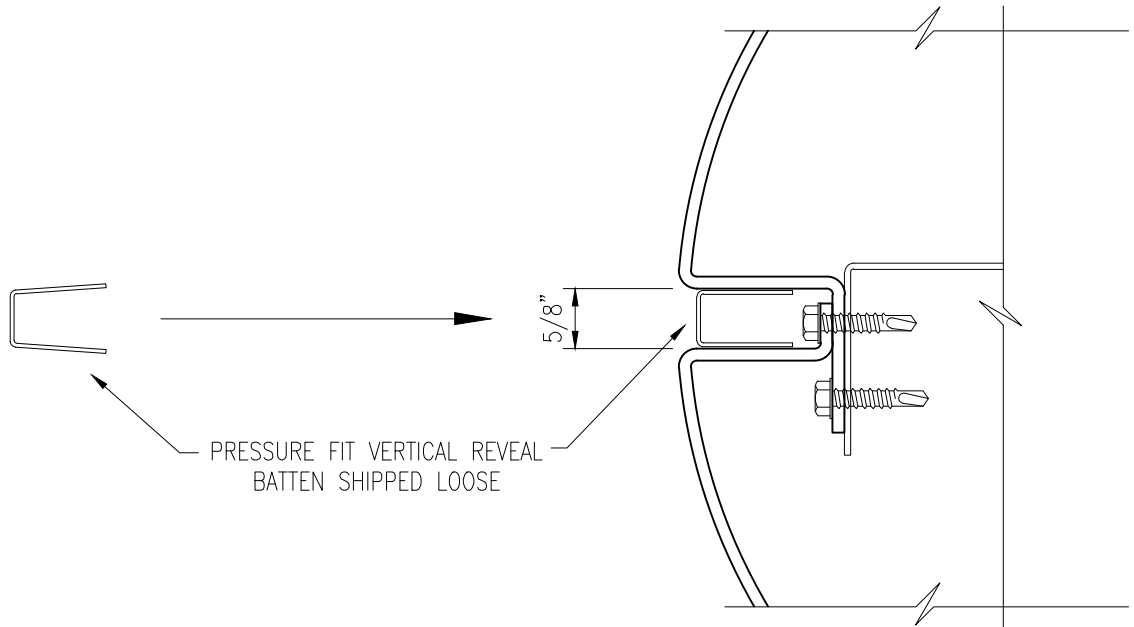
6" MAX

16 GAGE MINIMUM FRAMING AS REQUIRED



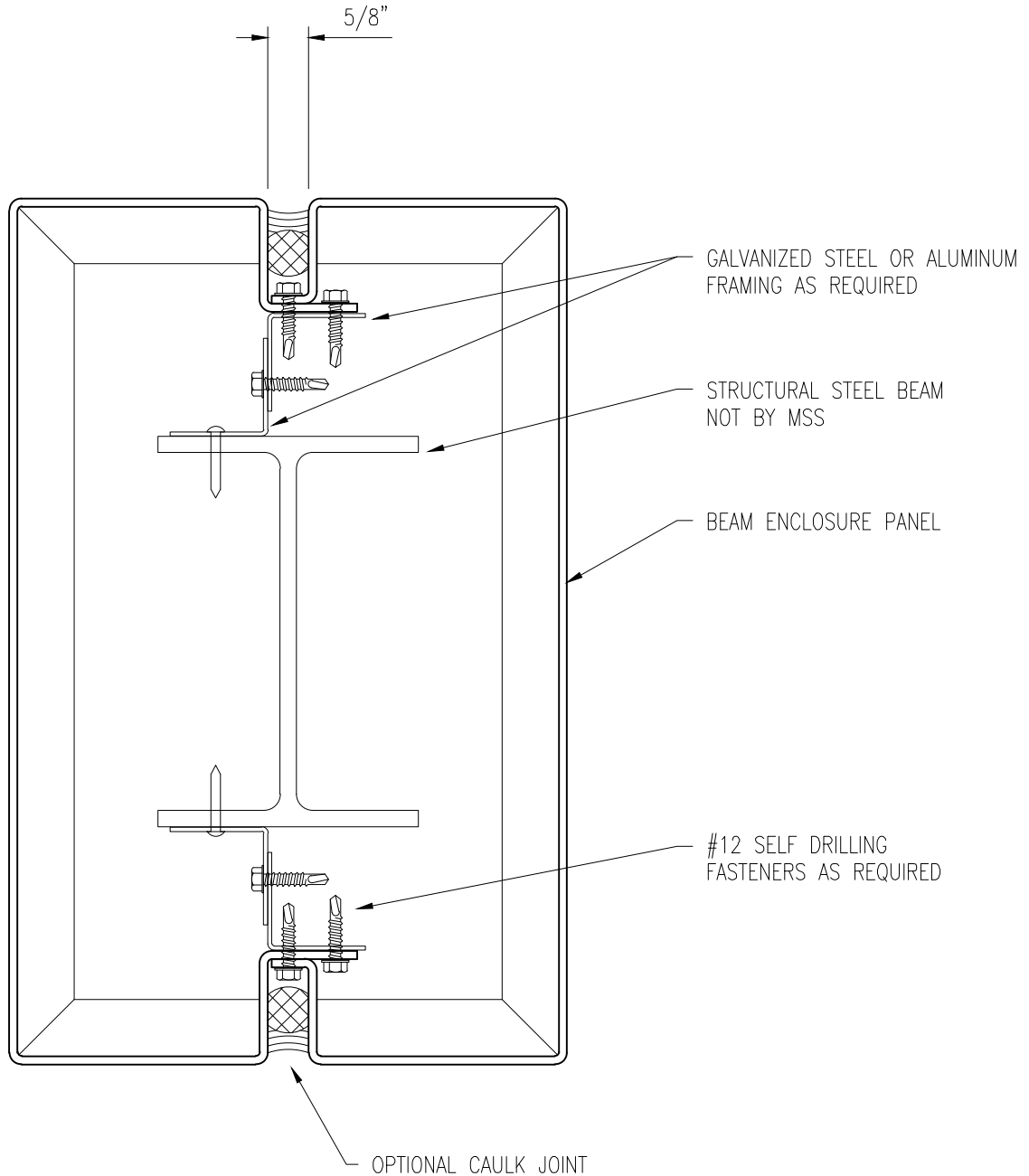
OPTIONAL REVEAL JOINT
RECOMMENDED FOR INTERIOR USE ONLY

10) OPTIONAL HORIZONTAL JOINT DETAILS

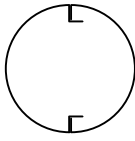


VERTICAL REVEAL JOINT DETAIL
WITH BATTEN

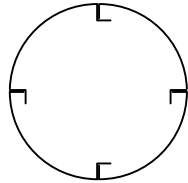
11) OPTIONAL HORIZONTAL JOINT DETAILS



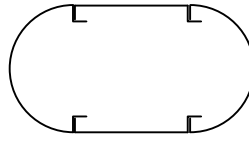
12) STANDARD BEAM WRAP DETAIL



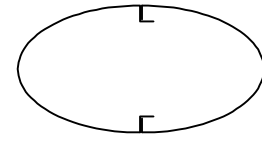
ROUND



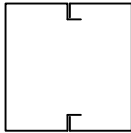
LARGE DIAMETER



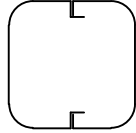
RACE TRACK



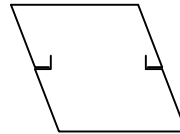
ELLIPTICAL



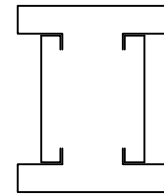
SQUARE



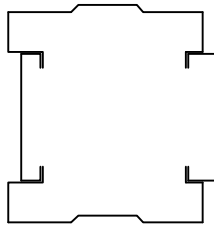
ROUND CORNERS



PARALLELOGRAM



"I" BEAM



CUSTOM

METALWERKS CAN PRODUCE METAL-LOK COLUMN COVERS IN WIDE ARRAY OF SHAPES AND SIZES. PLEASE CONTACT METALWERKS FOR MORE INFORMATION.

13) OPTIONAL COLUMN COVER AND BEAM WRAP PROFILES