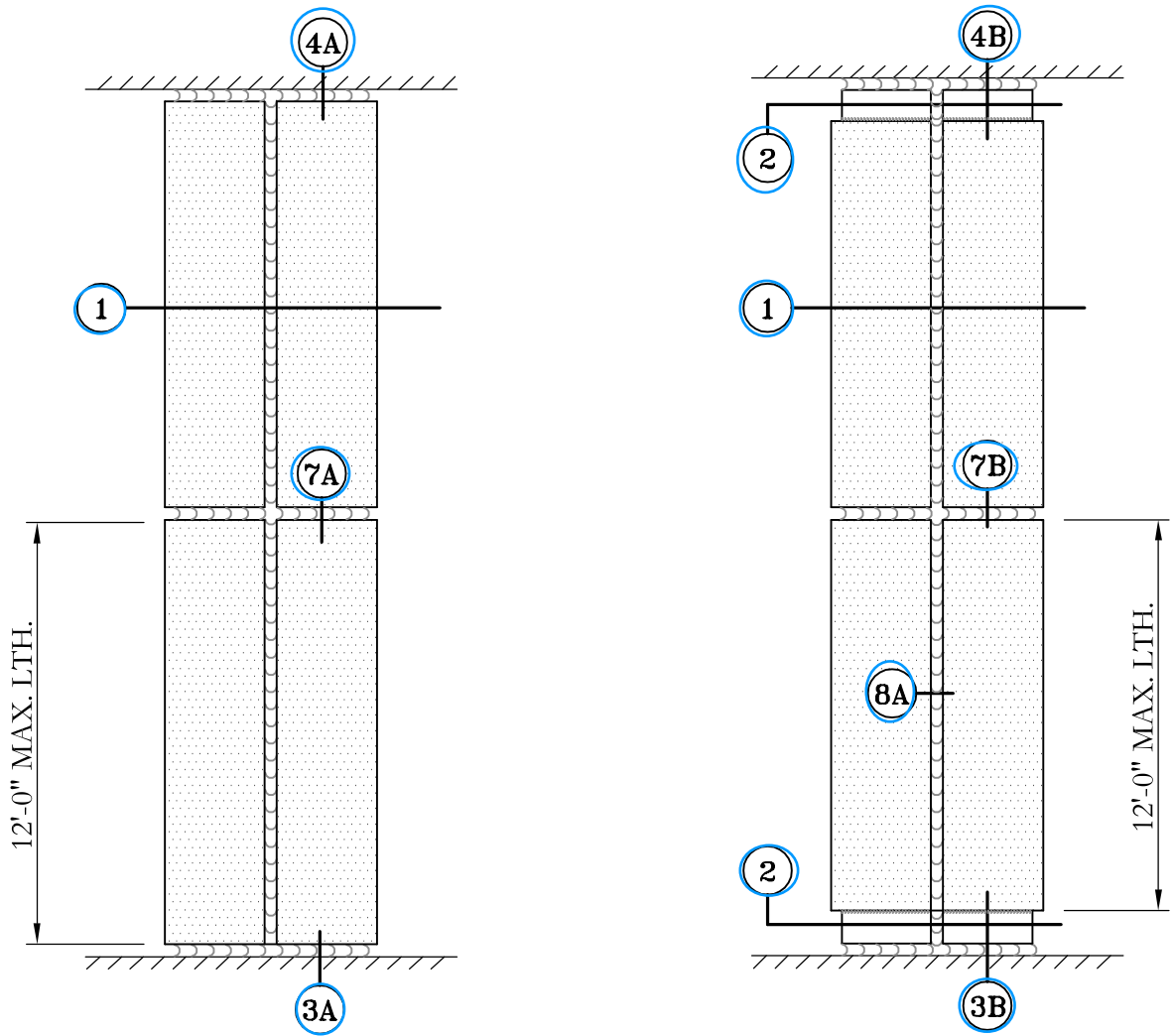
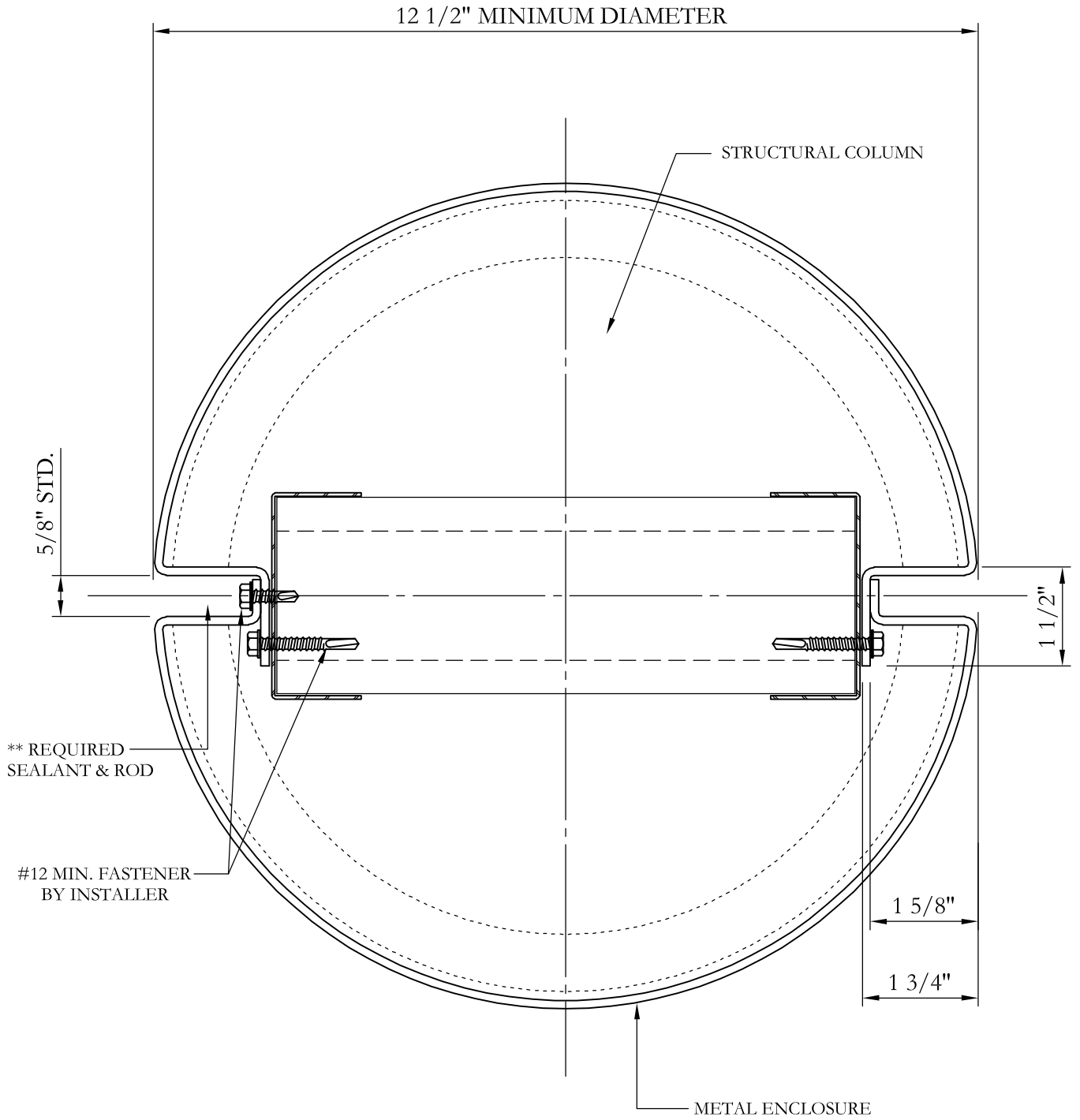


SEALED ORNAMENTAL METAL ENCLOSURES (STANDARD DETAILS)

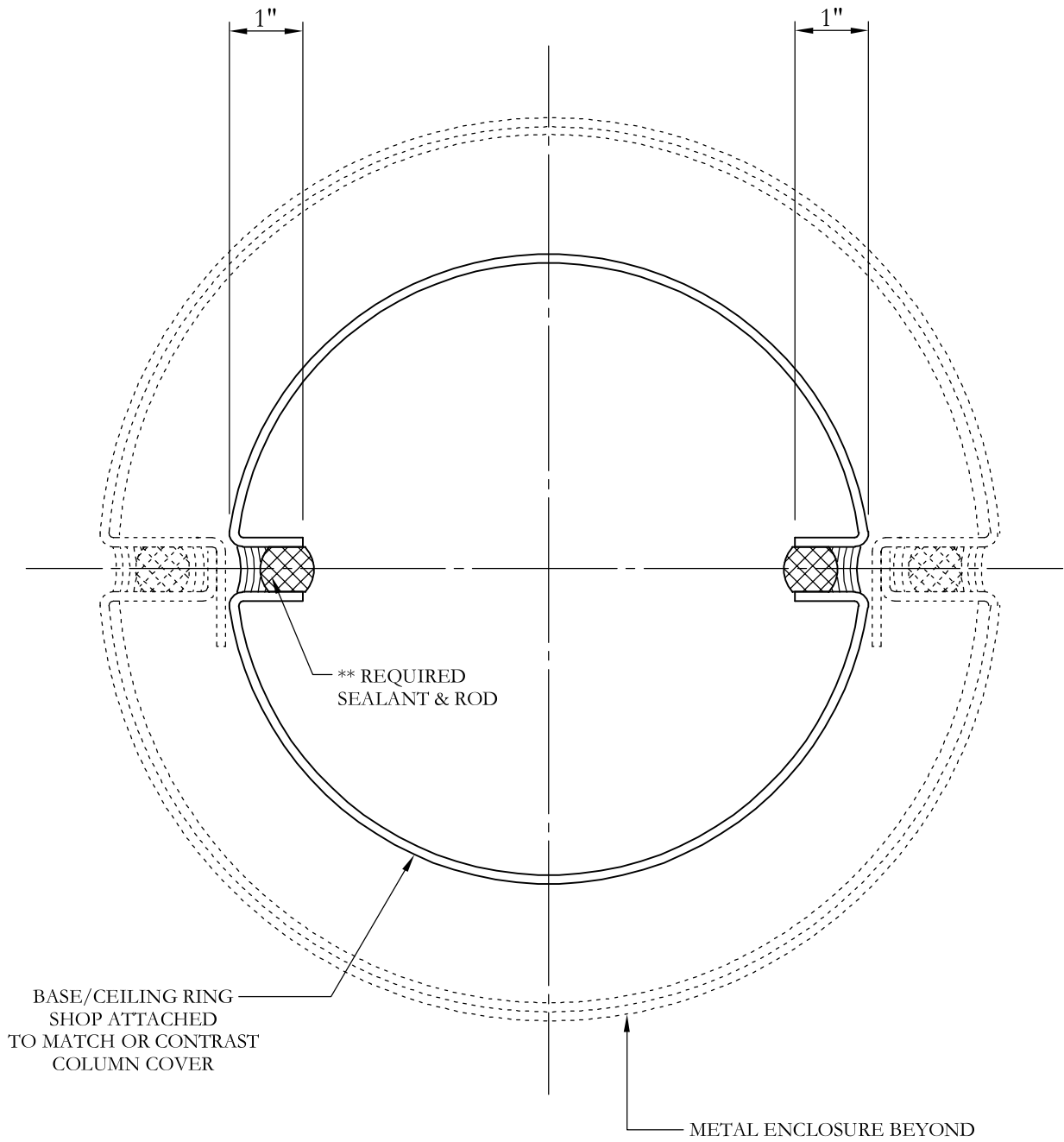


MENU

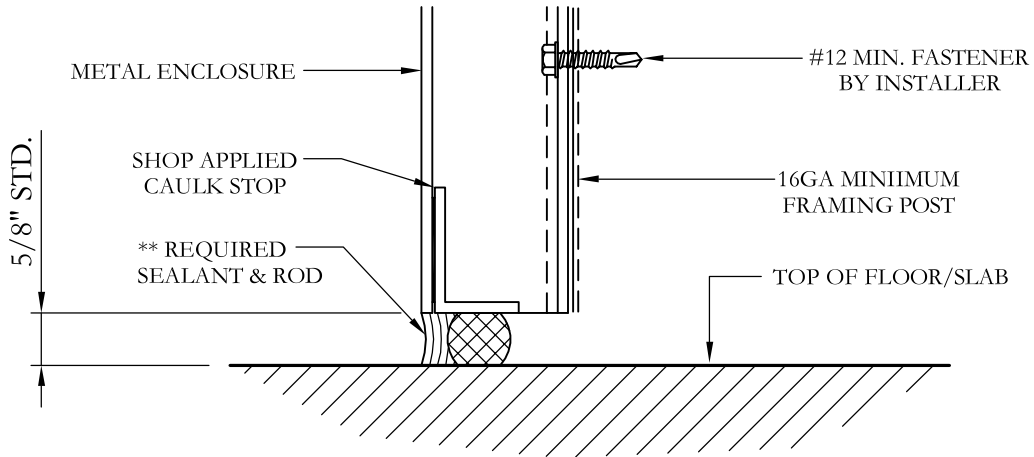
- 1) Typical Vertical Joint.
- 2) Plan at Base/Ceiling Reveal.
- 3) Base Options,
- 4) Ceiling/Soffit Options.
- 5) Horizontal Joint.



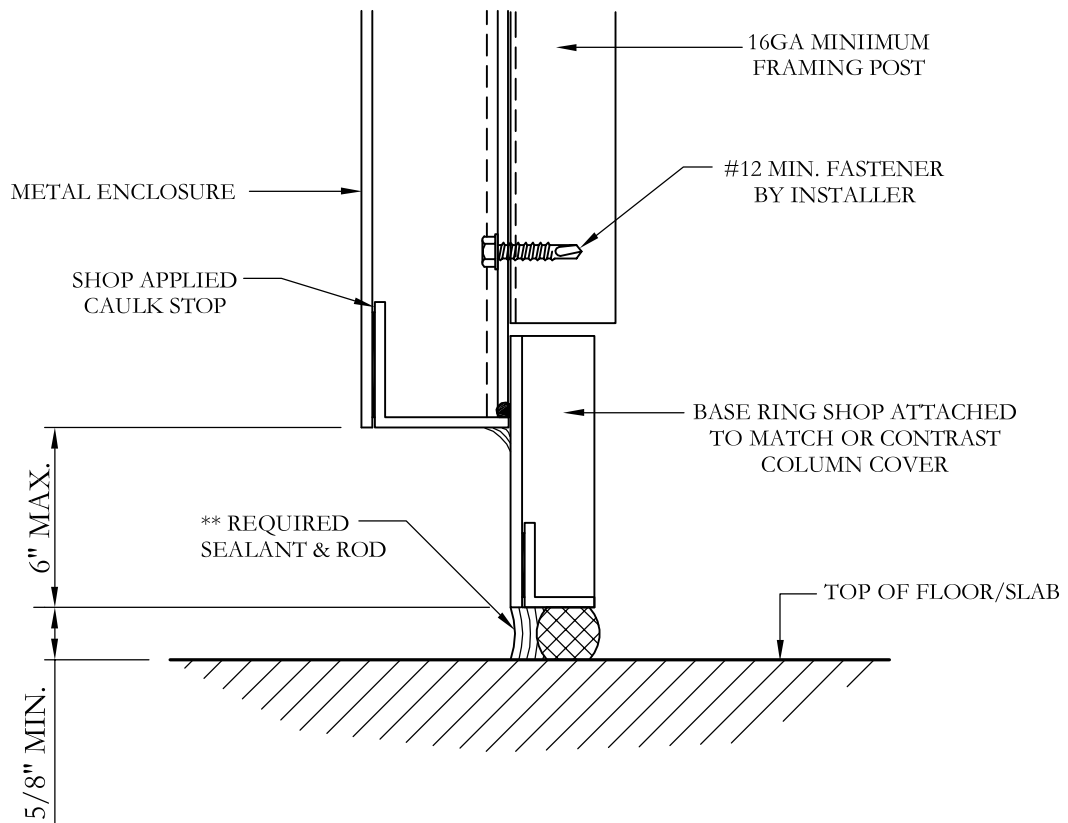
1) Typical Vertical Joint



2) Plan at Base/Ceiling Reveal

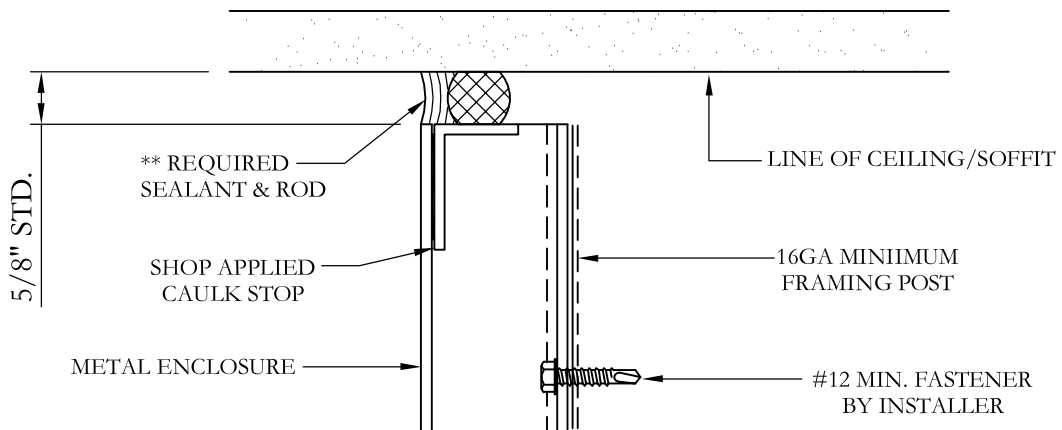


A) STANDARD REVEAL

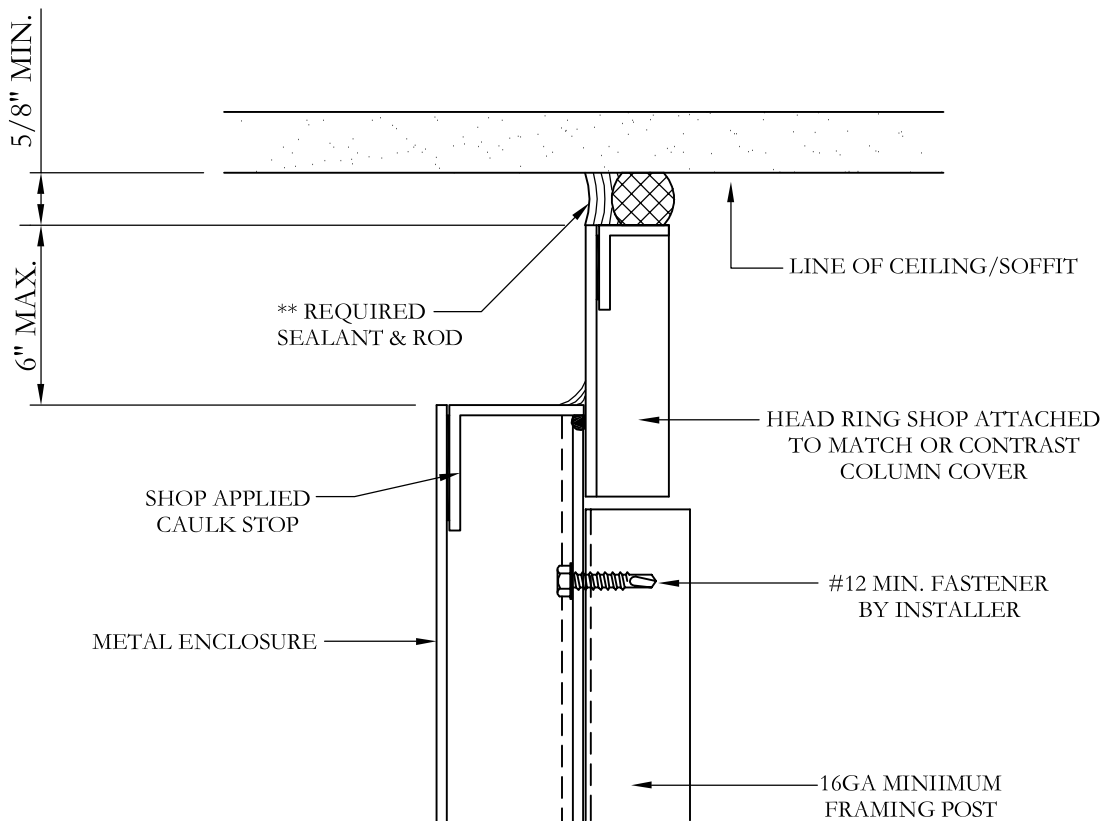


B) FACTORY ASSEMBLED REVEAL

3) Base Options

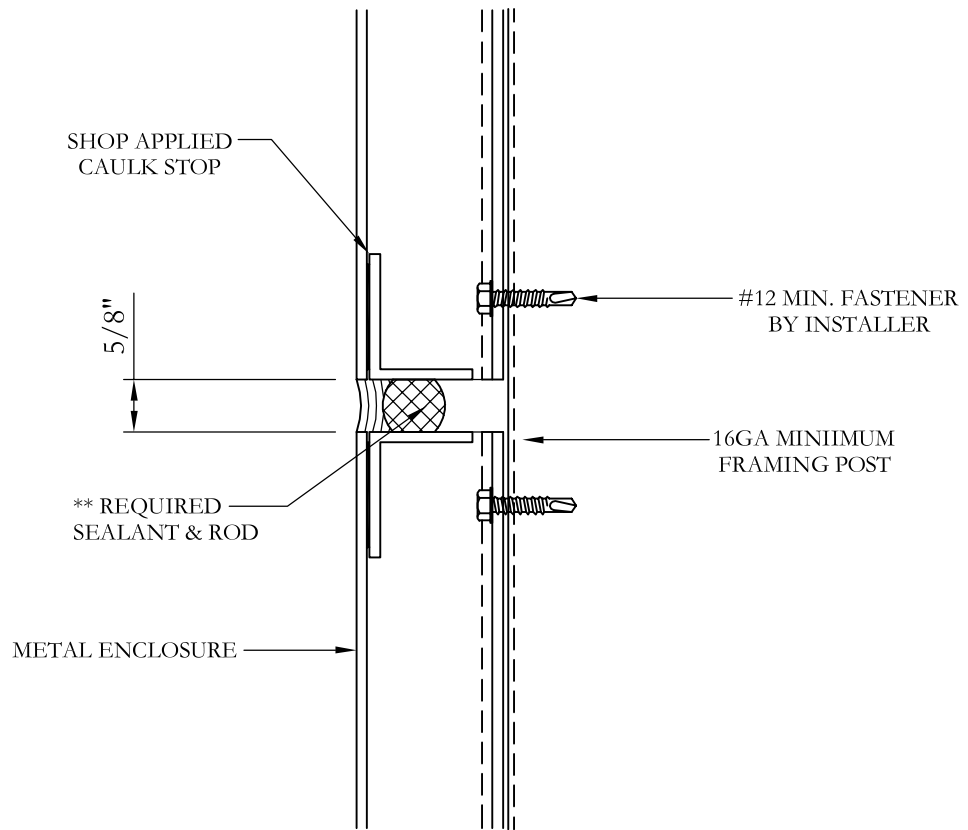


A) STANDARD REVEAL



B) STANDARD REVEAL

4) Ceiling/Soffit Options



5) Horizontal Reveal