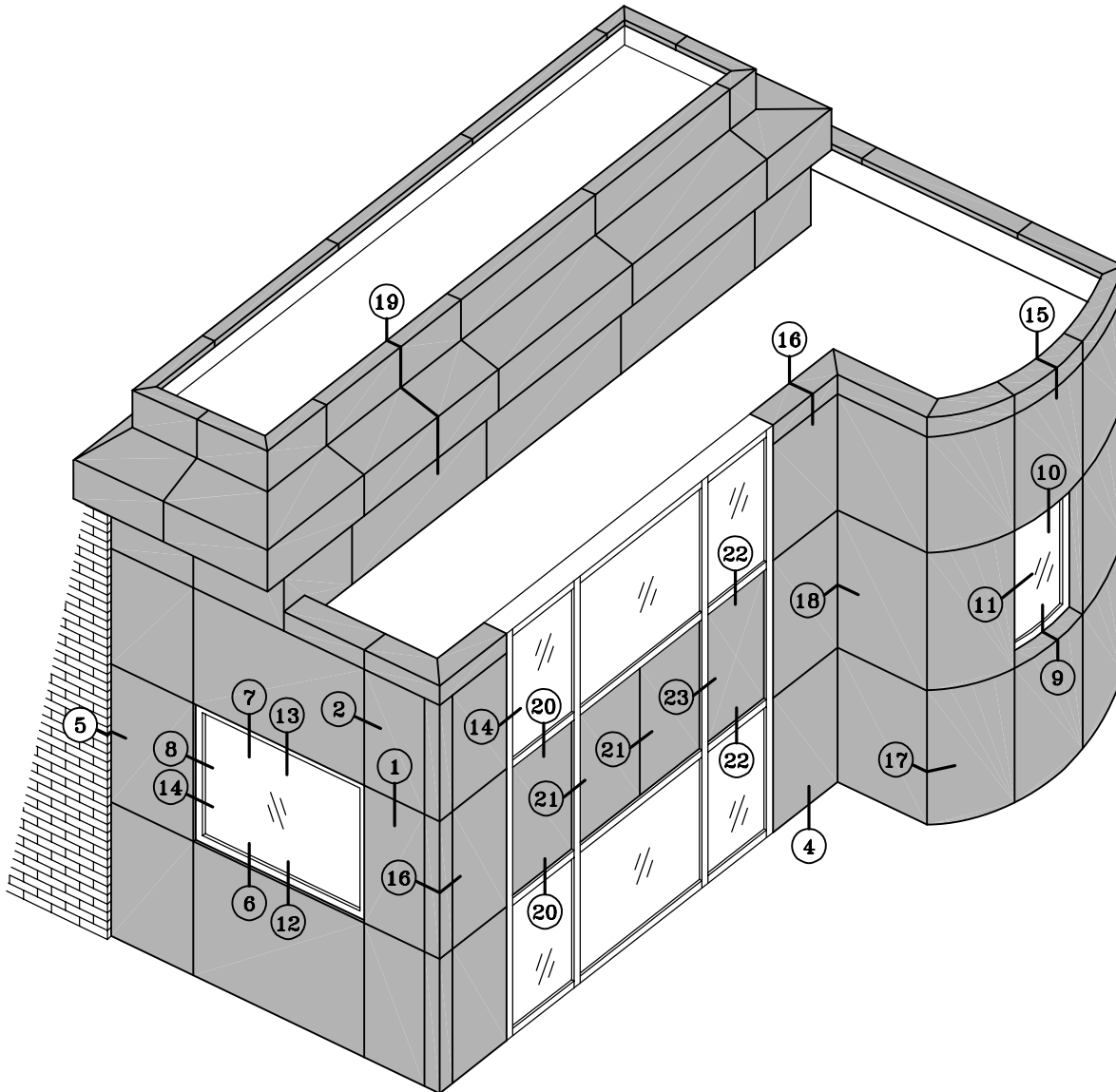


"ARCWALL 1500" (STANDARD DETAILS)

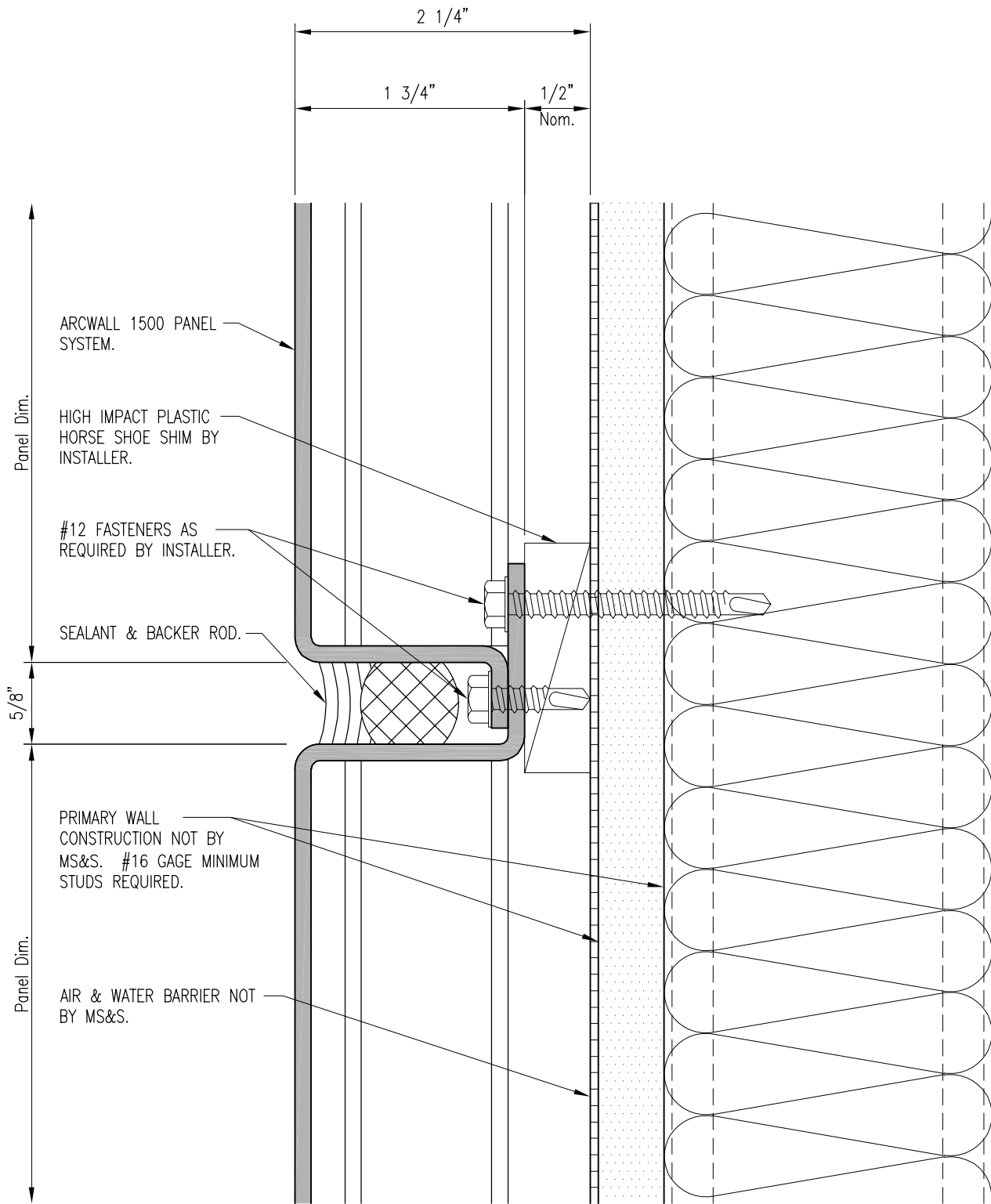


MENU

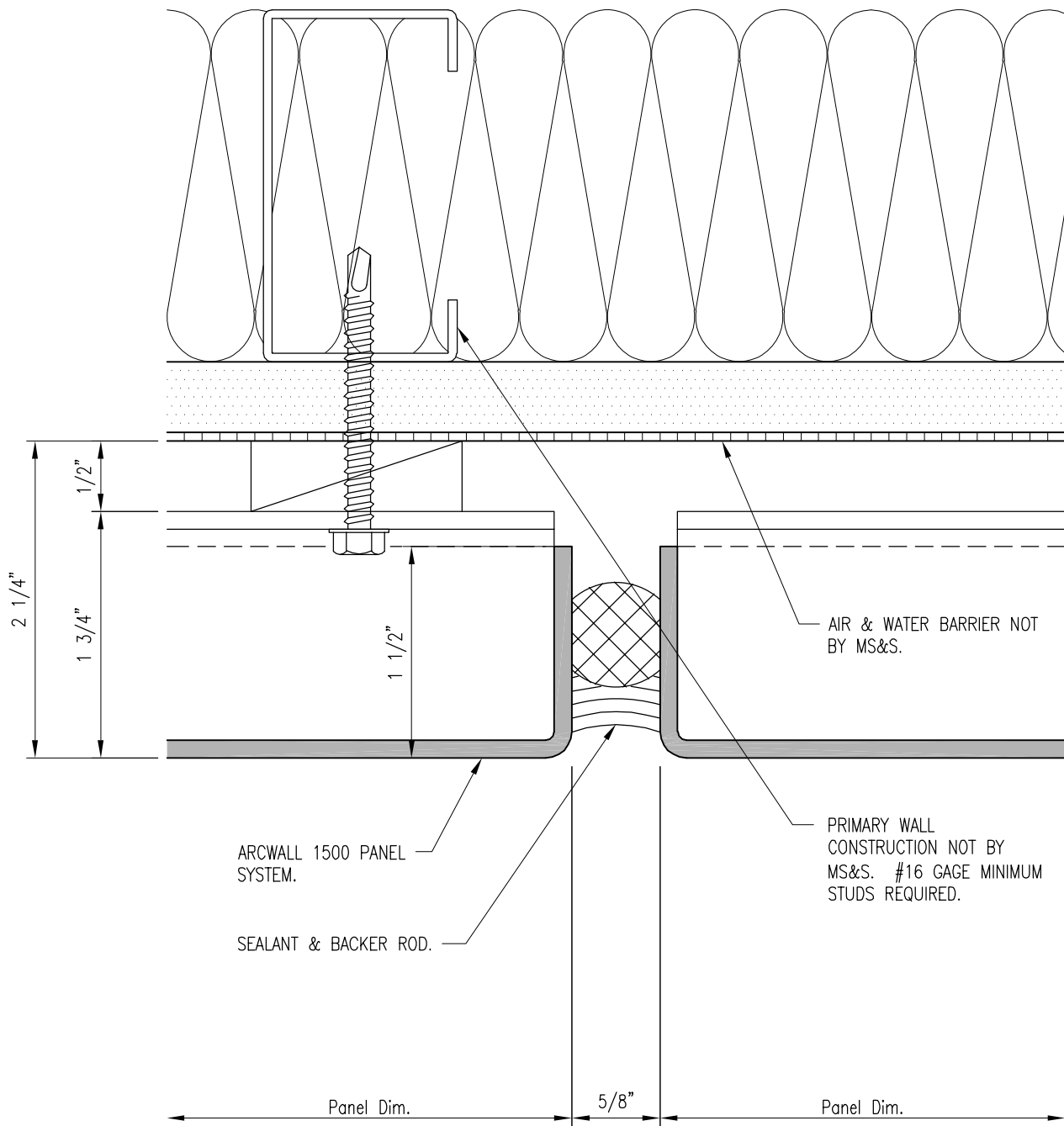
- Detail 1: Horizontal Joint
- Detail 2: Vertical Joint
- Detail 3: Panel Stiffener
- Detail 4: Panel Sill
- Detail 5: Panel Jamb at Wall
- Detail 6: Storefront Sill
- Detail 7: Storefront Head
- Detail 8: Storefront Jamb
- Detail 9: Recessed Storefront Sill
- Detail 10: Recessed Storefront Head
- Detail 11: Recessed Storefront Jamb
- Detail 12: Curtain Wall Sill

- Detail 13: Curtain Wall Head
- Detail 14: Curtain Wall Jamb
- Detail 15: Coping
- Detail 16: 90° Exterior Corner
- Detail 17: 90° Exterior Corner
- Detail 18: 90° Interior Corner
- Detail 19: Eyebrow Panel
- Detail 20: Glazed In Panel Head & Sill (Standard)
- Detail 21: Glazed In Panel Jamb (Standard)
- Detail 22: Glazed In Panel Head & Sill (Reveal)
- Detail 23: Glazed In Panel Jamb (Reveal)

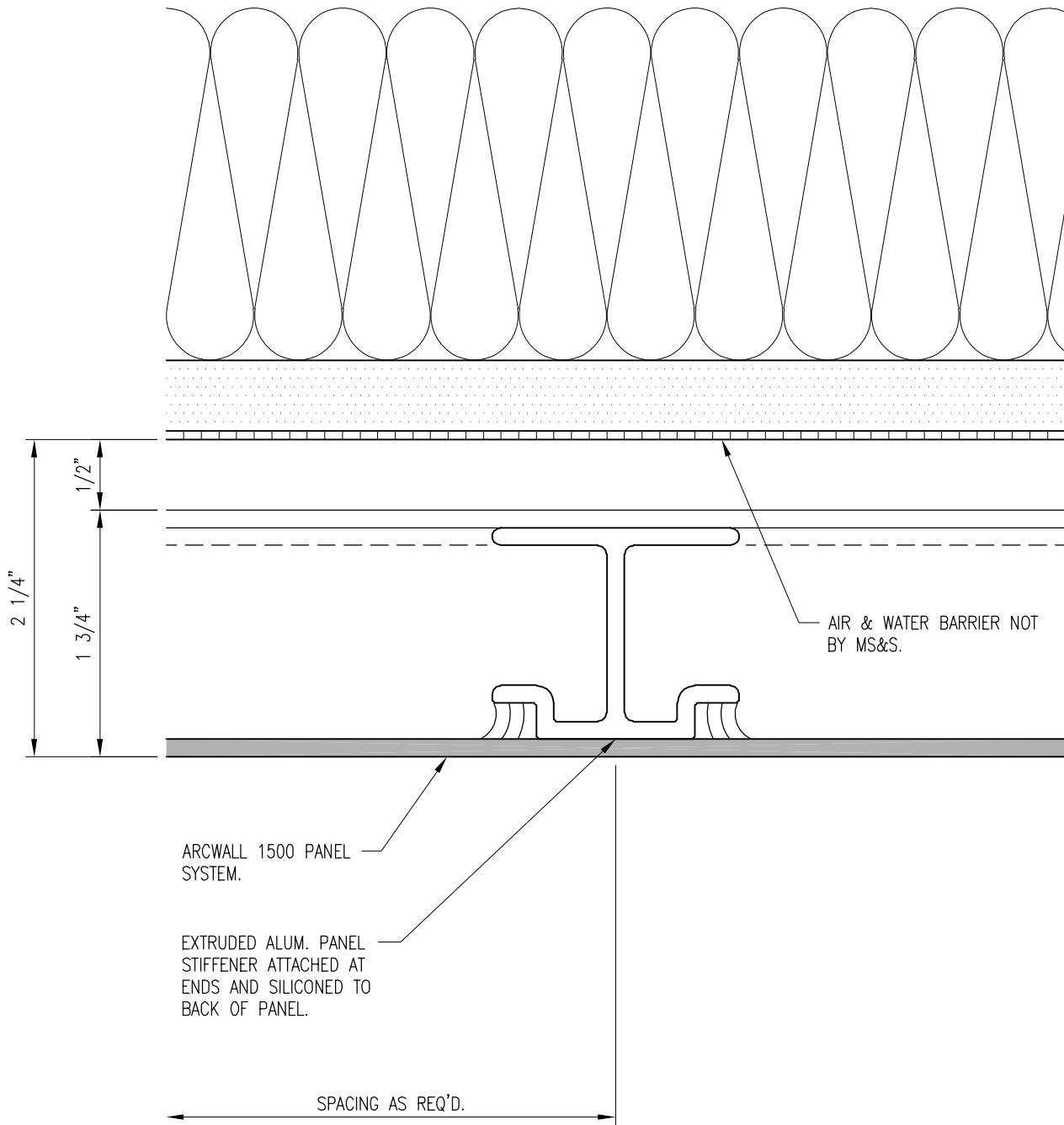




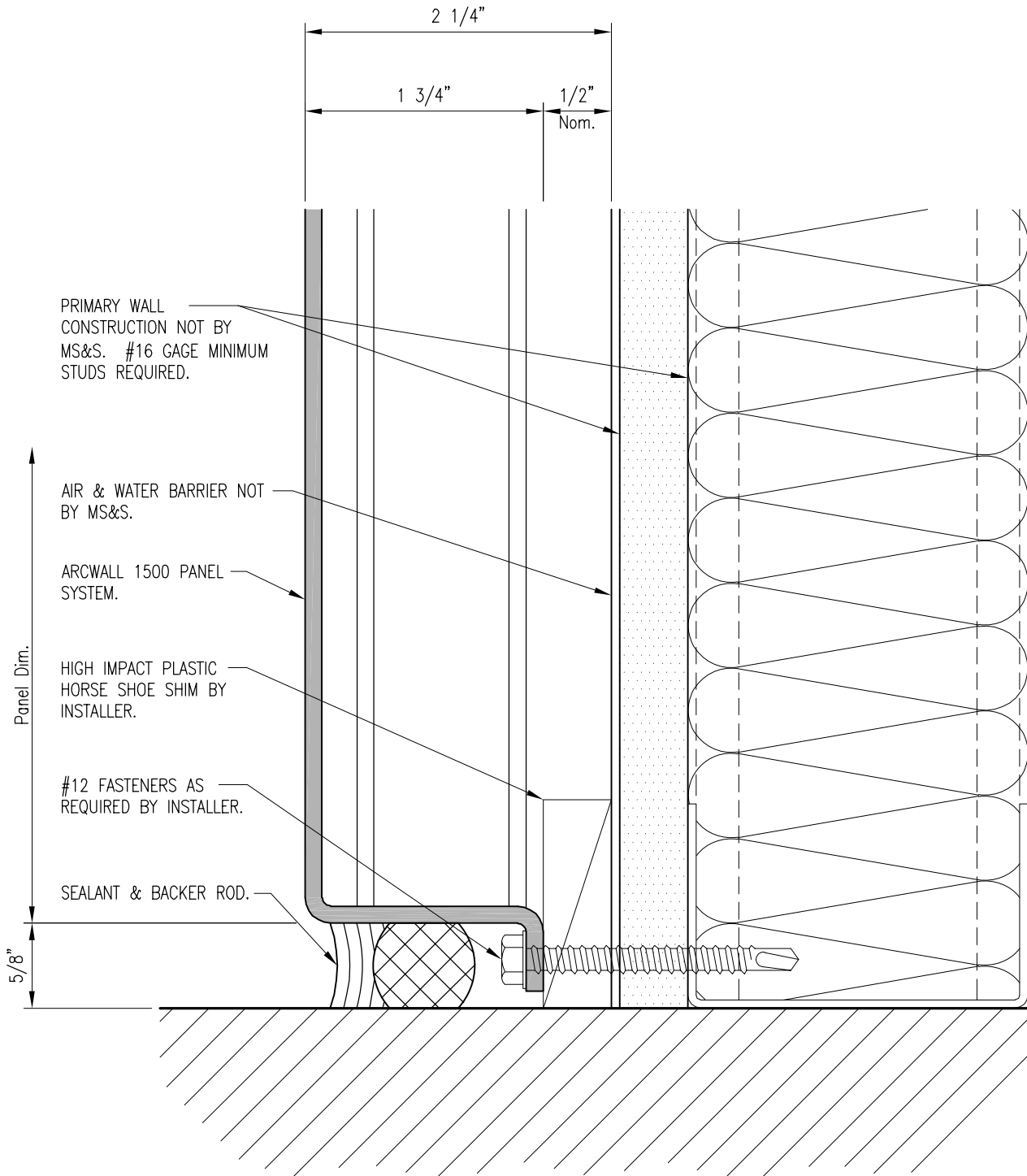
1) Horizontal Joint



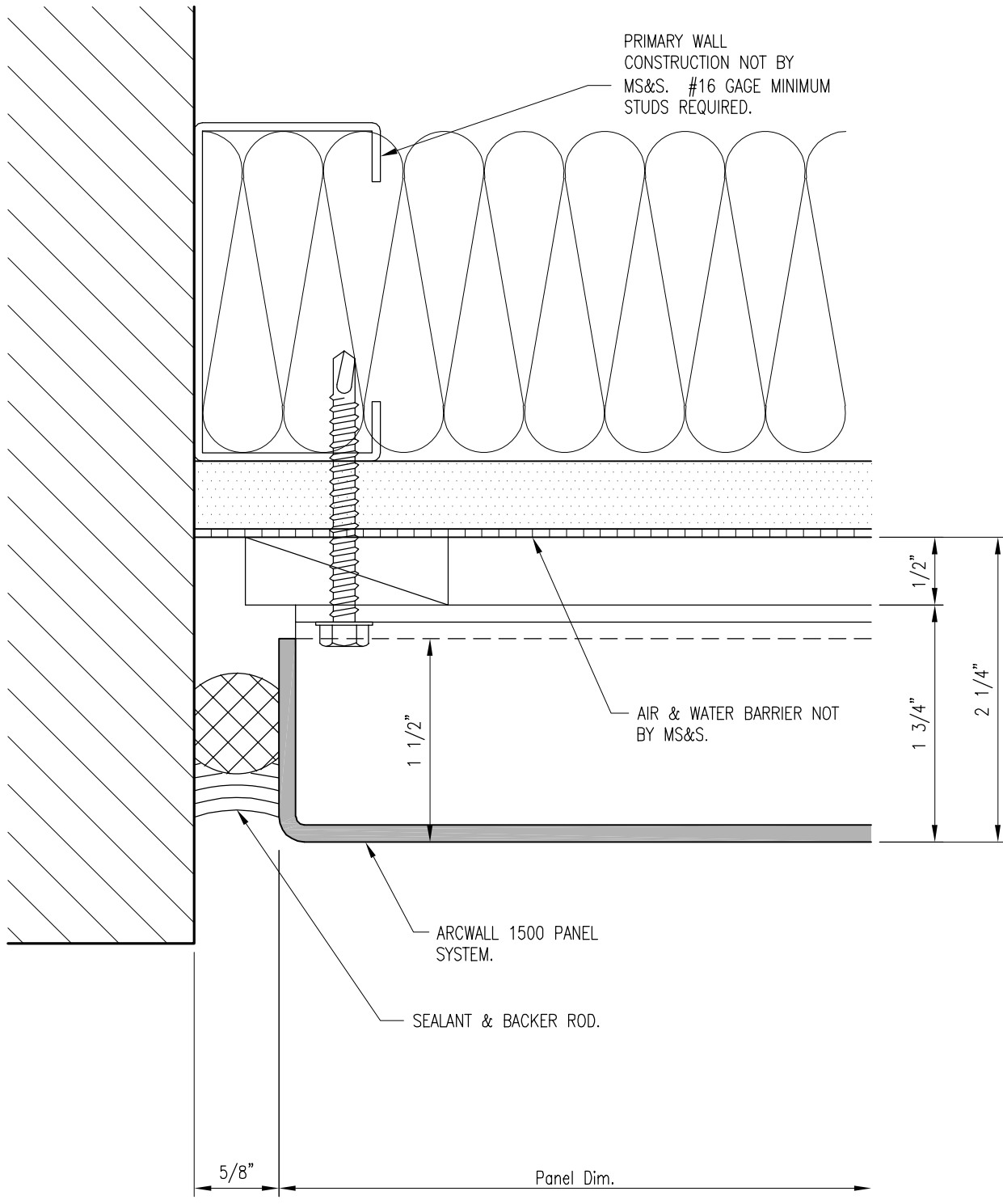
2) Vertical Joint



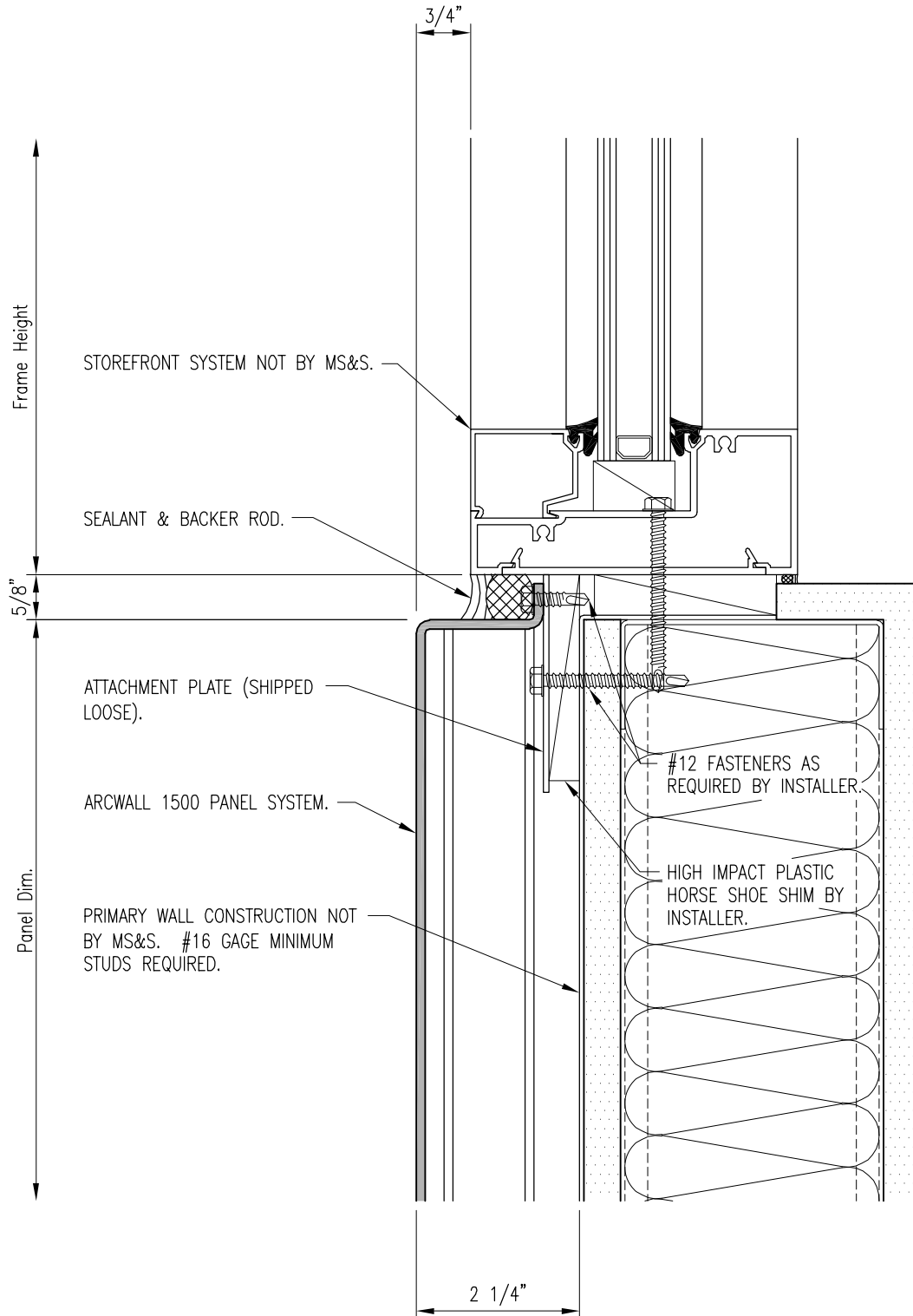
3) Panel Stiffener



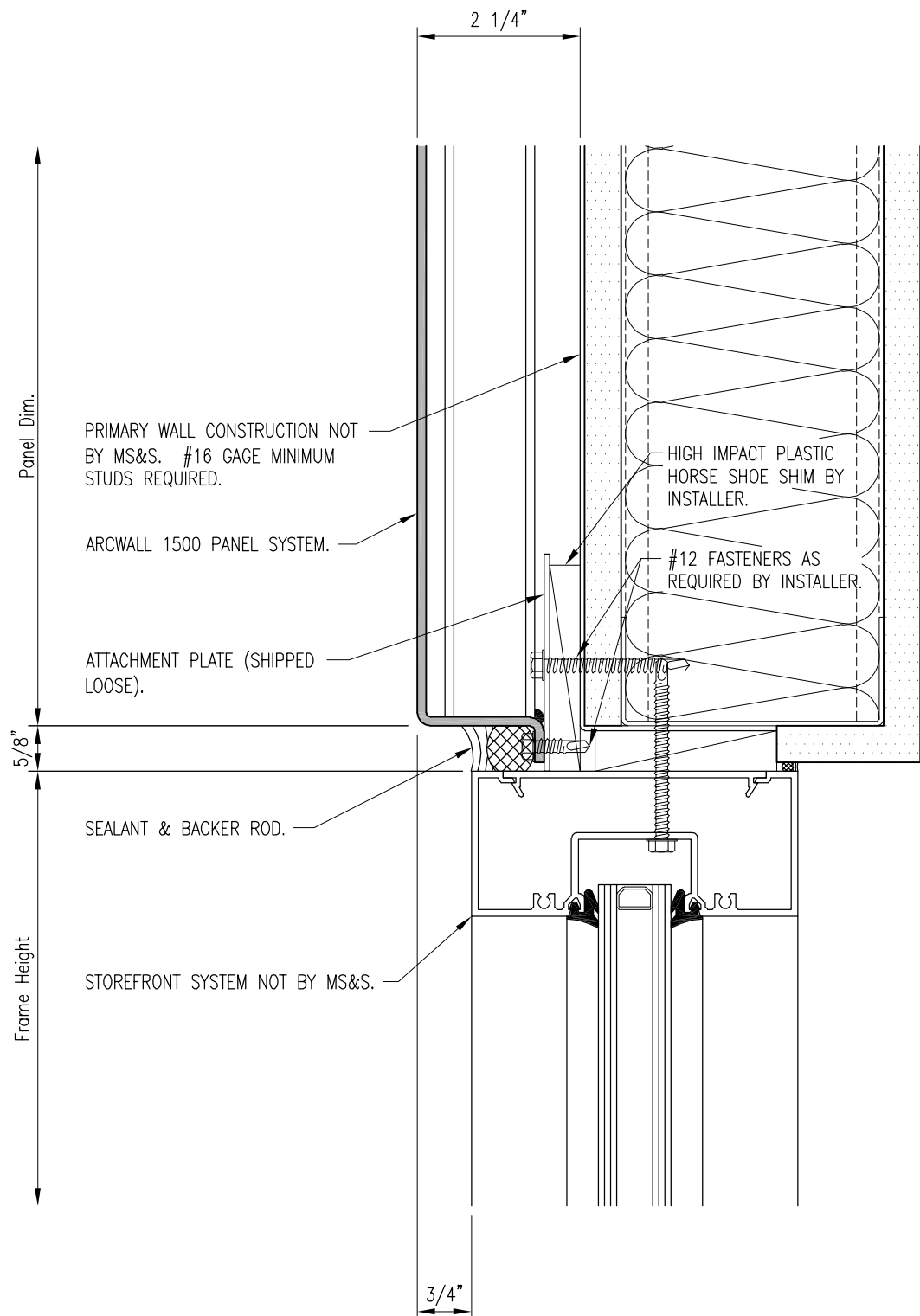
4) Panel Sill



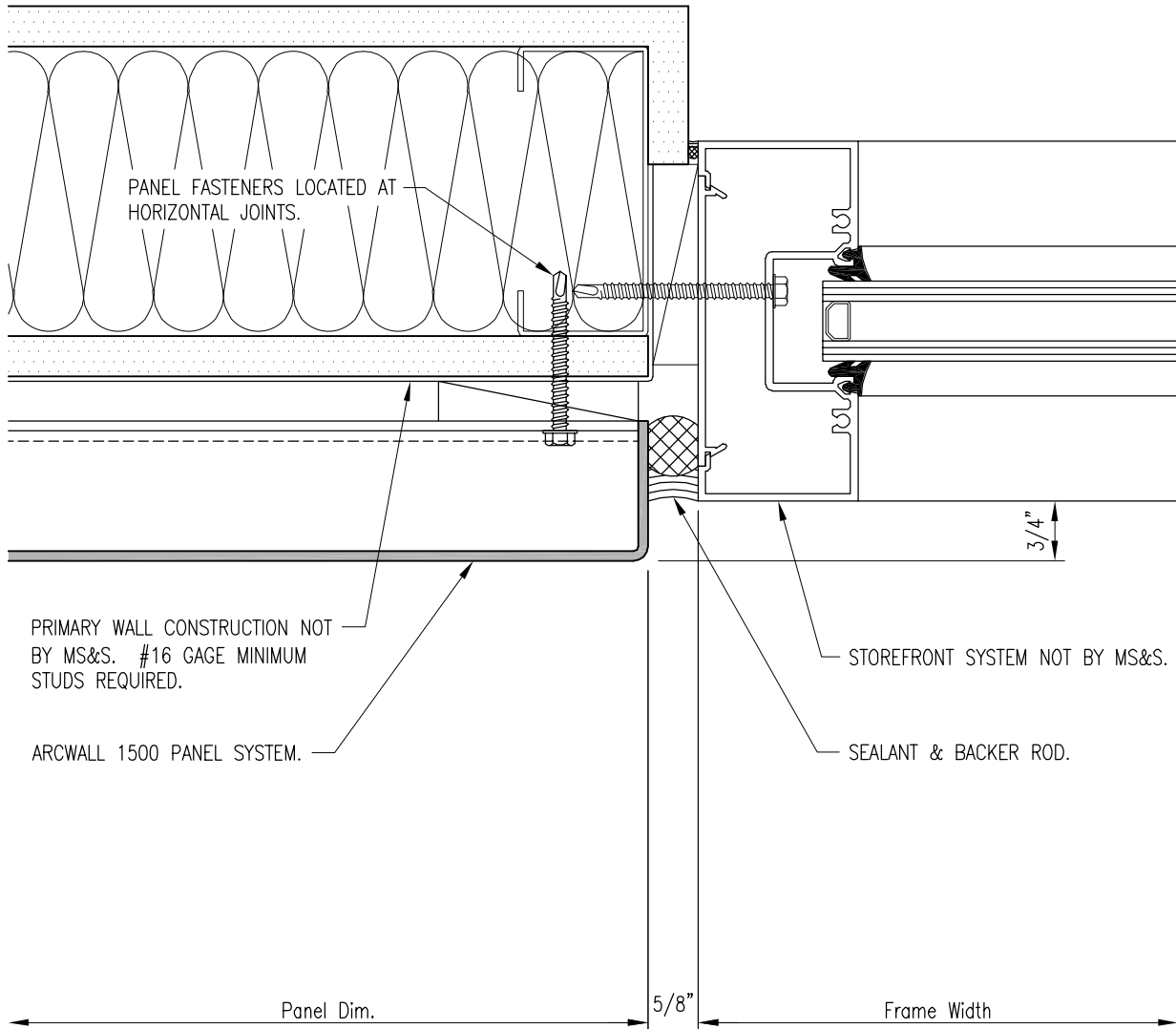
5) Panel Jamb at Wall



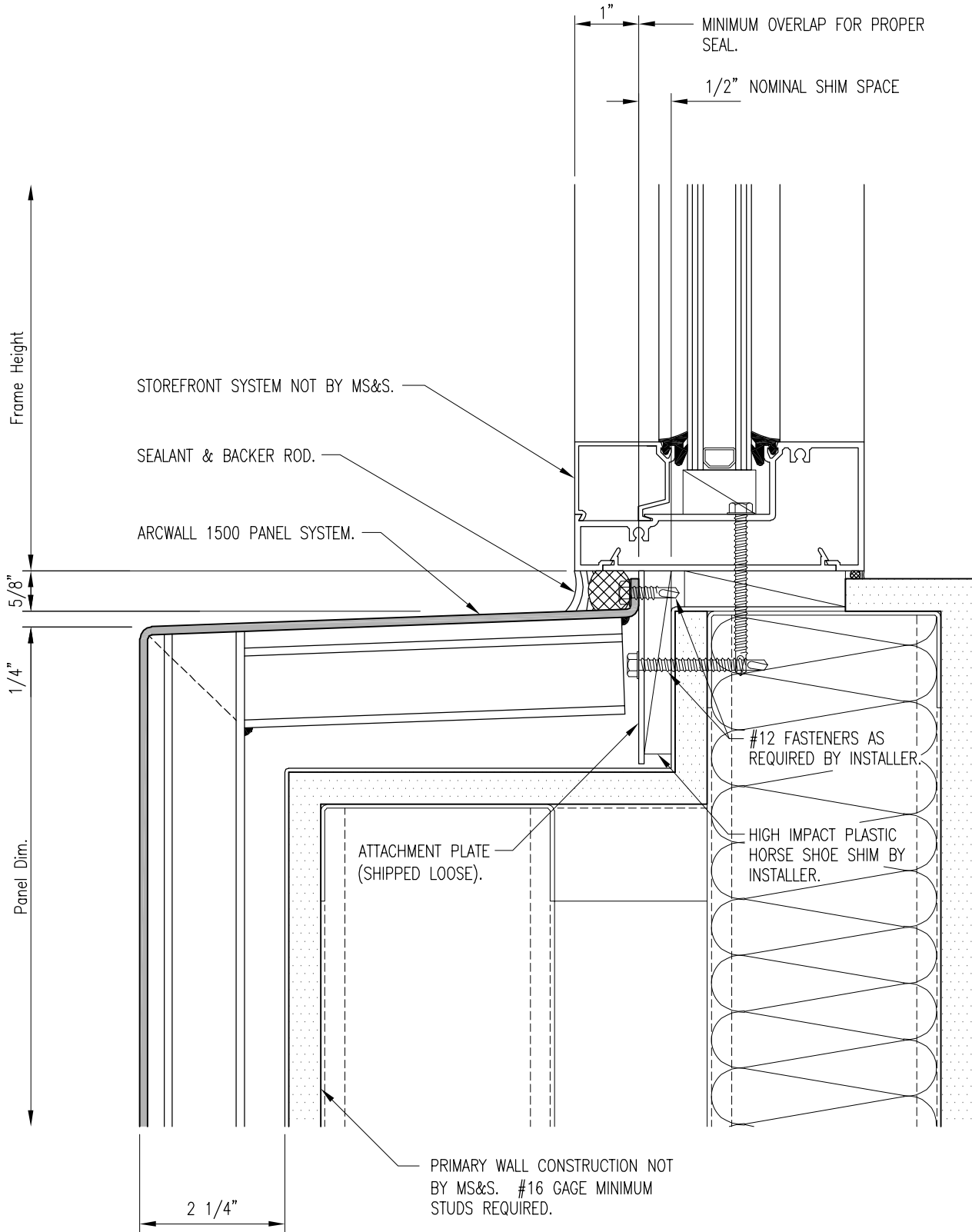
6) Storefront Sill



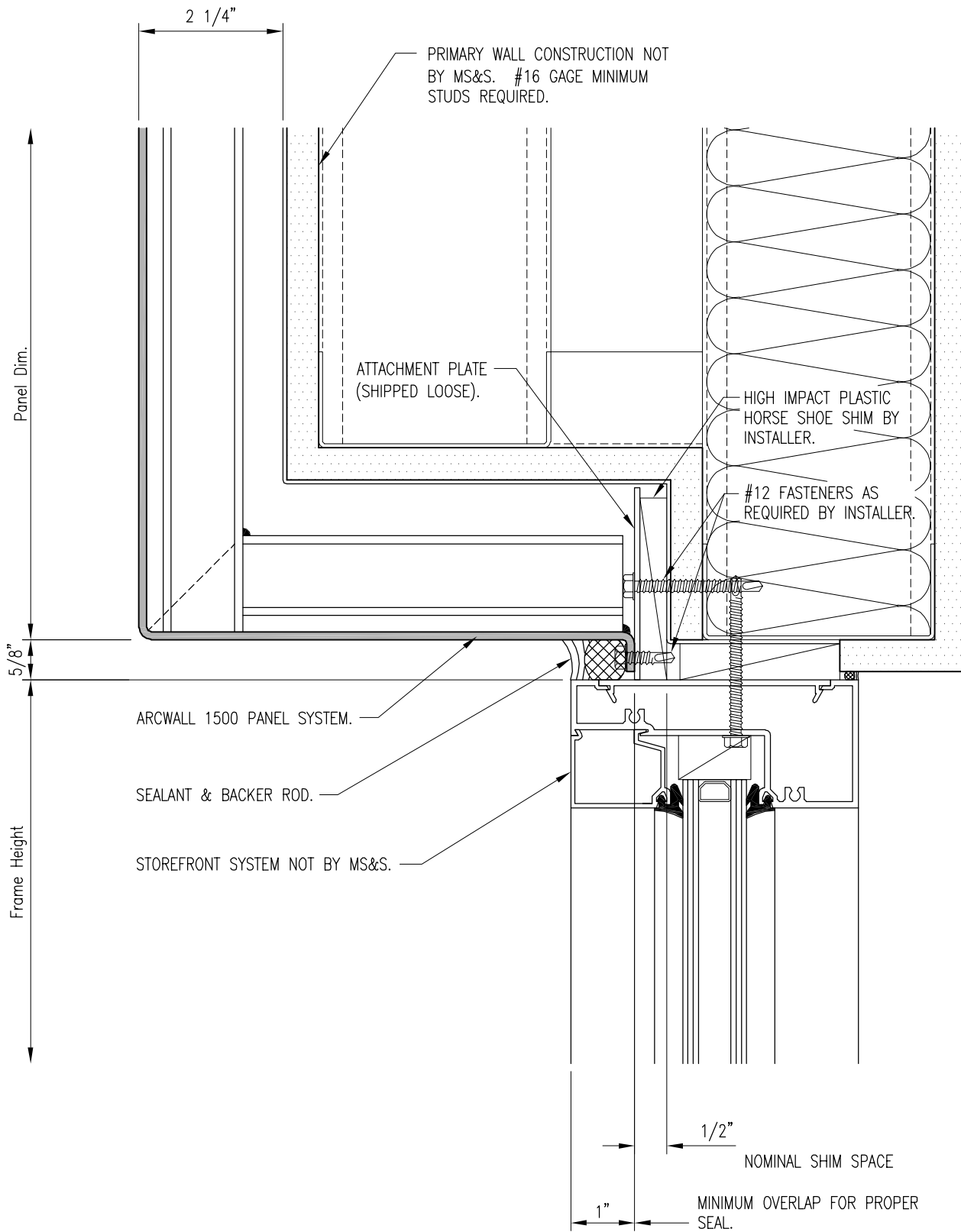
7) Storefront Head



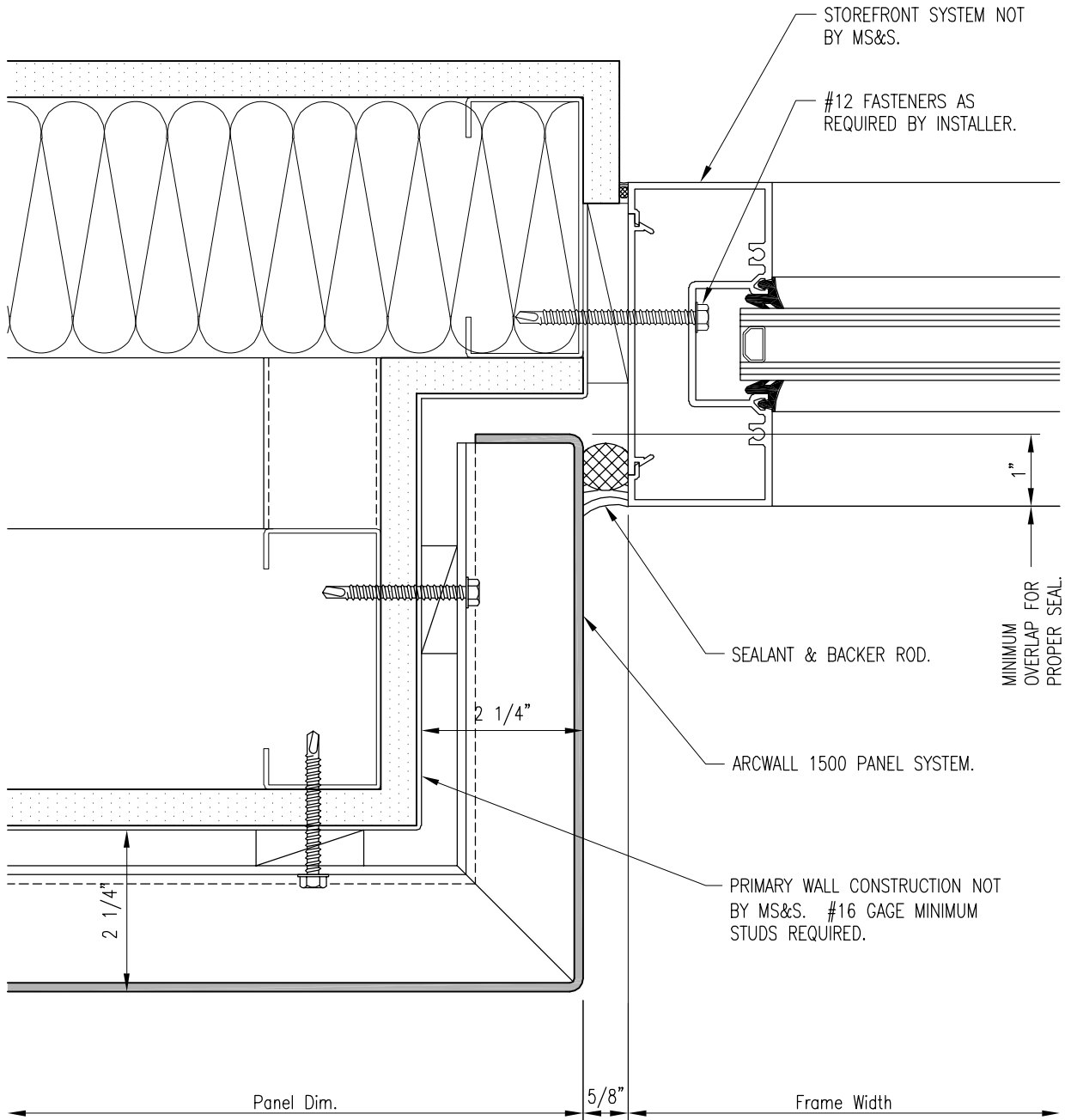
8) Storefront Jamb



9) Recessed Storefront Sill

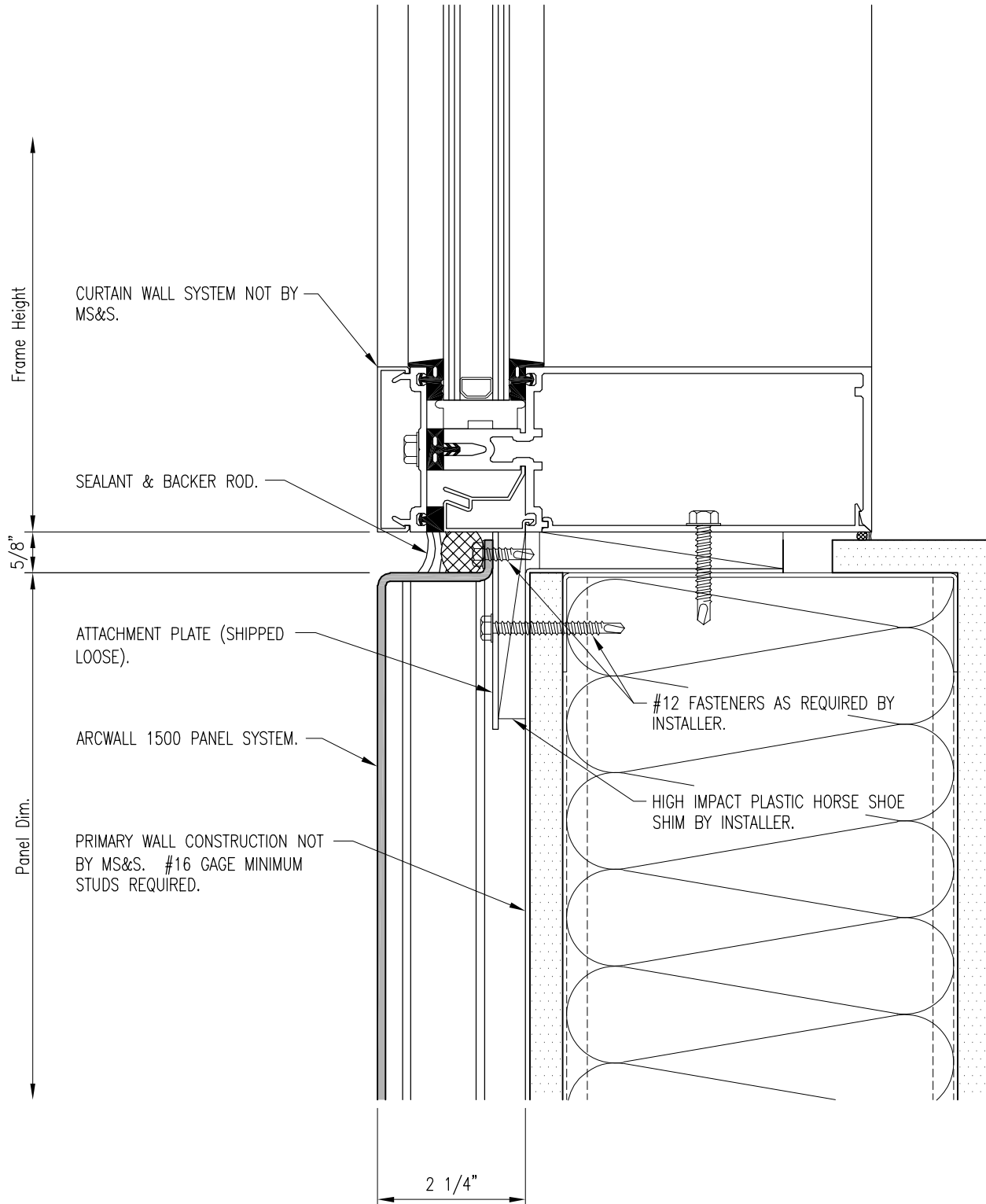


10) Recessed Storefront Head

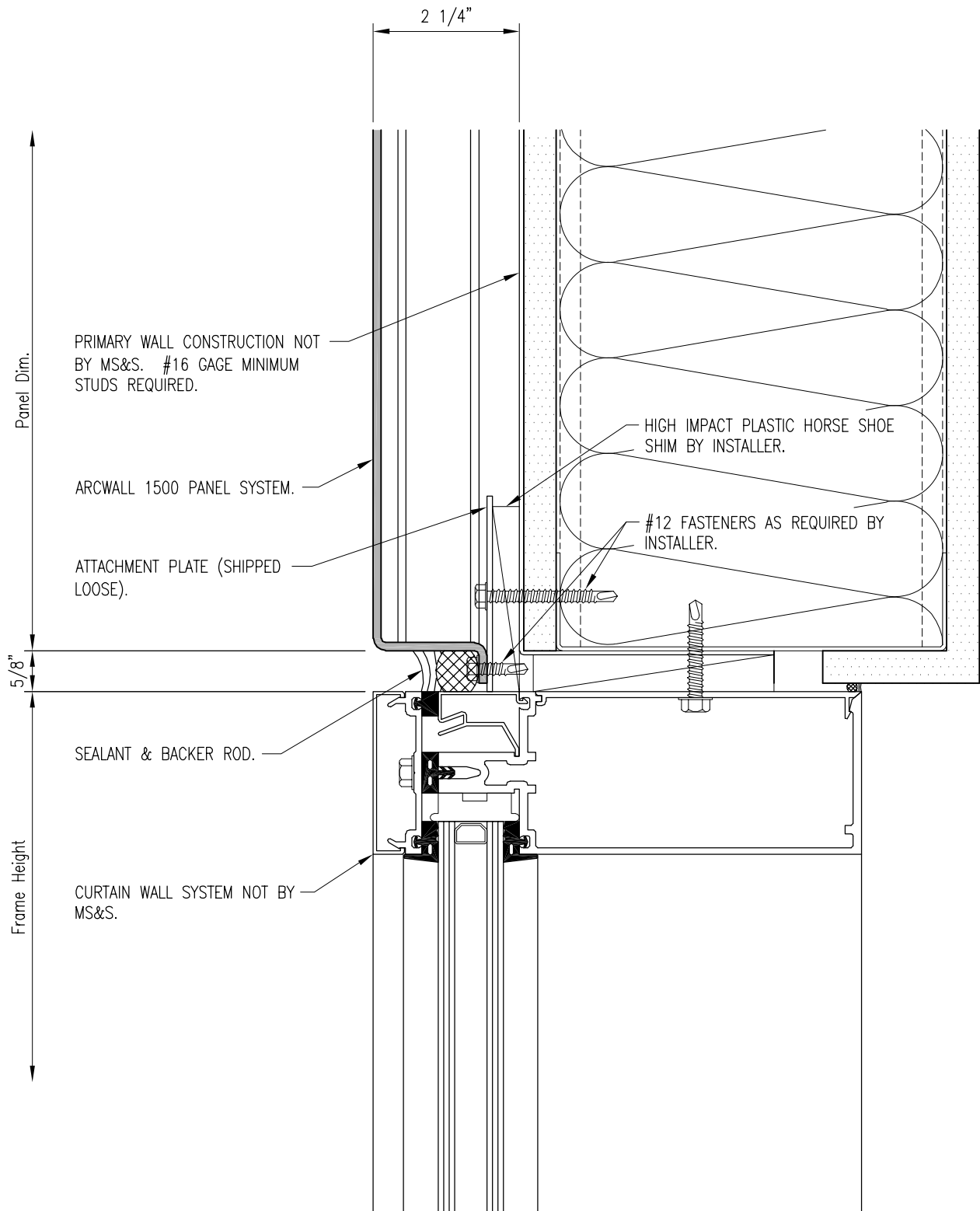


11) Recessed Storefront Jamb

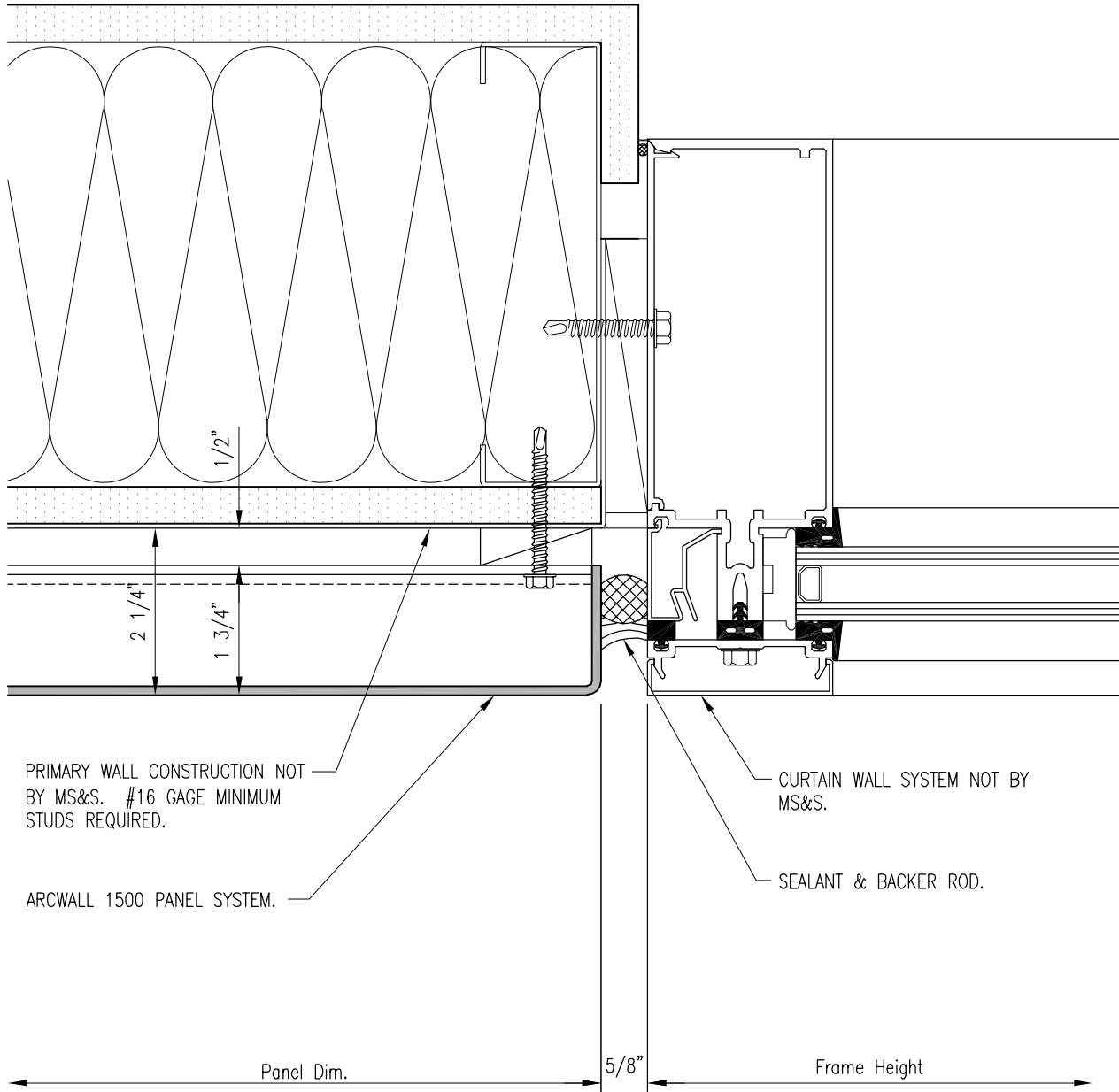




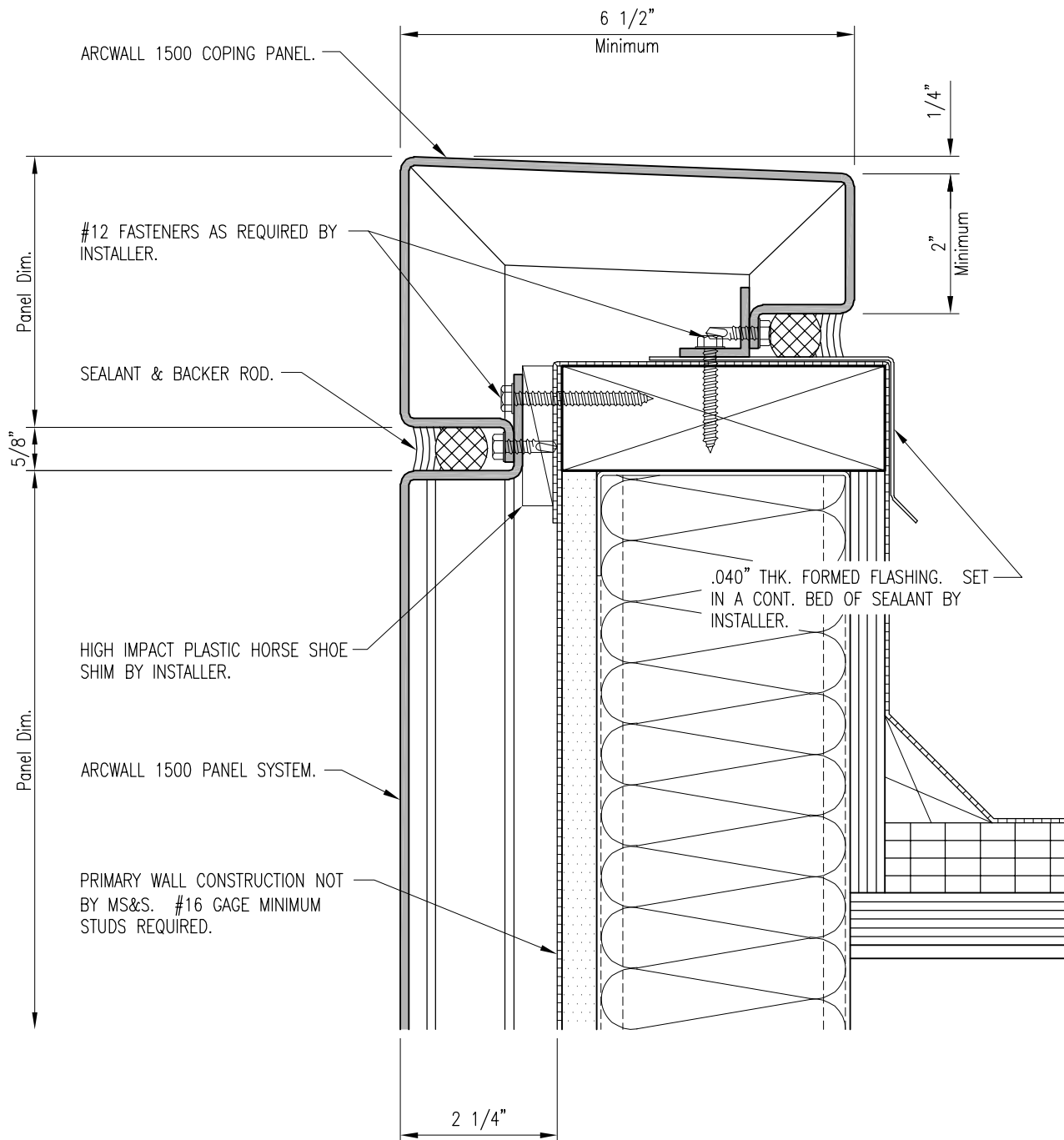
12) Curtain Wall Sill



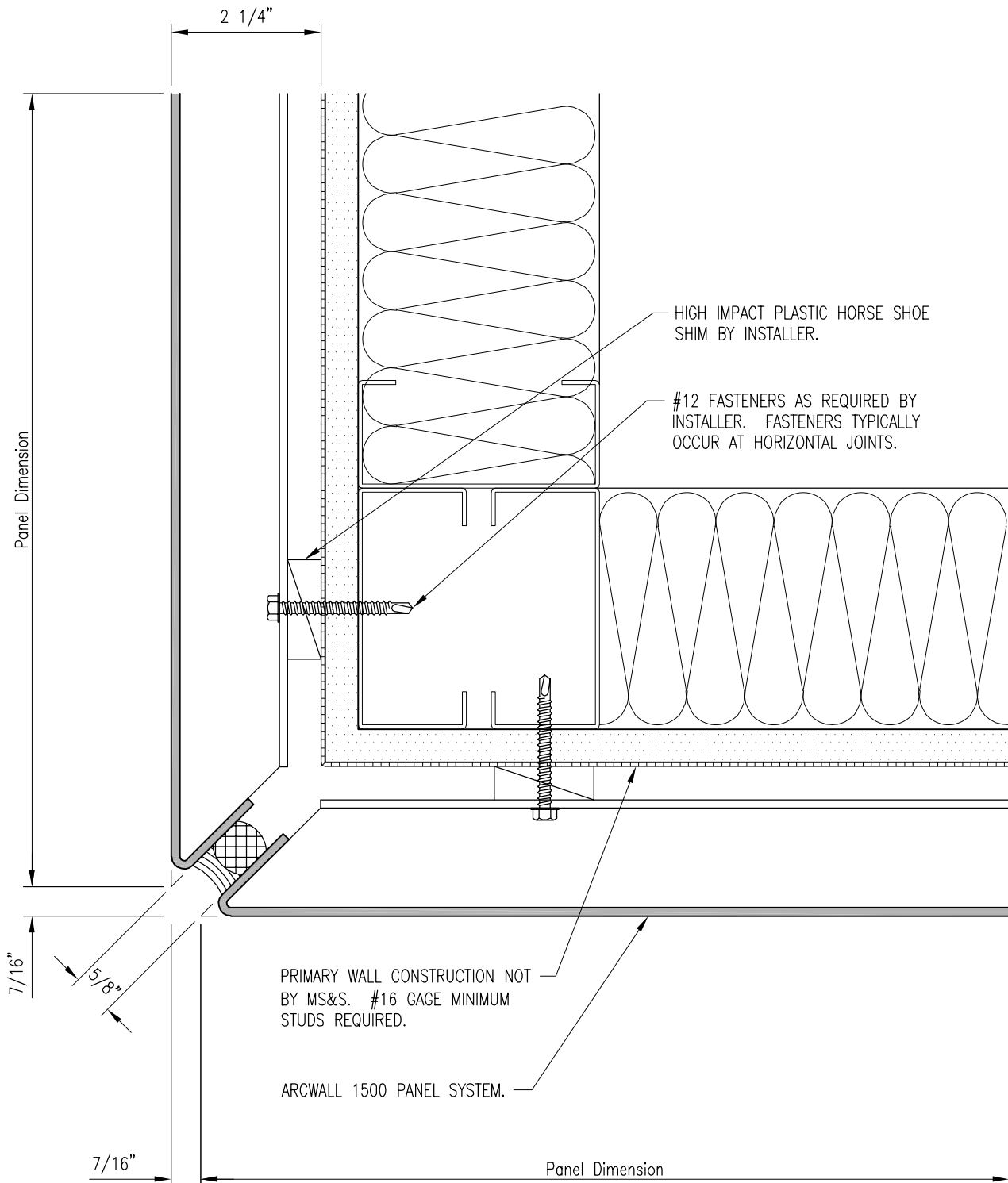
13) Curtain Wall Head



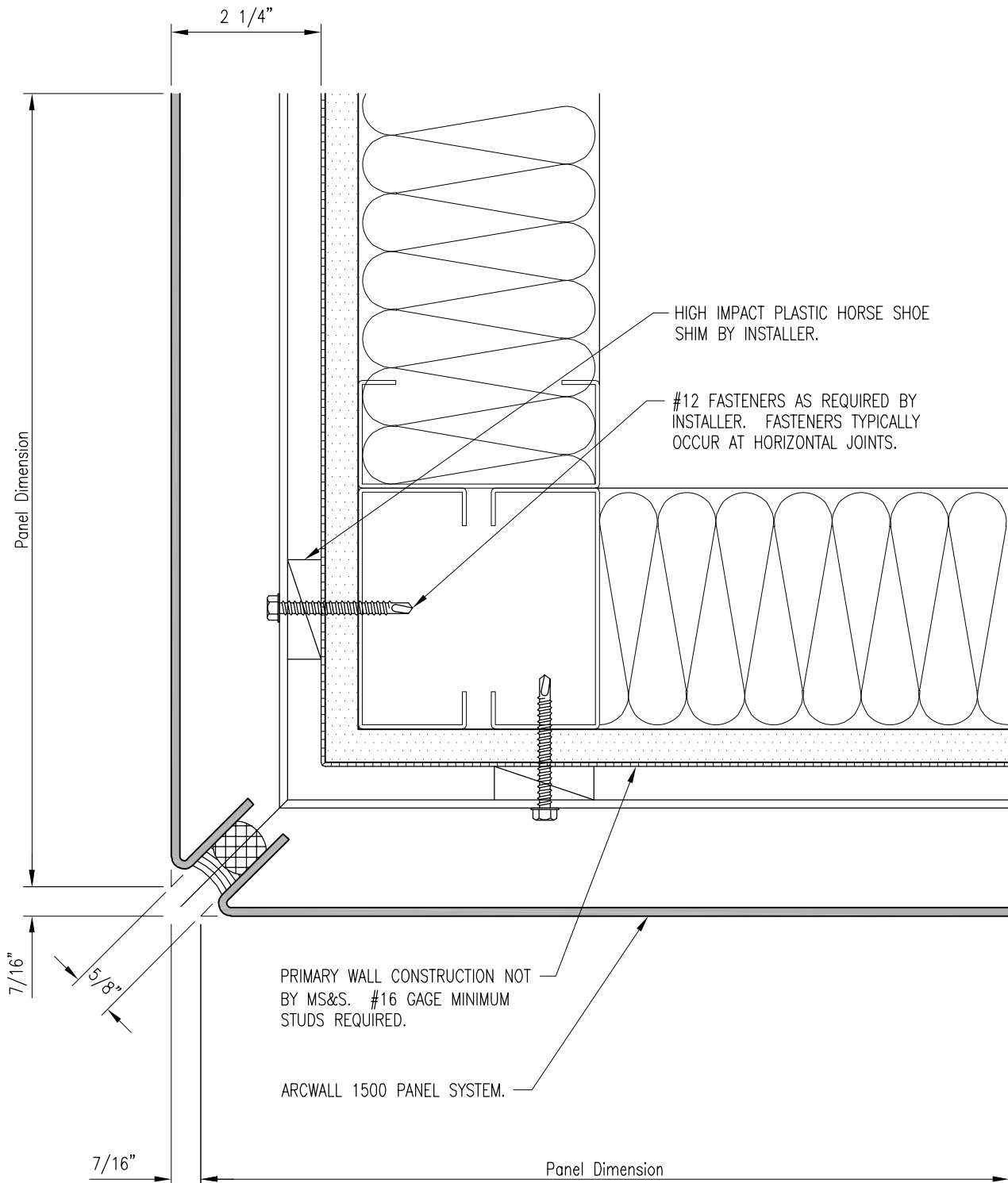
14) Curtain Wall Jamb



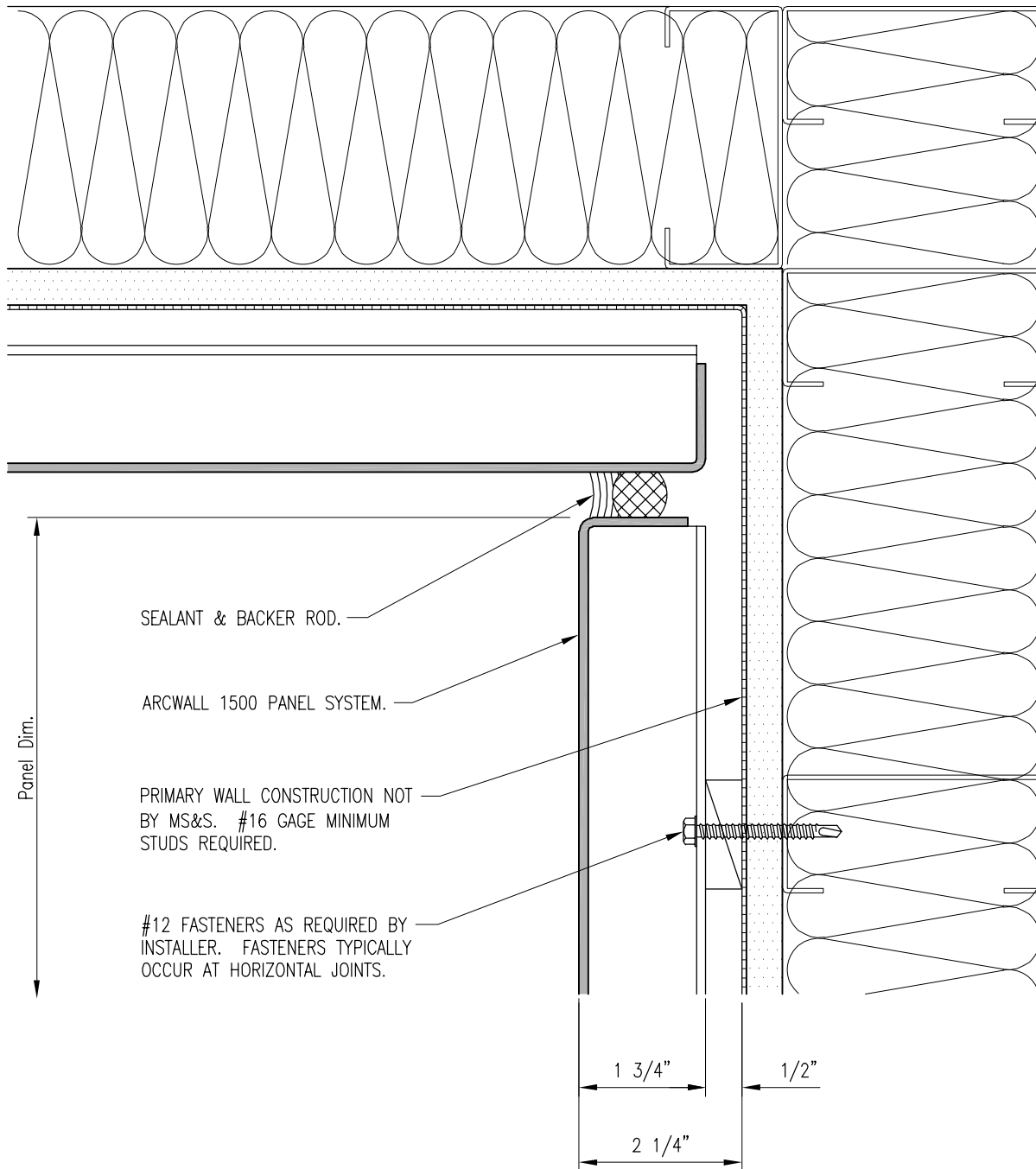
15) Coping



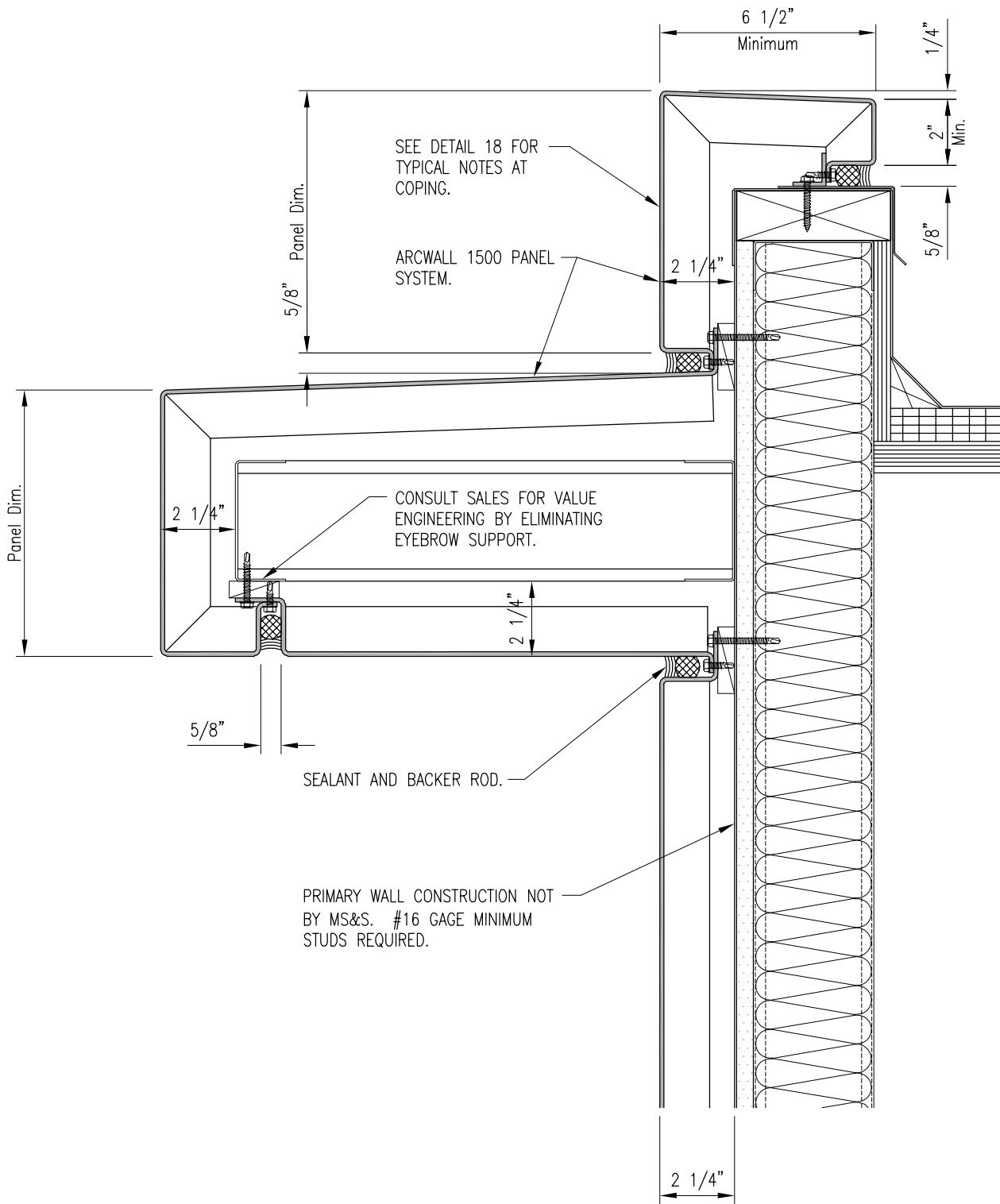
17) 90° Exterior Corner



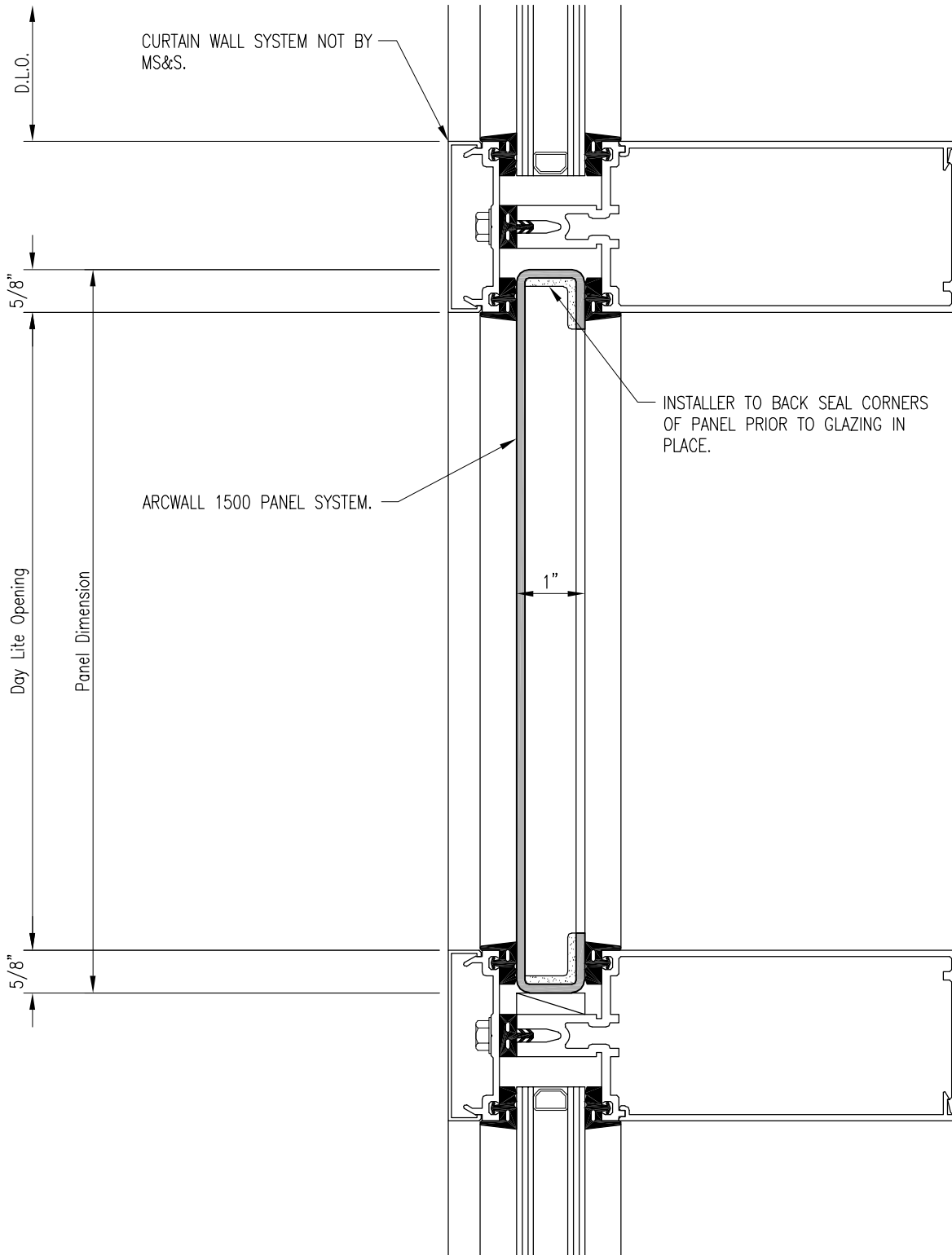
17) 90° Exterior Corner



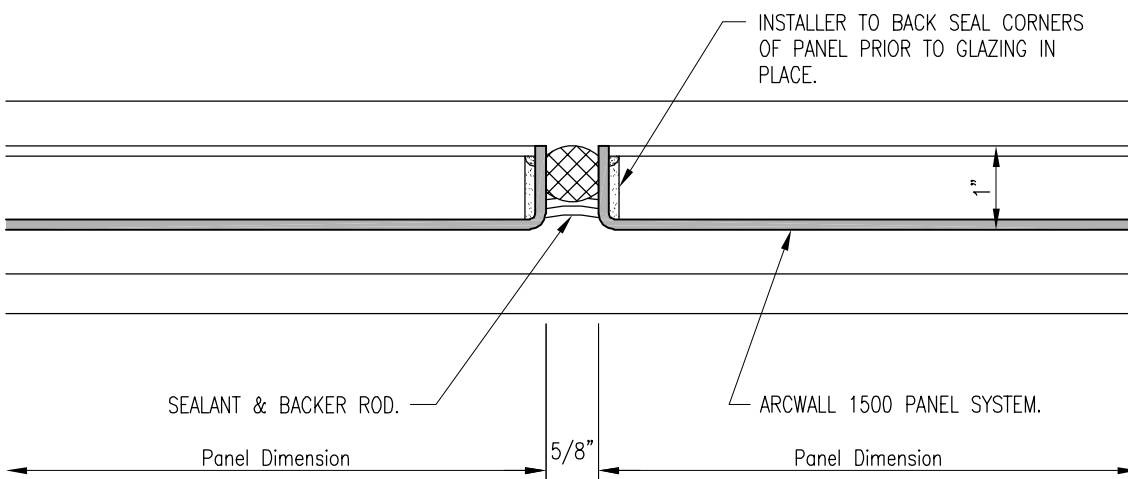
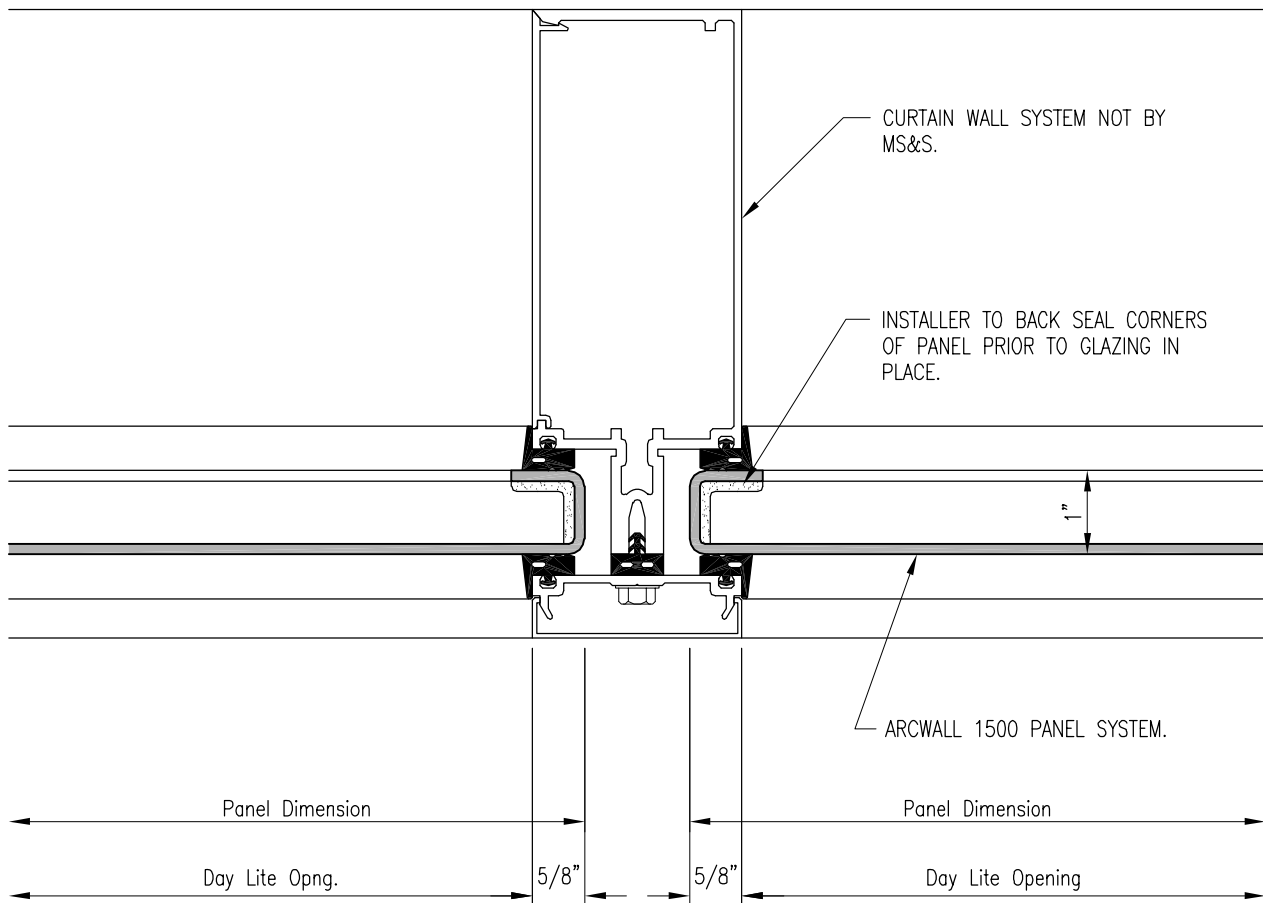
18) 90° Interior Corner



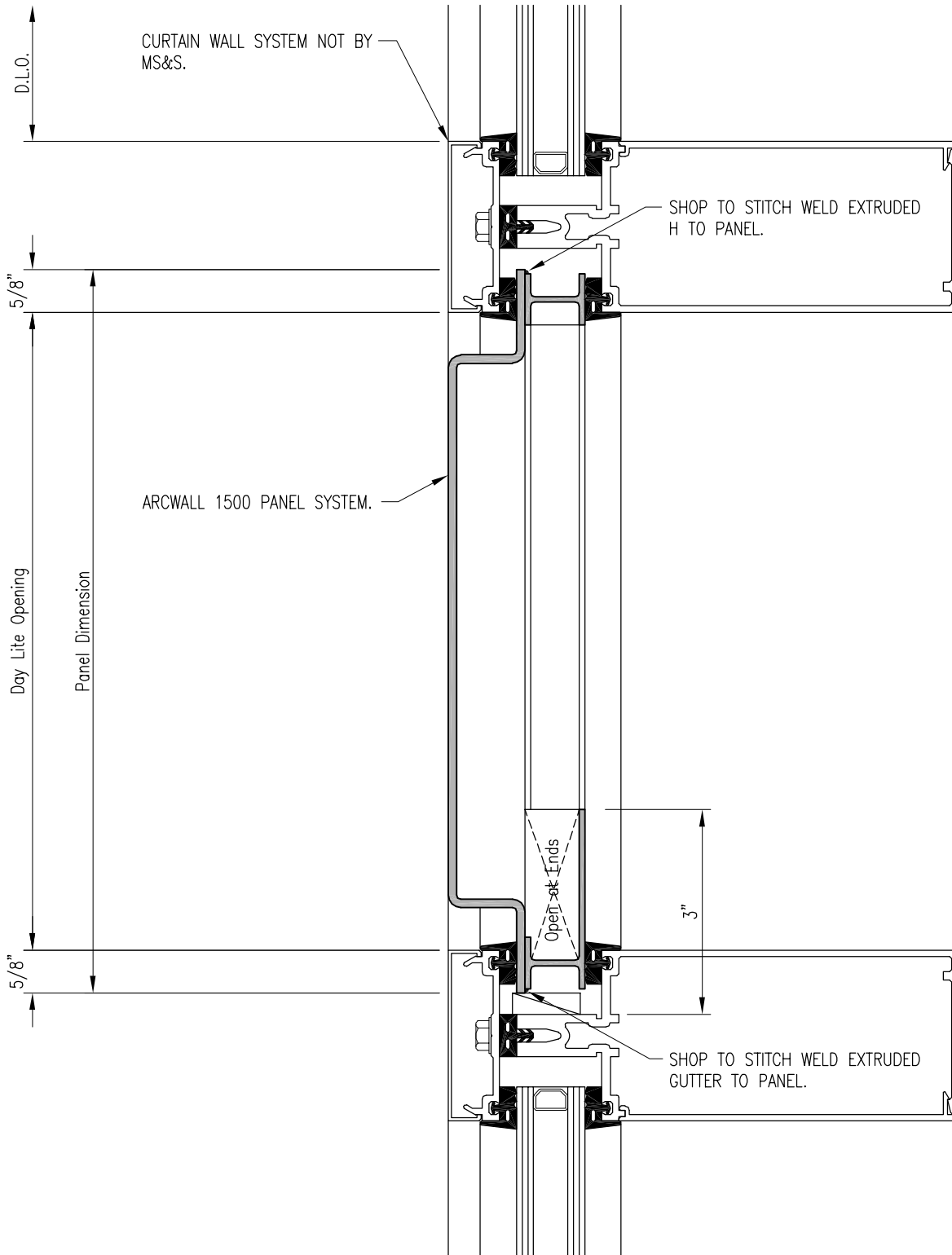
19) Eyebrow Panel



20) Glazed In Panel Head & Sill (Standard)

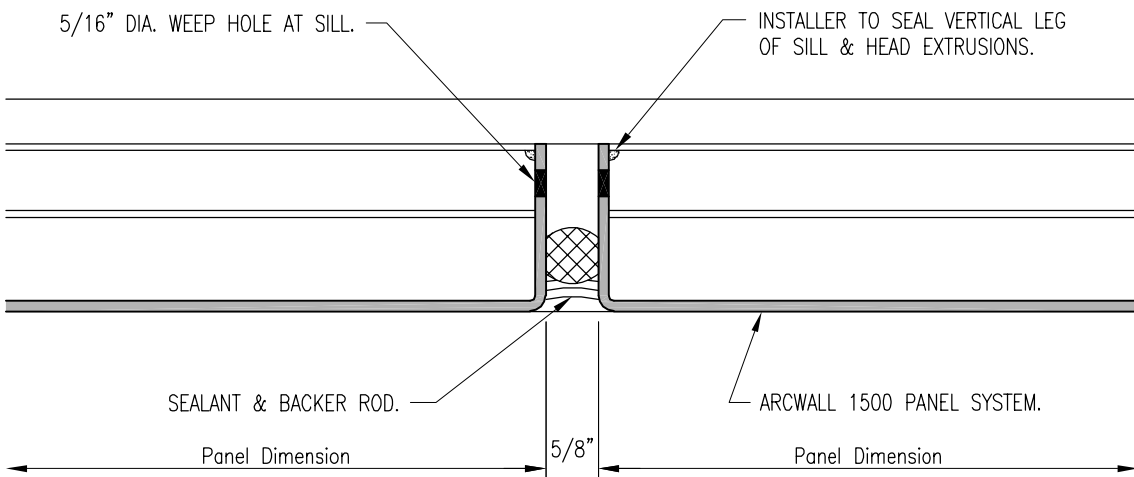
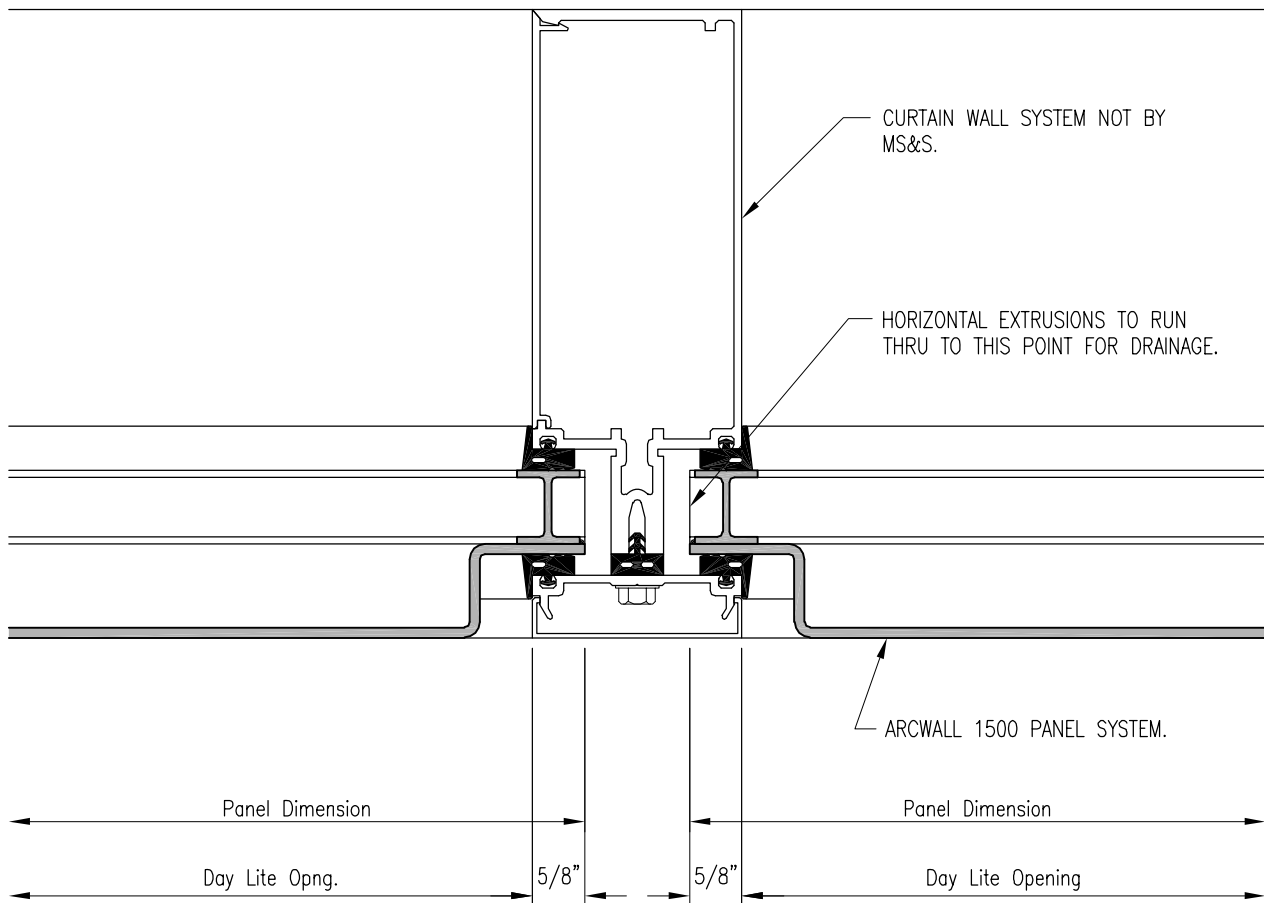


21) Glazed In Panel Jamb (Standard)



22) Glazed In Panel Head & Sill (Reveal)





23) Glazed In Panel Jamb (Reveal)