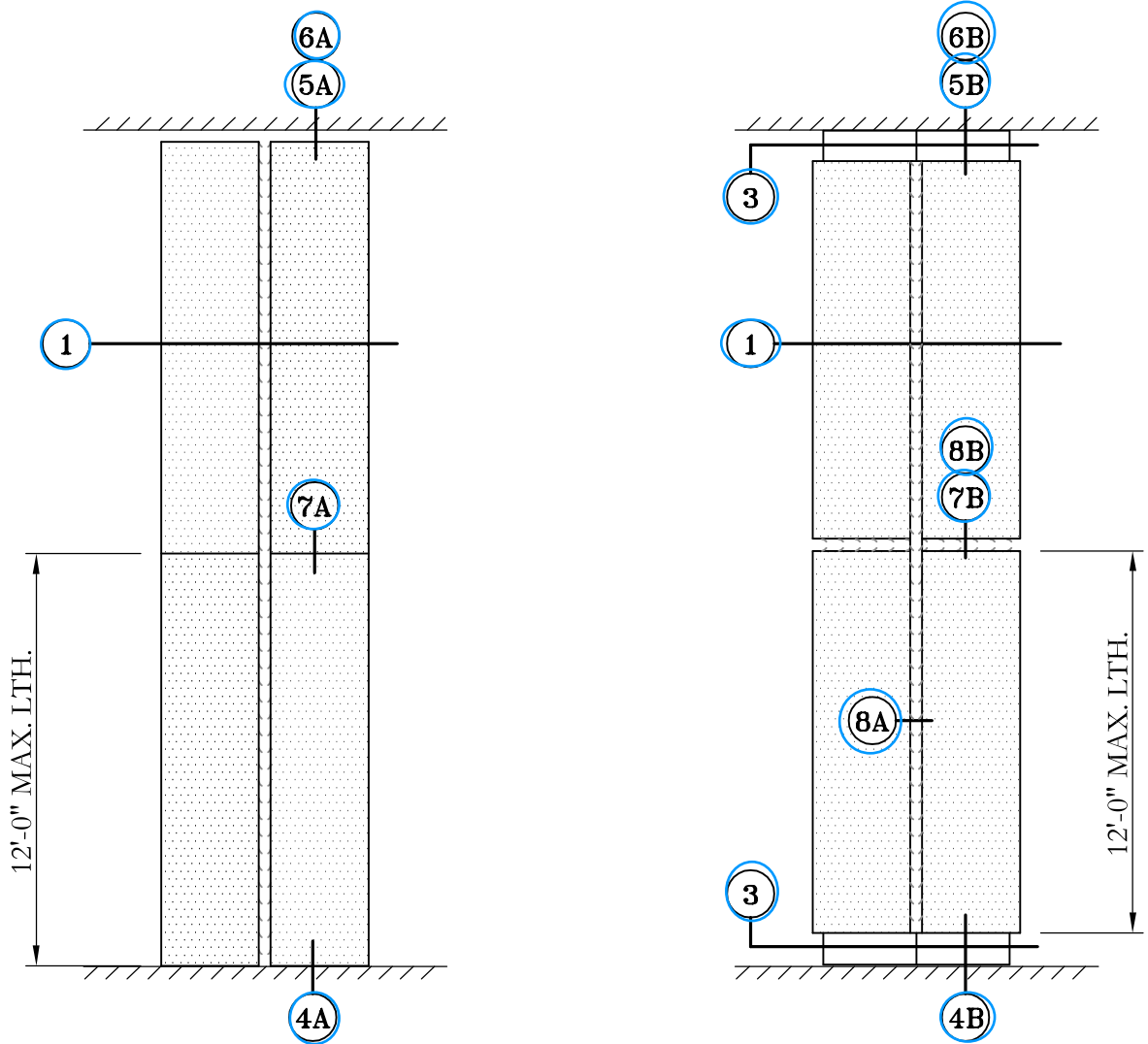
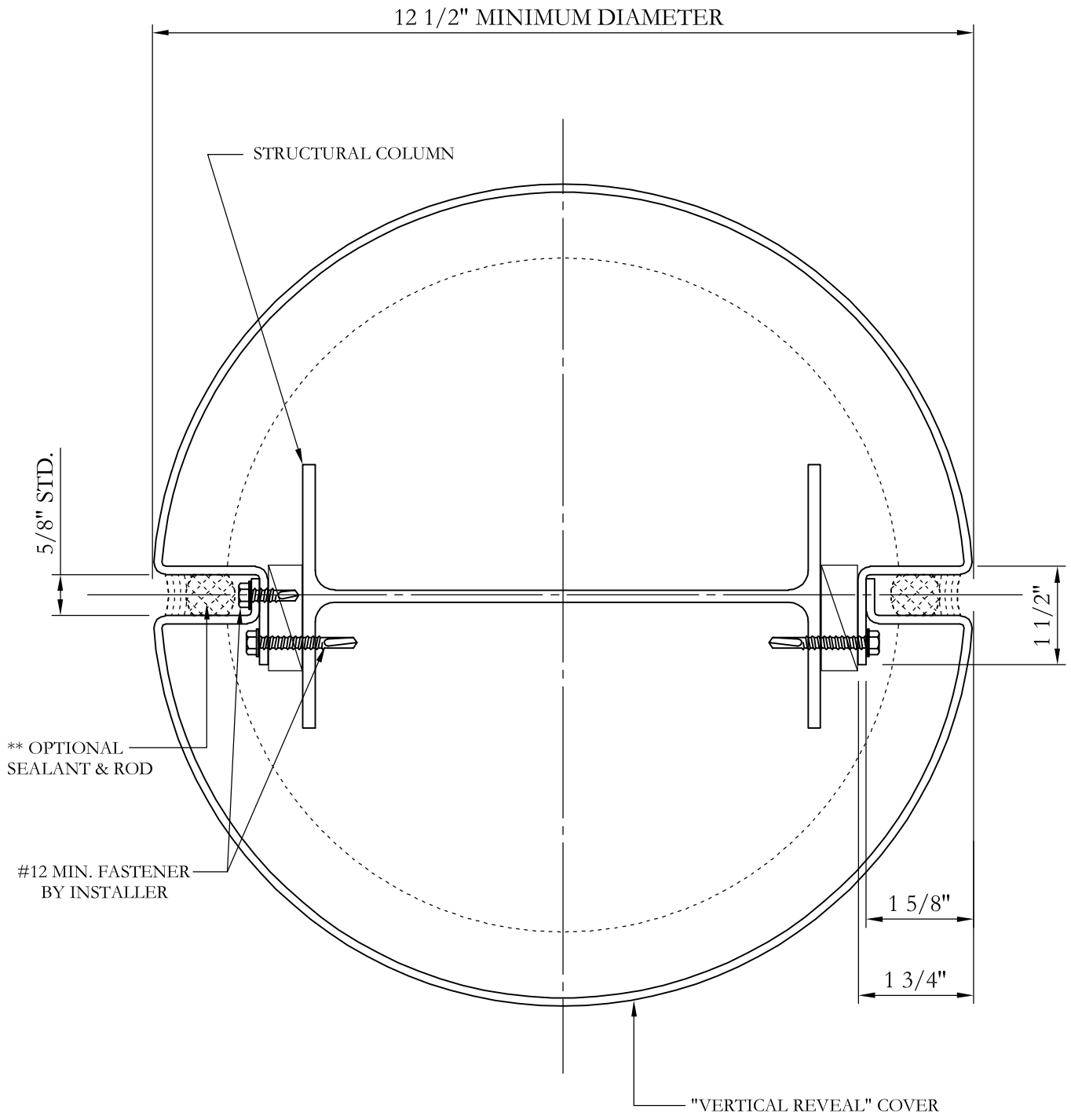


# "VERTICAL REVEAL" COLUMN COVERS (STANDARD DETAILS)

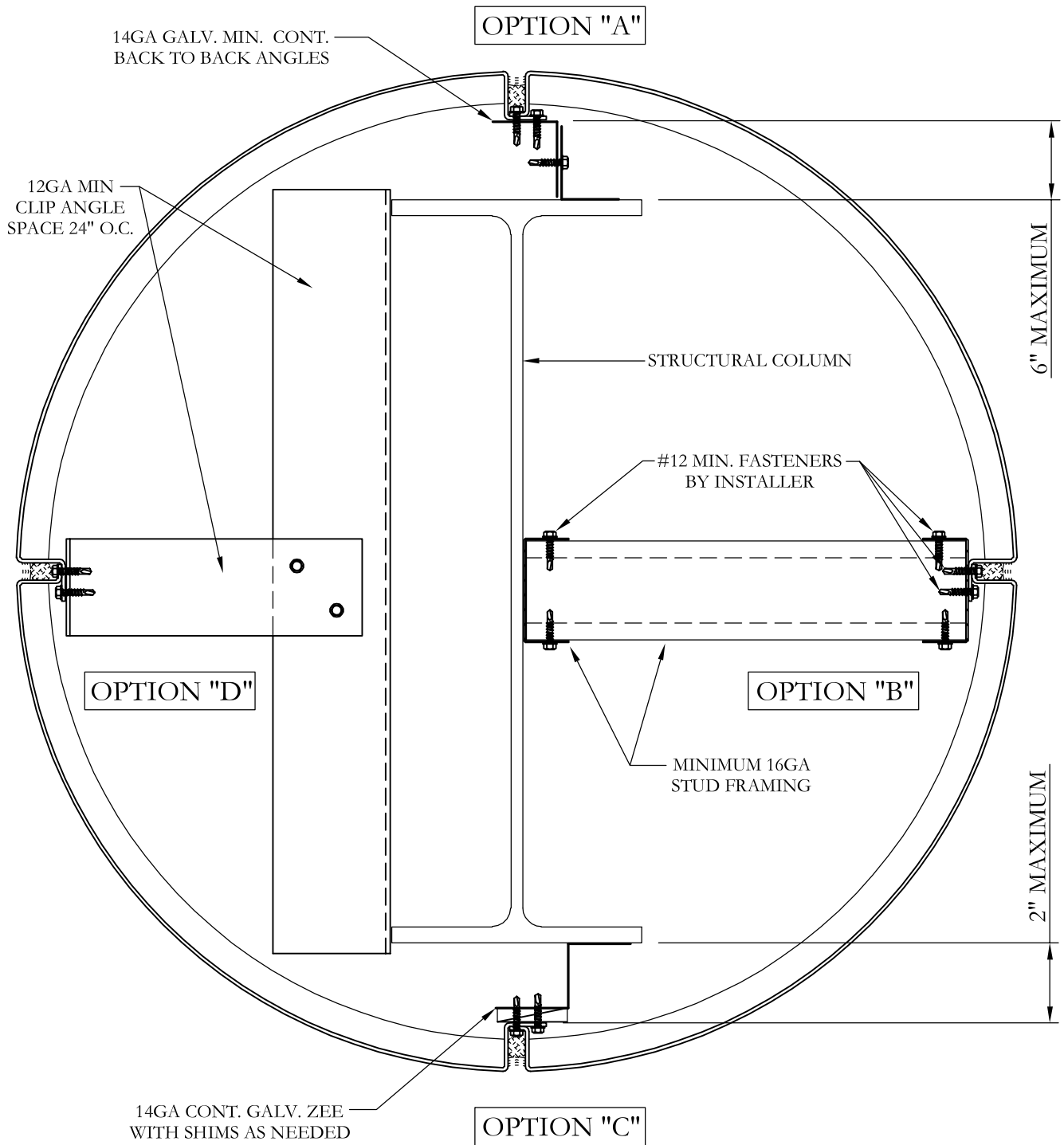


## MENU

- |                                 |                                |
|---------------------------------|--------------------------------|
| 1) Typical Vertical Joint.      | 5) Fixed Ceiling Options.      |
| 2) Framing Options.             | 6) Adjustable Ceiling Options. |
| 3) Plan at Base/Ceiling Reveal. | 7) Stacking Options.           |
| 4) Base Options.                | 8) Batten Options.             |

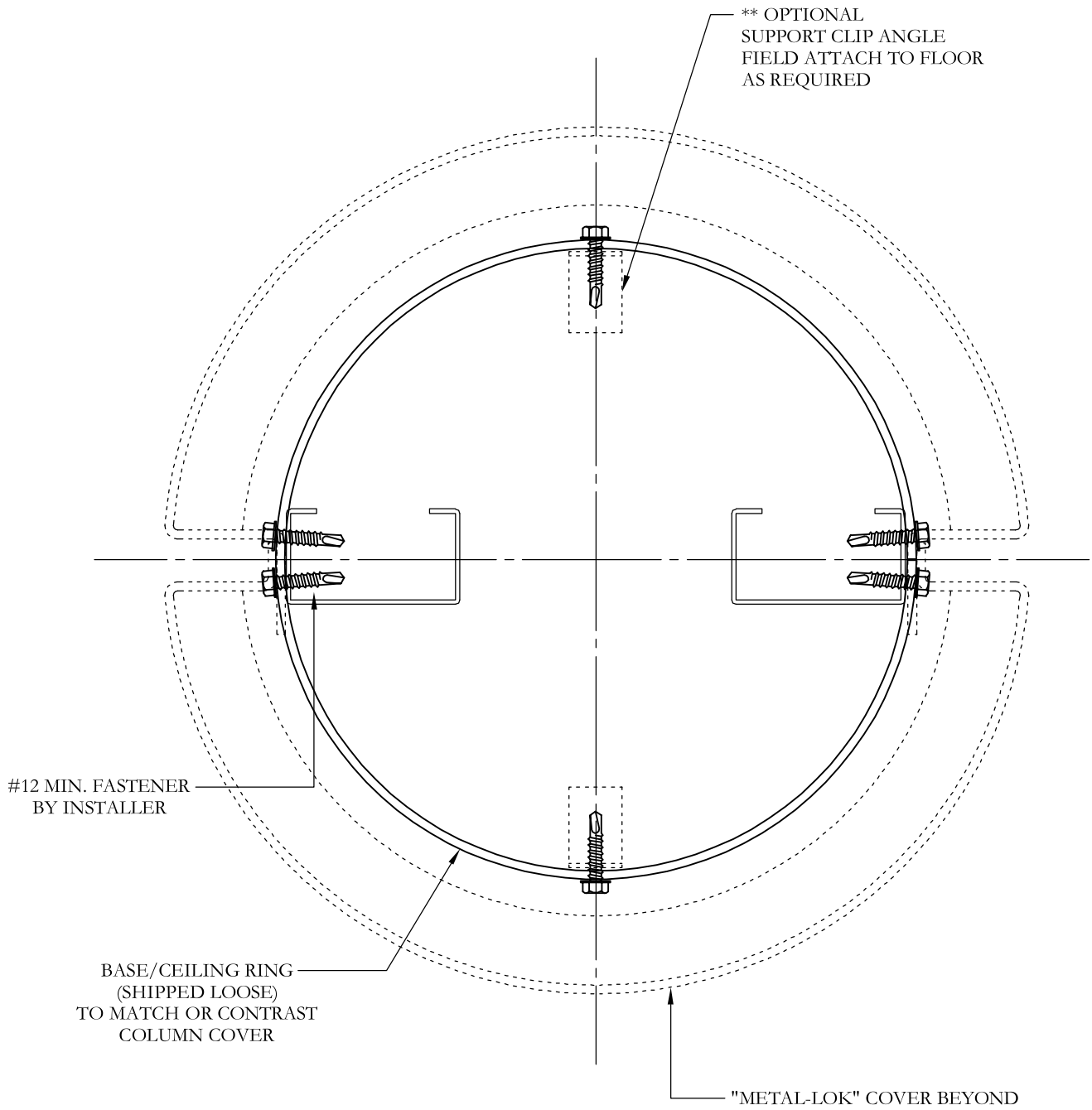


# 1) Typical Vertical Joint



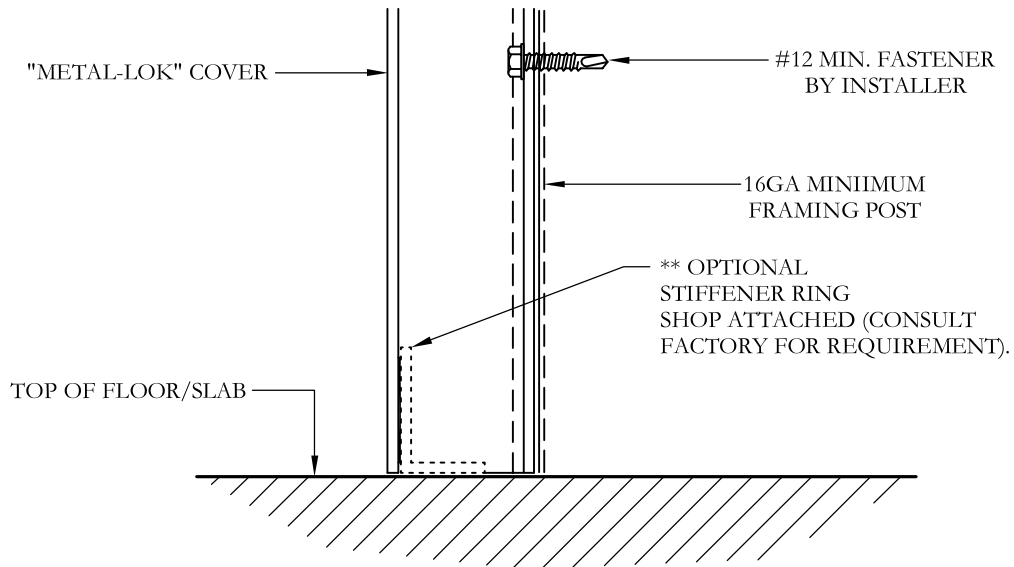
INSTALLATION NOTE:  
 FIELD ATTACH FRAMING WITH FASTENERS, SHOT & PIN, OR WELD.  
 TO BE DETERMINED BASED ON LOAD AND SPEC REQUIREMENTS

## 2) Framing Options

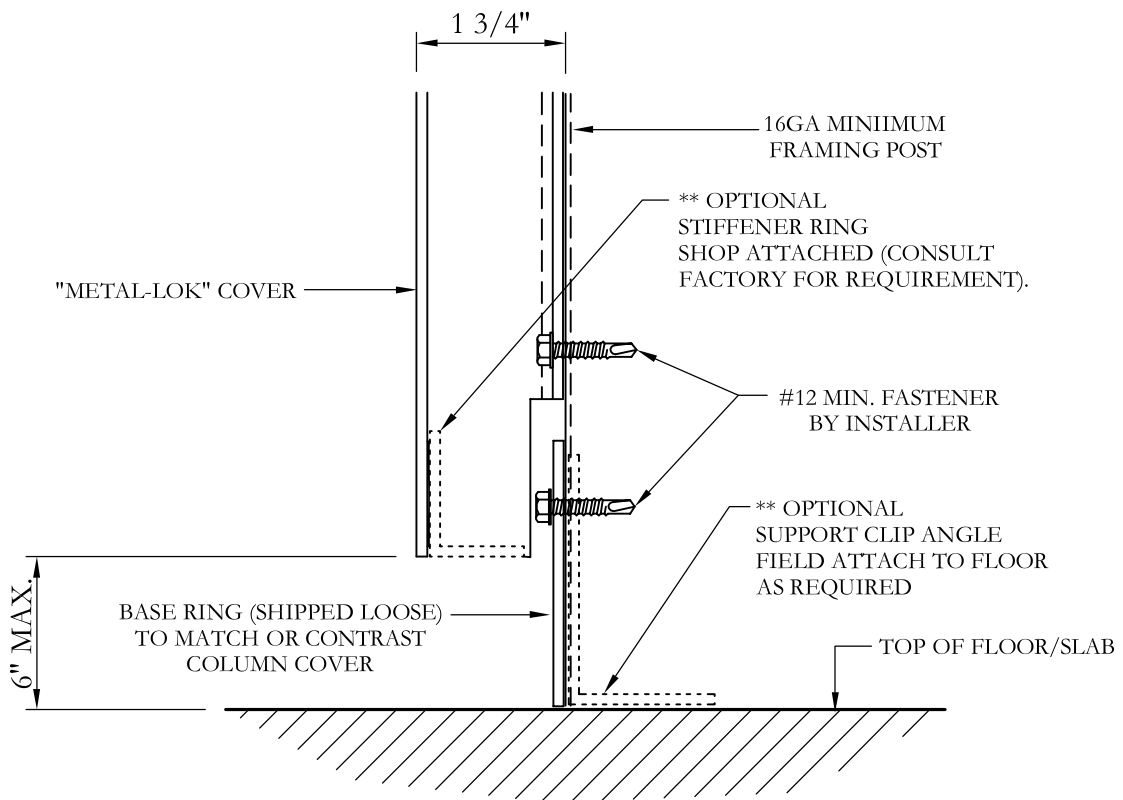


### 3) Plan at Base/Ceiling Reveal

---

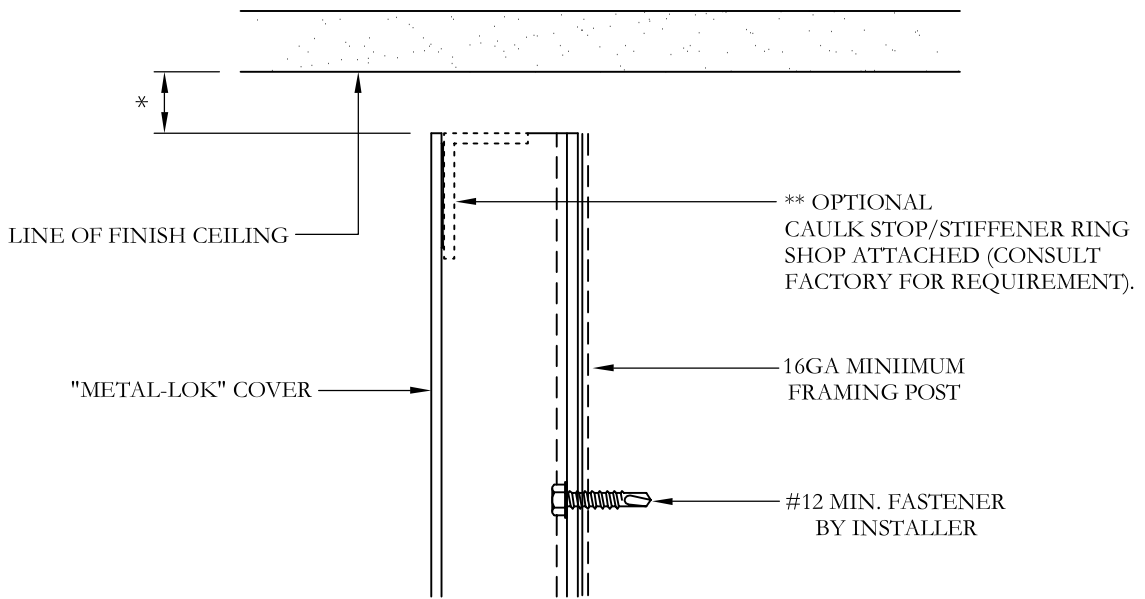


### A) STANDARD FLUSH

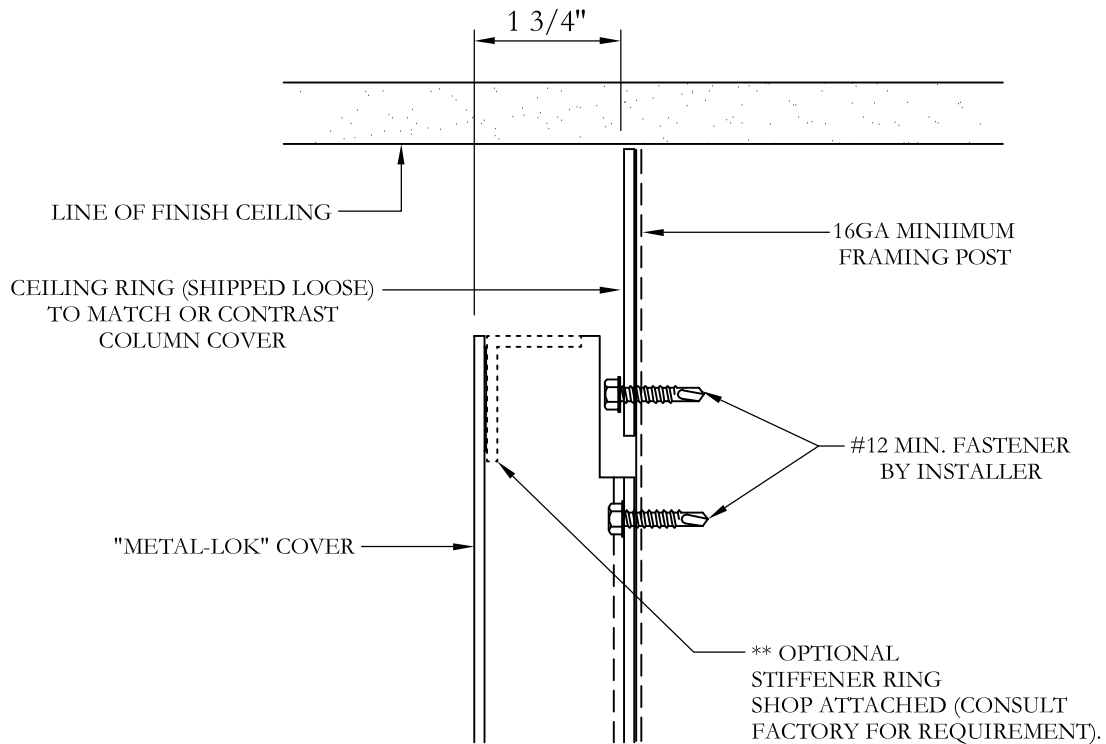


### B) STANDARD REVEAL

# 4) Base Options

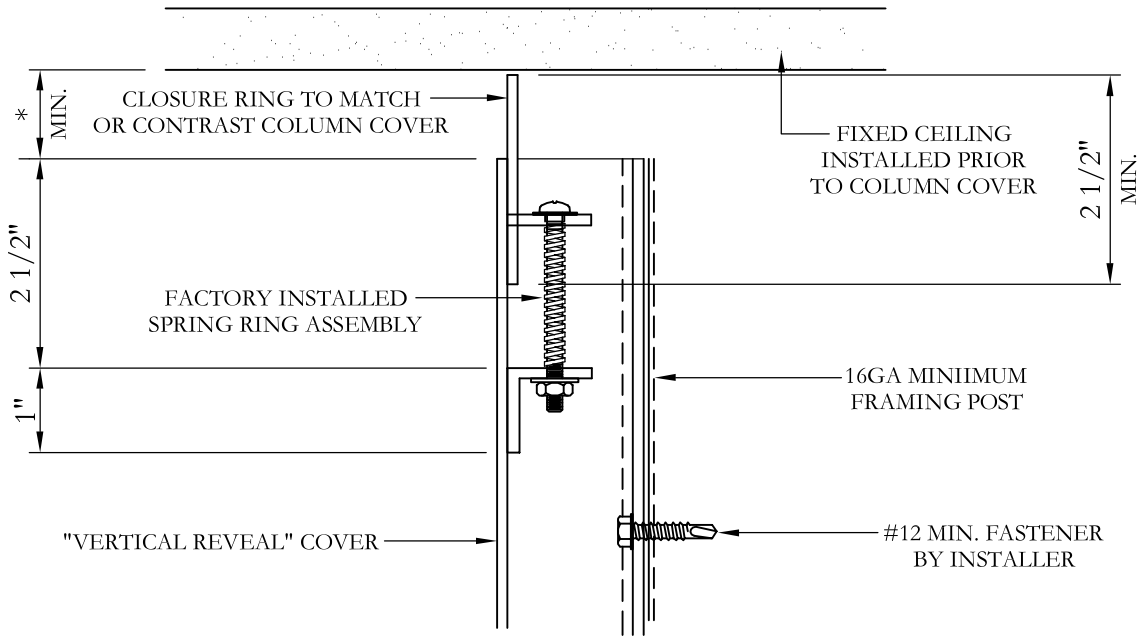


A) STANDARD

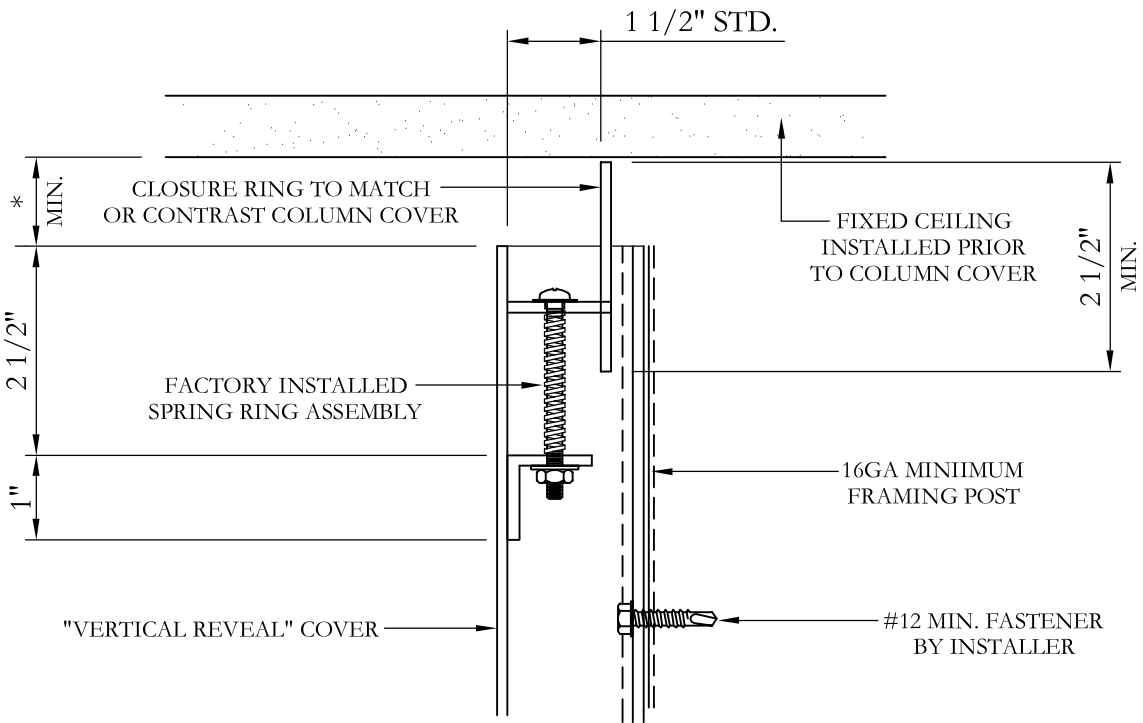


B) STANDARD REVEAL

5) Fixed Ceiling Options



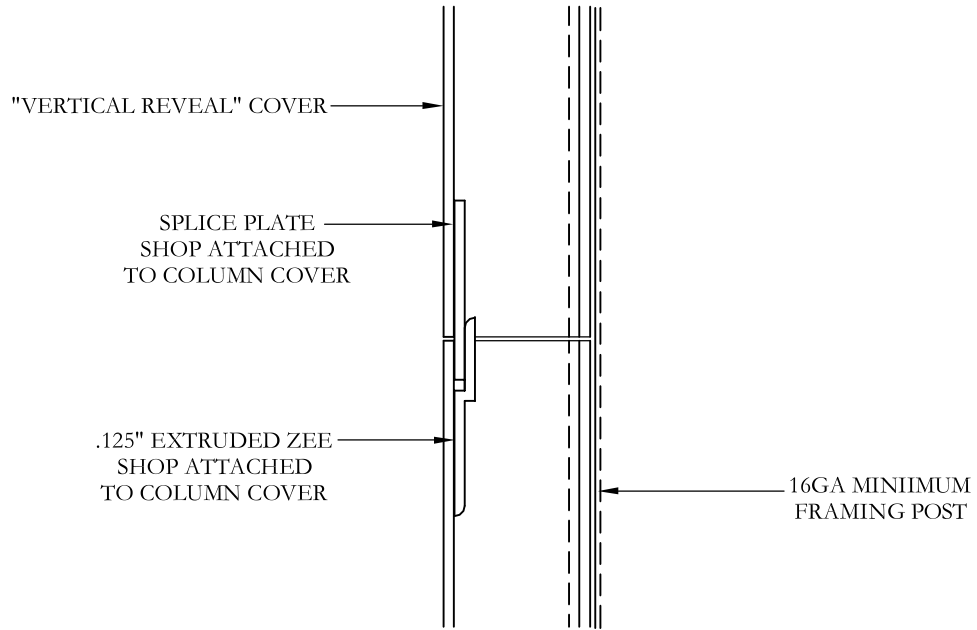
A) FLUSH SPRING RING



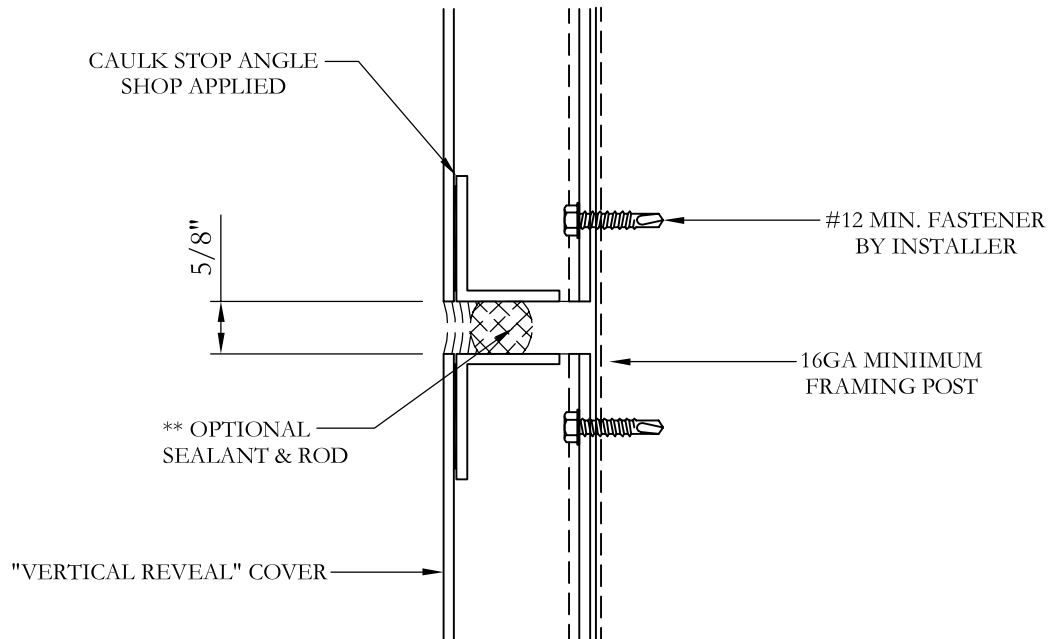
B) REVEAL SPRING RING

# 6) Adjustable Ceiling Options

(NOT RECOMMENDED FOR LAY-IN CEILINGS AND EXTERIOR CONSTRUCTION)



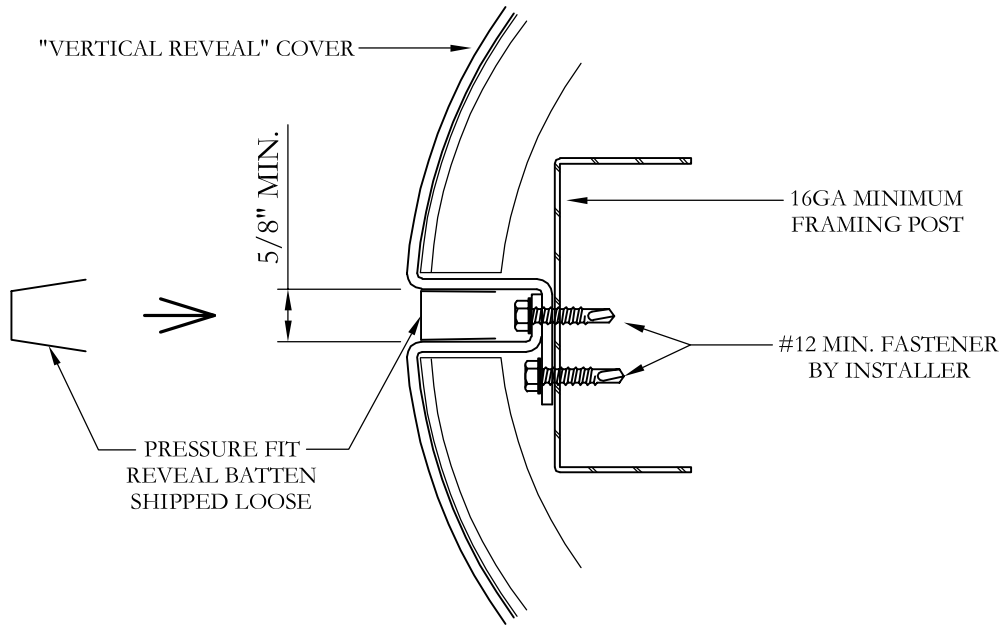
A) HORIZ. BUTT SPLICE



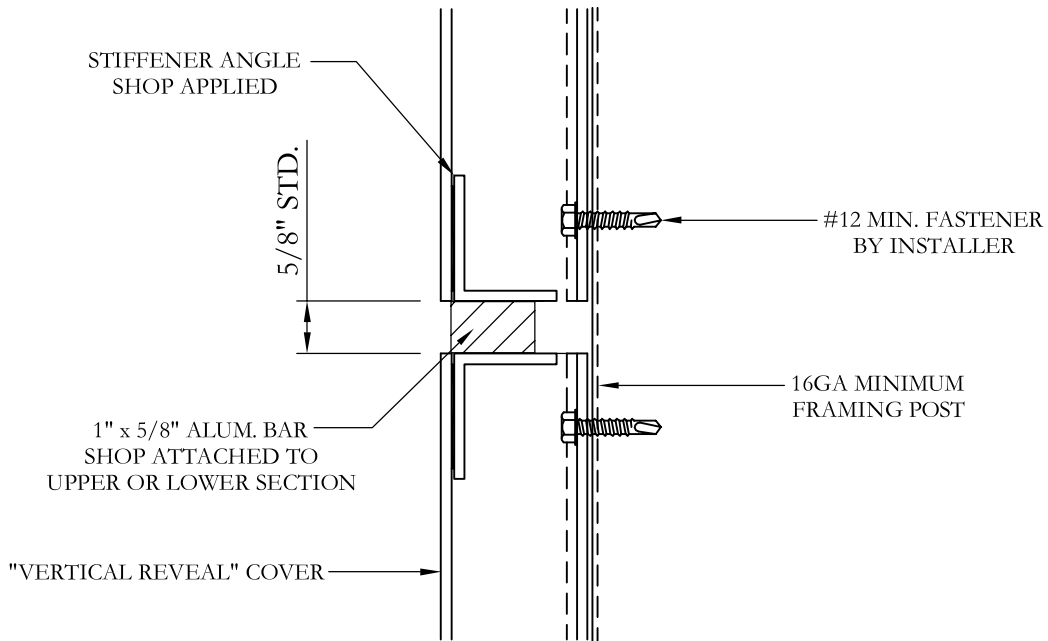
B) HORIZONTAL REVEAL

7) Stacking Options





A) VERTICAL REVEAL



B) HORIZONTAL REVEAL

# 8) Batten Options