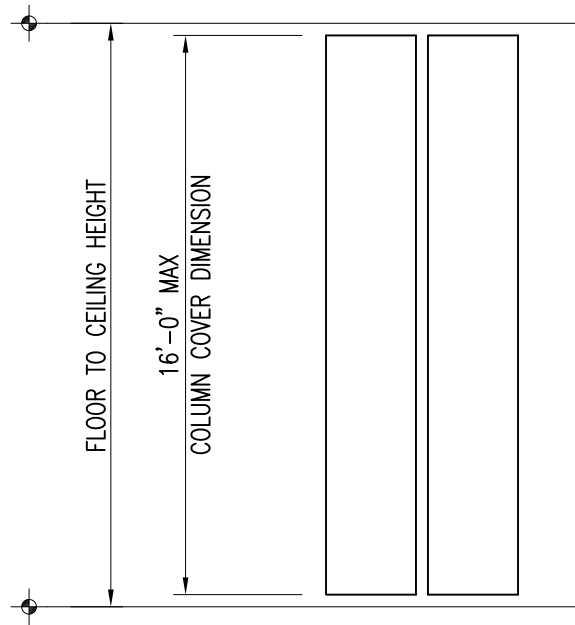
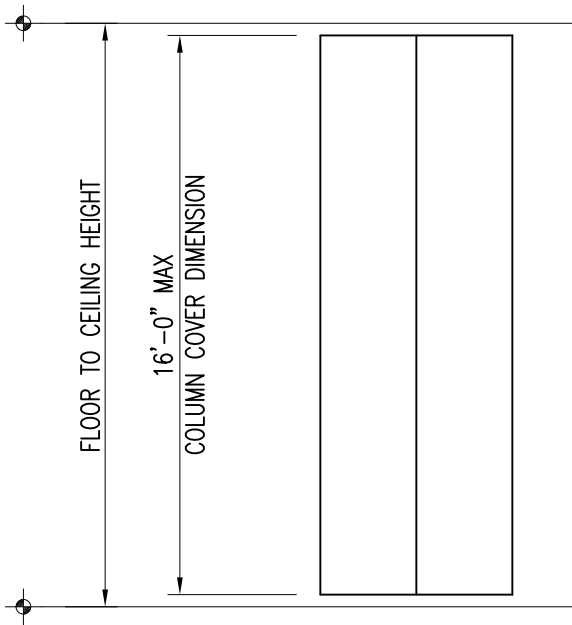
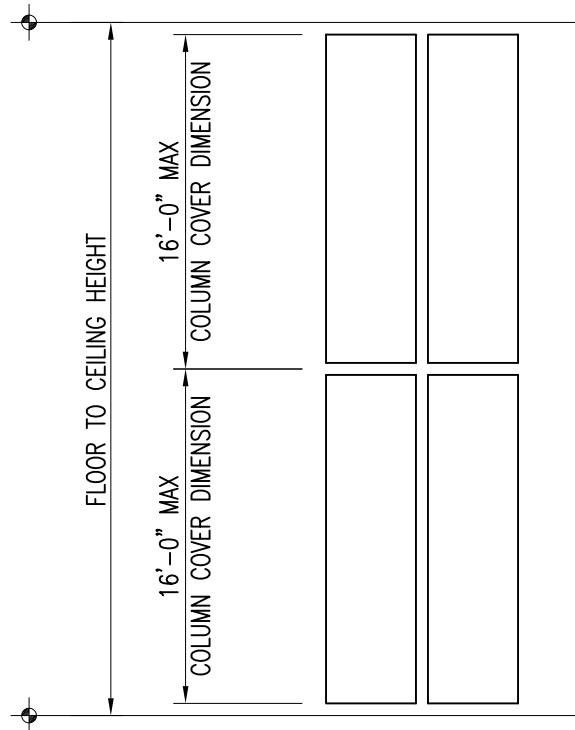
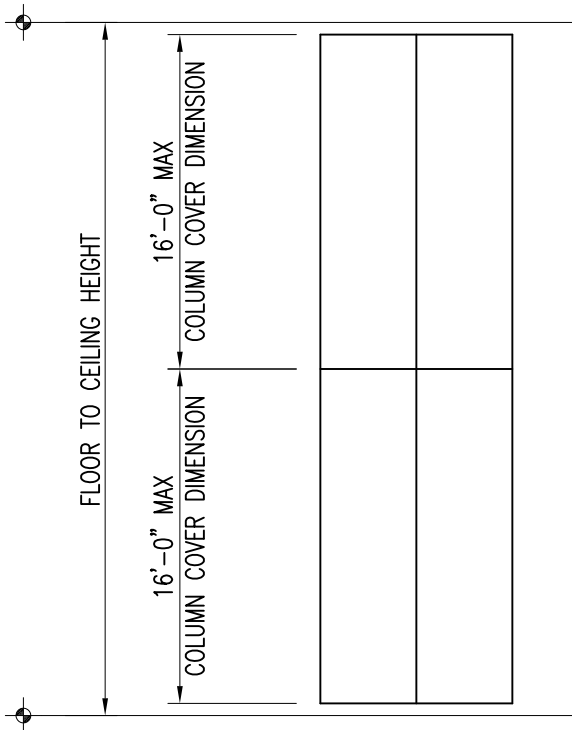


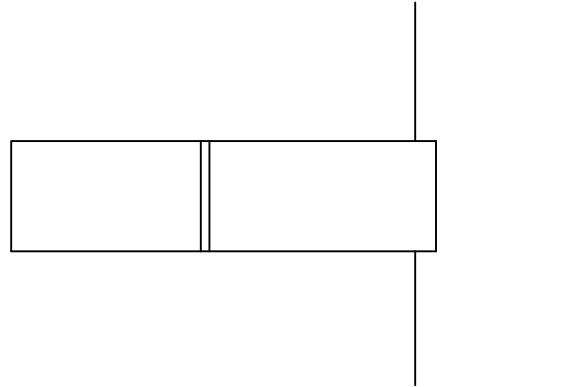
# Column and Beam Cladding



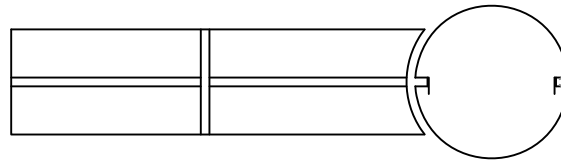
SINGLE SPAN COLUMN COVERS



MUTIPLE SPAN COLUMN COVERS



SIDE VIEW



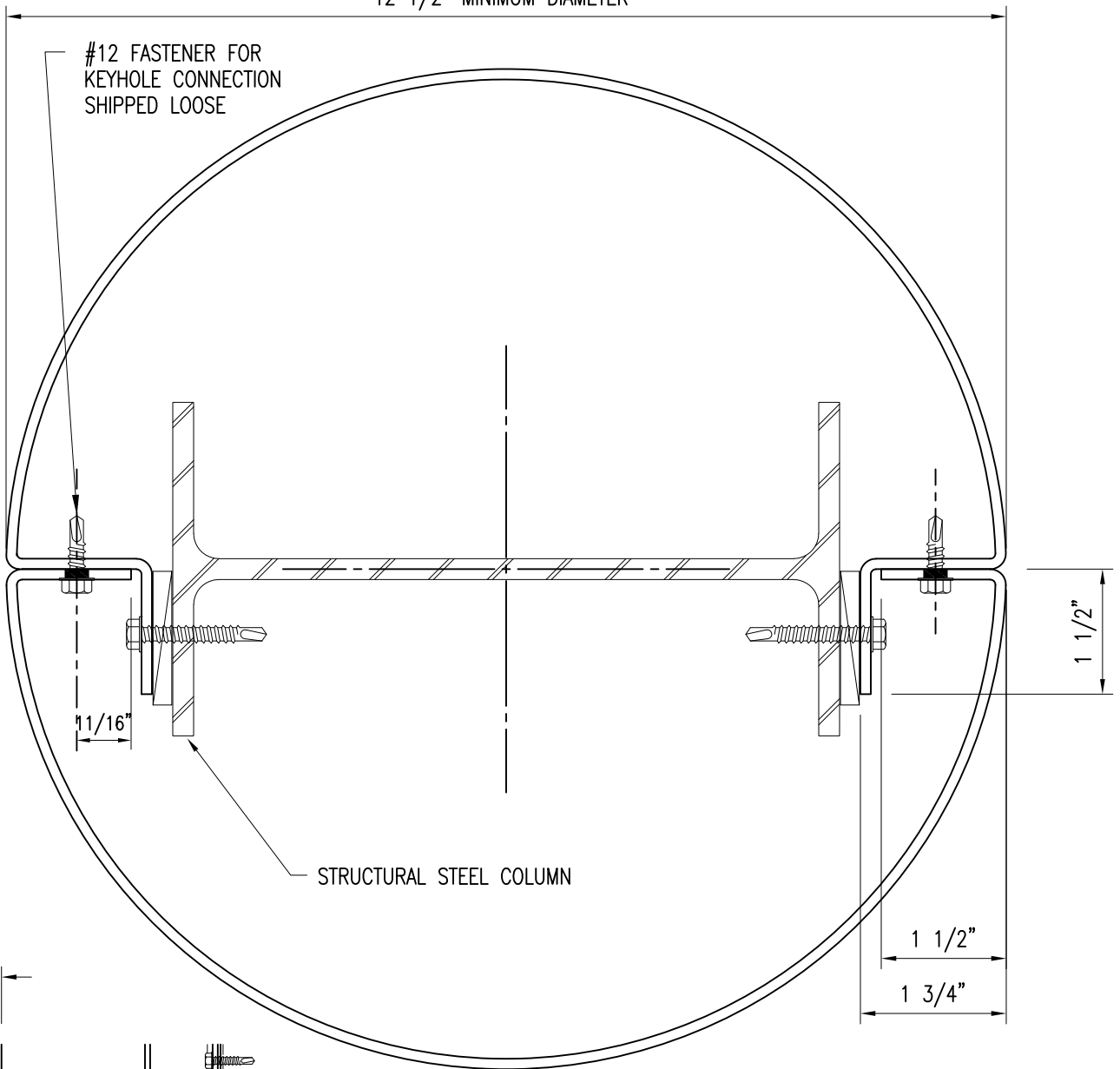
PLAN VIEW

## Beam Wraps

## Table of Contents:

DETAIL	DESCRIPTION
1	Vertical Butt Joint Connection w/ Key Hole
2	Vertical Butt Joint Connection w/ Key Hole for Square Column Enclosure
3	Vertical Joint Reveal w/ Caulk
4	Optional Vertical Joint Reveal w/ Batten
5	Framing Options
6	Standard Head and Base
7	Optional Head and Base Reveal
8	Optional Adjustable Spring Ring at Column Cover Head
9	Optional Reveals at Sealed Column Covers
10	Optional Head
11	Standard Horizontal Joint
12	Optional Horizontal Joint
13	Standard Beam Wrap
14	Optional Column Cover and Beam Wrap Profiles

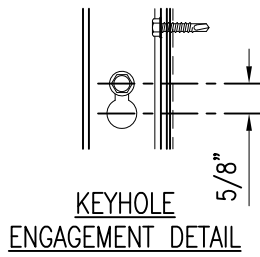
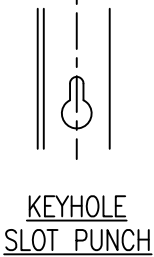
12 1/2" MINIMUM DIAMETER\*



#12 FASTENER FOR KEYHOLE CONNECTION SHIPPED LOOSE

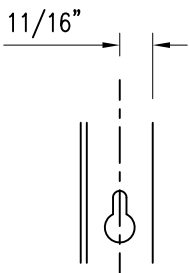
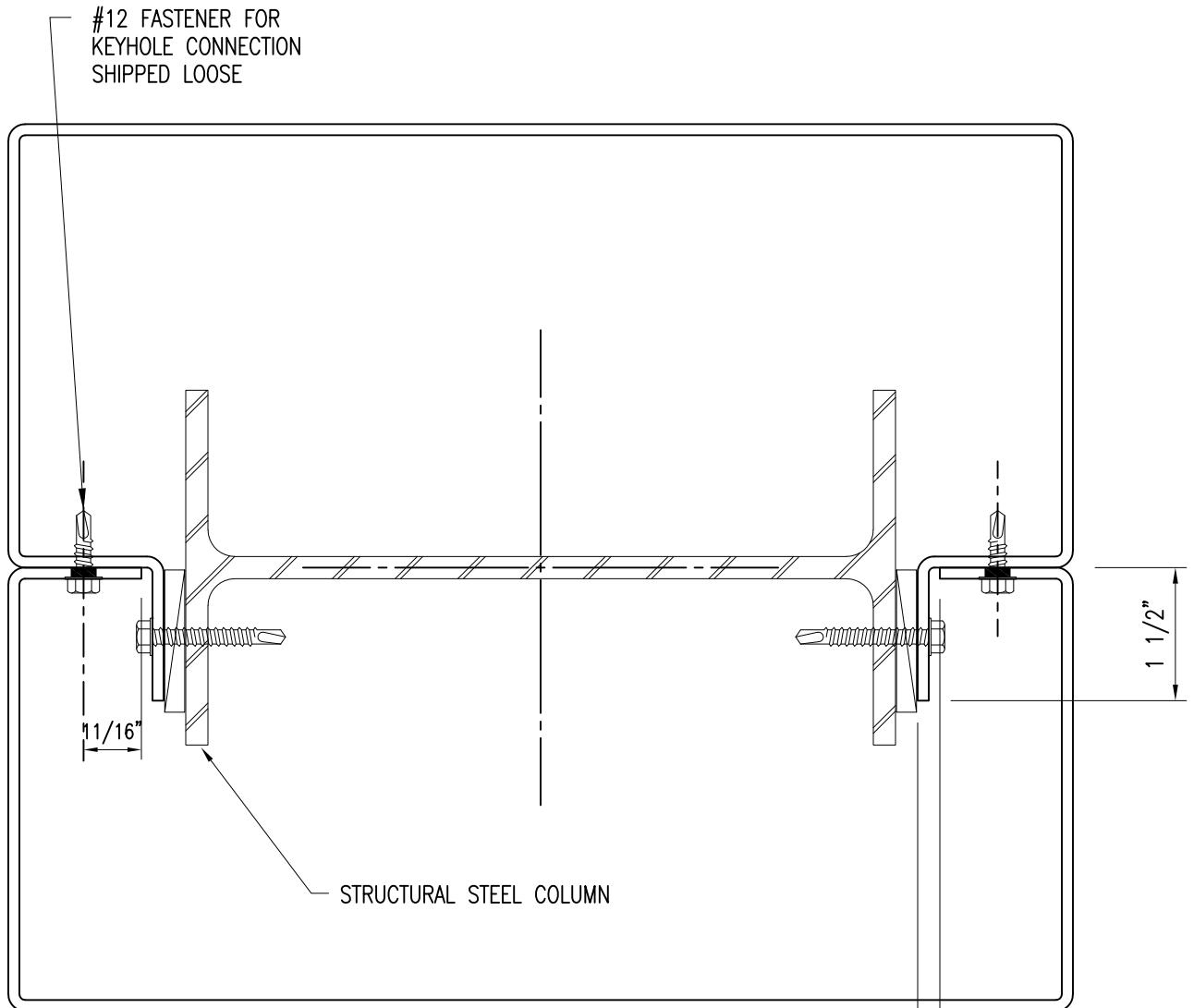
STRUCTURAL STEEL COLUMN

11/16"

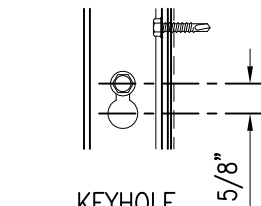


\*FOR DIAMETERS SMALLER THAN 12 1/2", PLEASE CONSULT METALWERKS

## 1) Vertical Butt Joint Connection w/ Key Hole

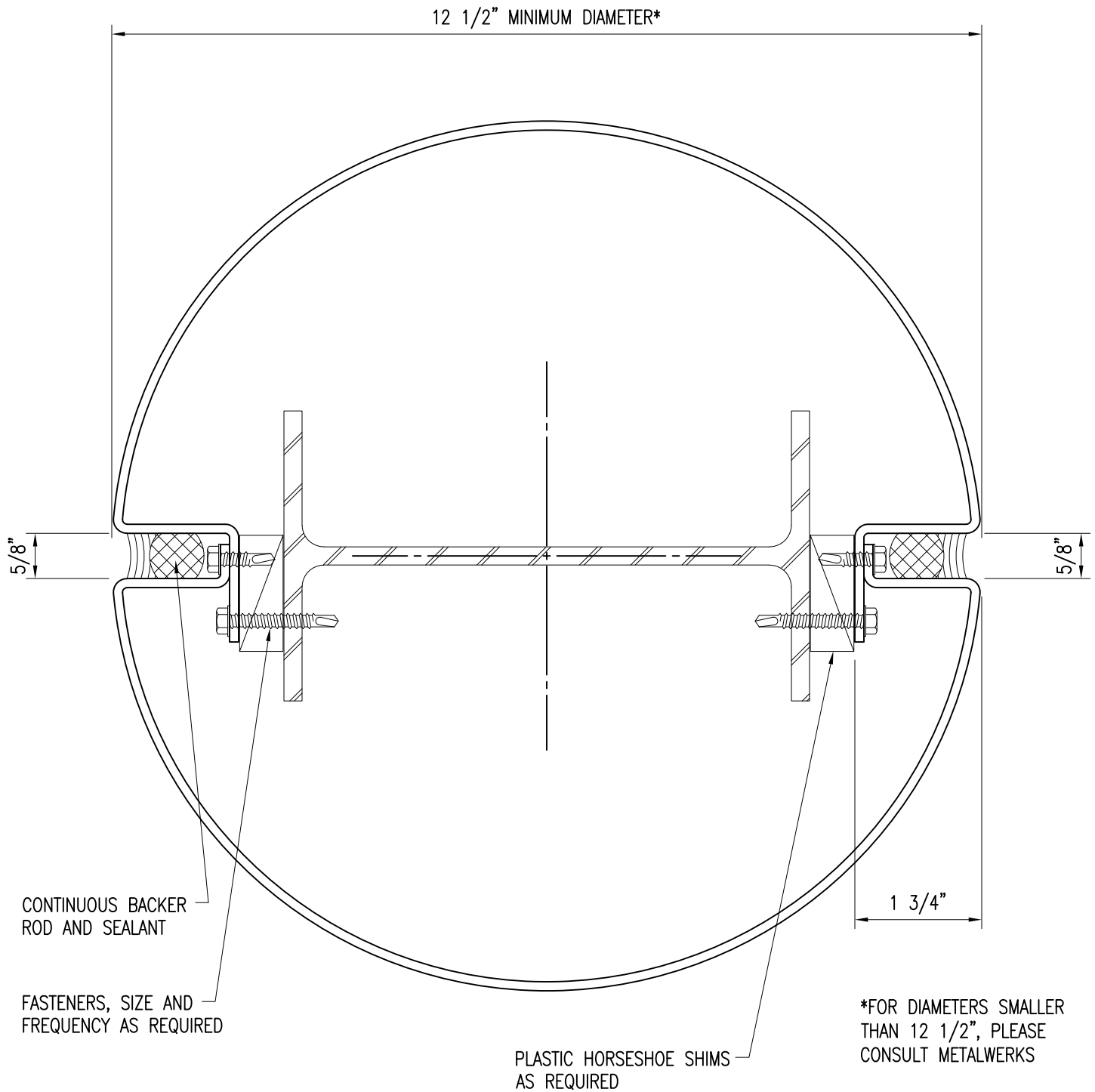


KEYHOLE  
SLOT PUNCH

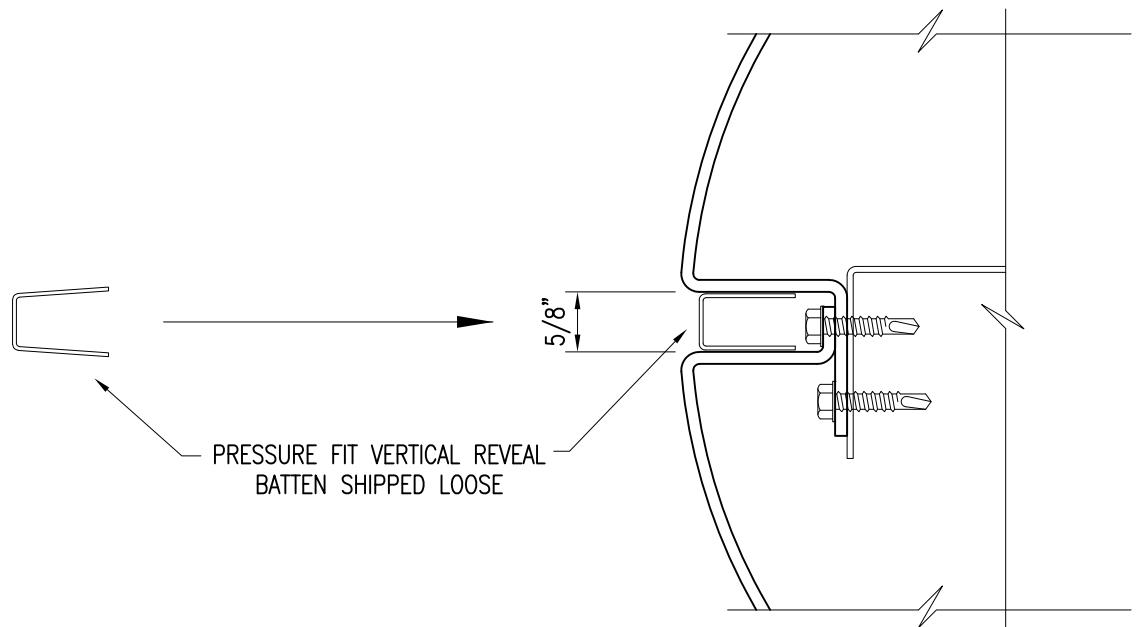


KEYHOLE  
ENGAGEMENT DETAIL

## 2) Vertical Butt Joint Connection w/ Key Hole for Square Column Enclosure

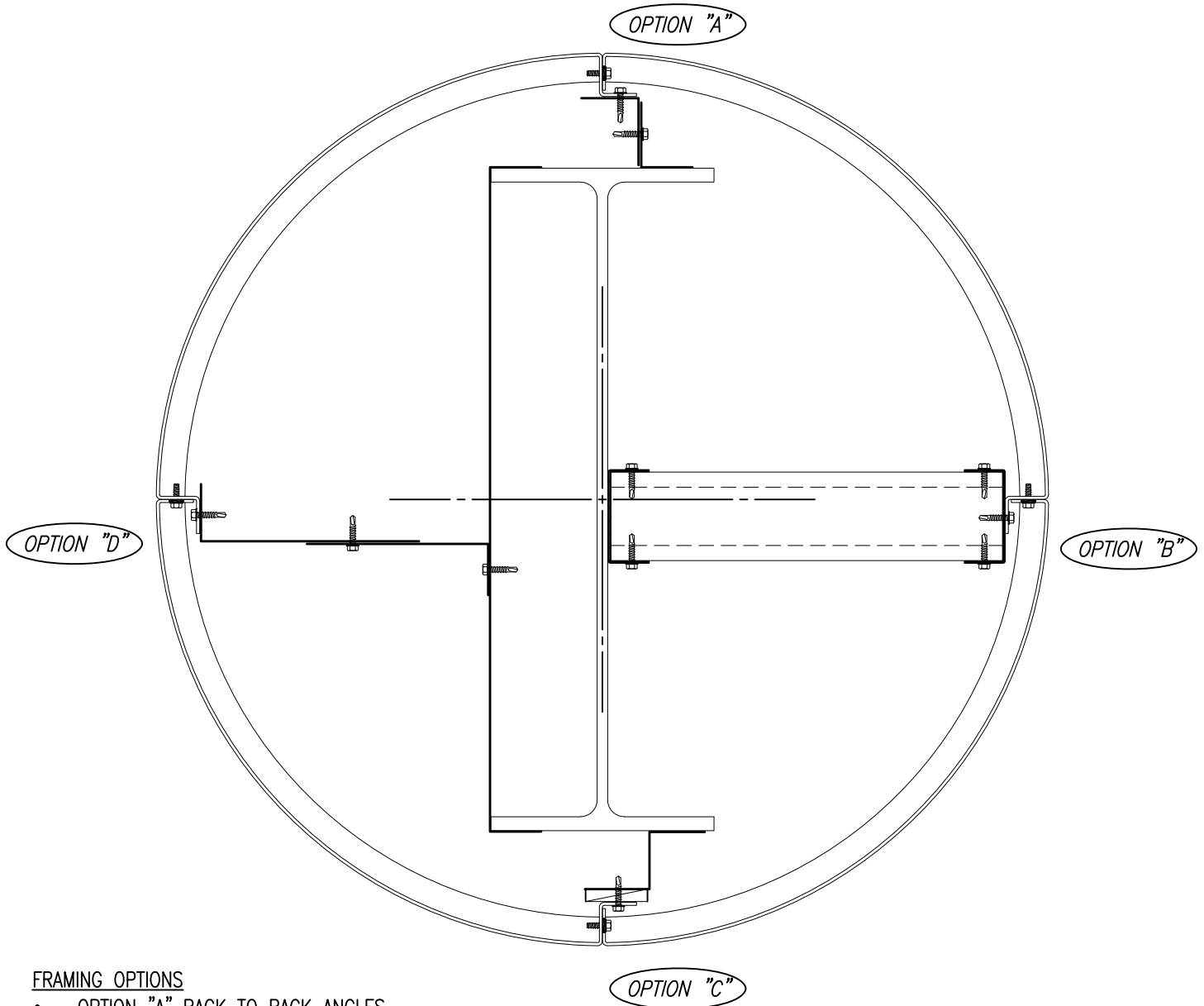


## 3) Vertical Joint Reveal w/ Caulk



VERTICAL REVEAL JOINT DETAIL  
WITH BATTEN

## 4) Optional Vertical Joint Reveal w/ Batten



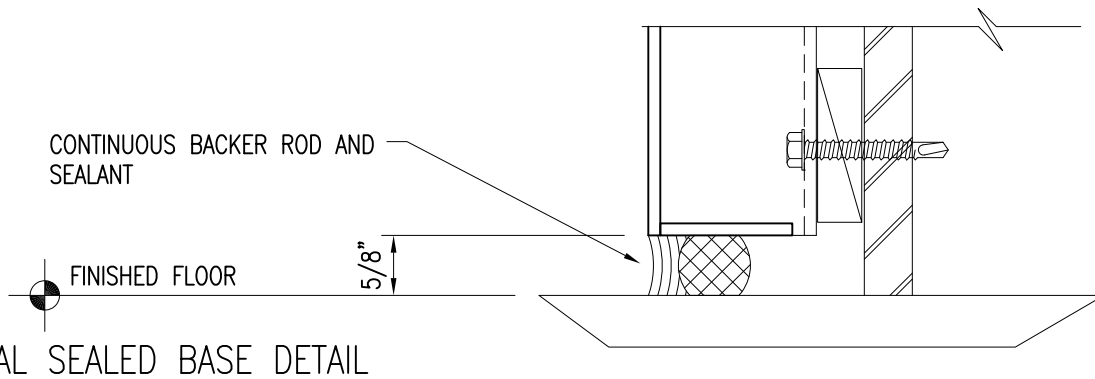
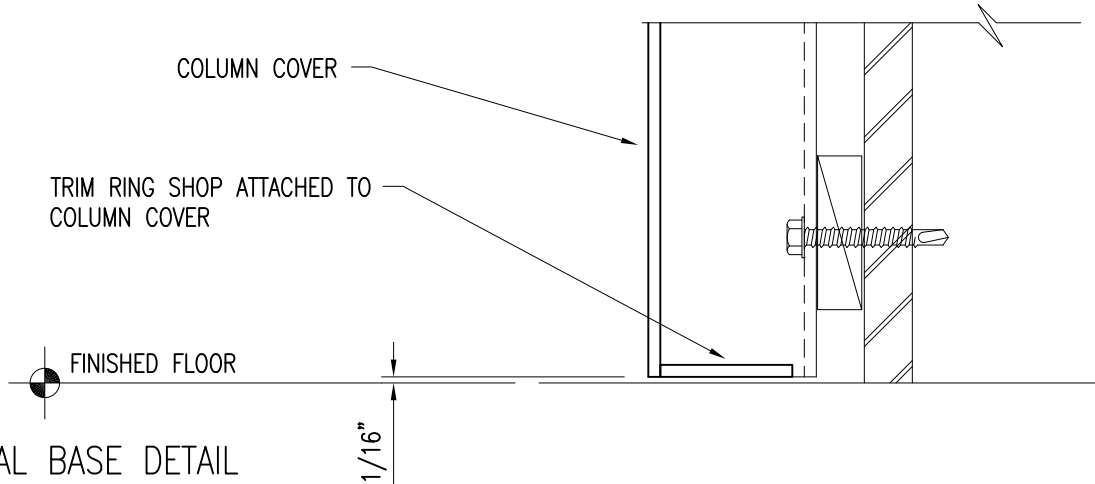
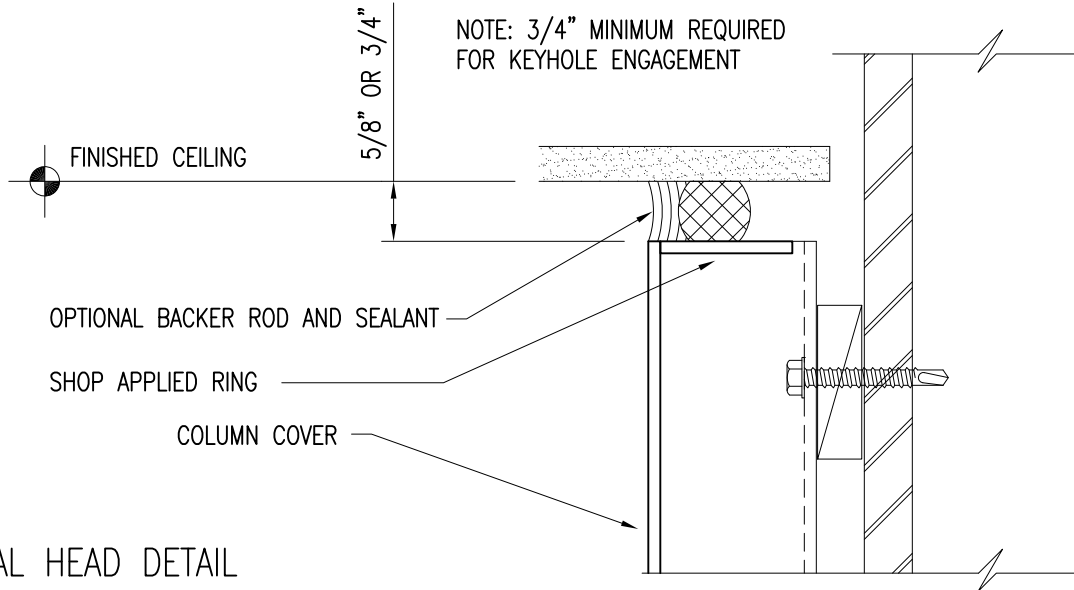
**FRAMING OPTIONS**

- OPTION "A" BACK TO BACK ANGLES
- OPTION "B" BUILT UP STUD FRAMING
- OPTION "C" CONTINUOUS "ZEE" AND SHIMS
- OPTION "D" CLIP ANGLES SPACED AS REQUIRED

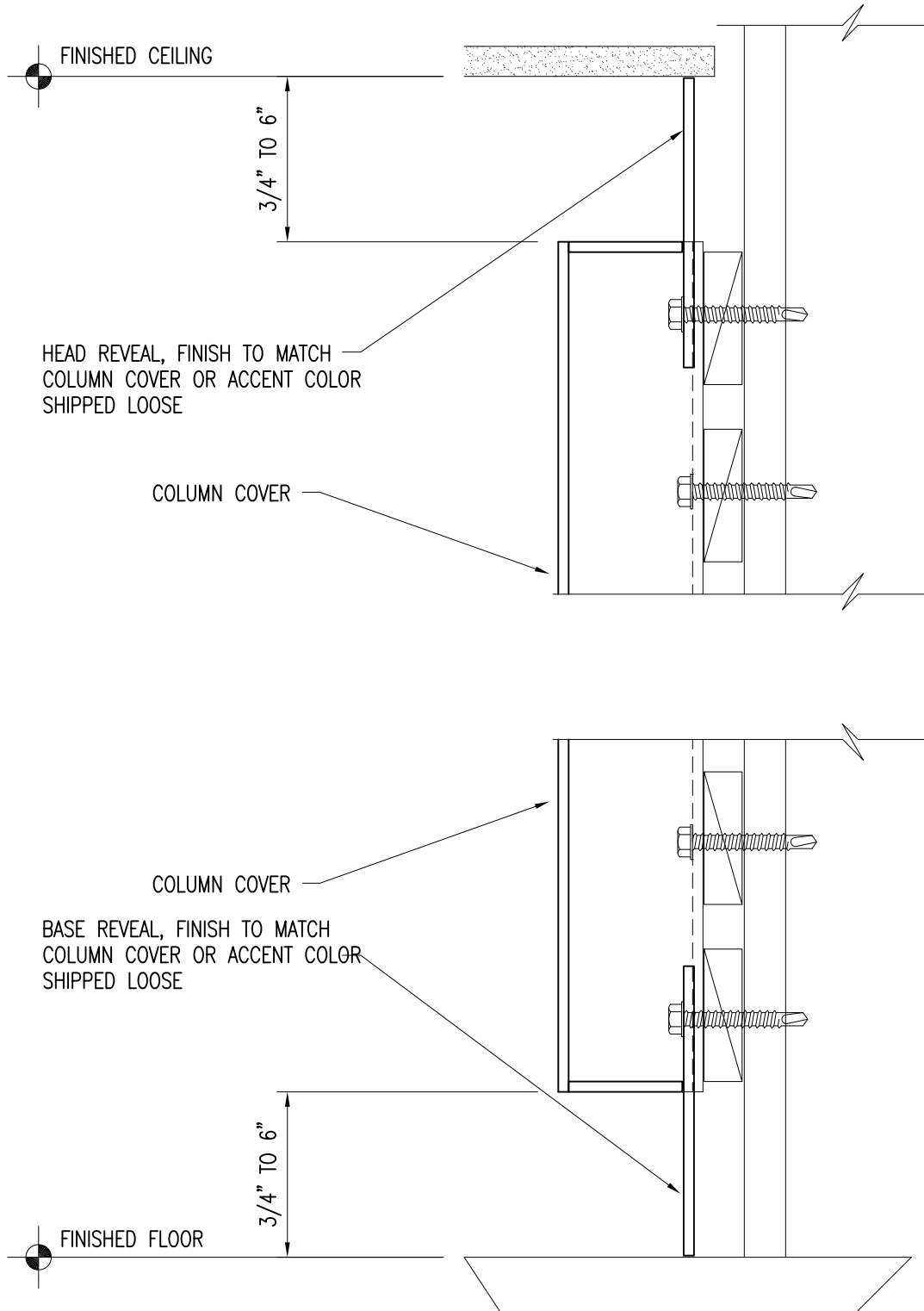
INSTALLATION NOTE:  
FIELD ATTACH FRAMING WITH FASTENERS, SHOT & PIN, OR WELD. TO BE DETERMINED  
BASED ON LOAD AND SPEC REQUIREMENTS.  
FRAMING METHODS CAN BE APPLIED TO ALL VERTICAL JOINT DETAILS.

## 5) Framing Options

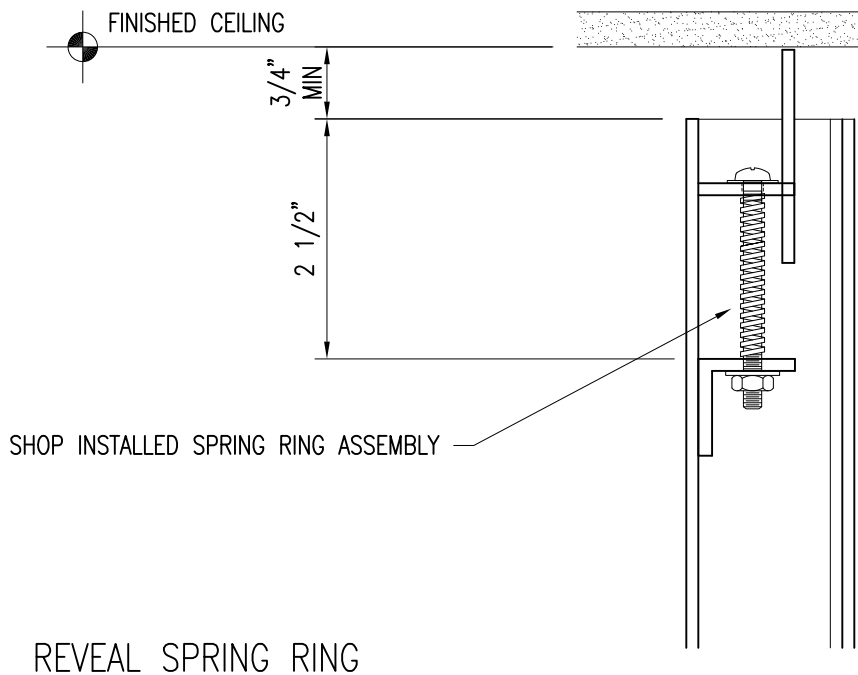
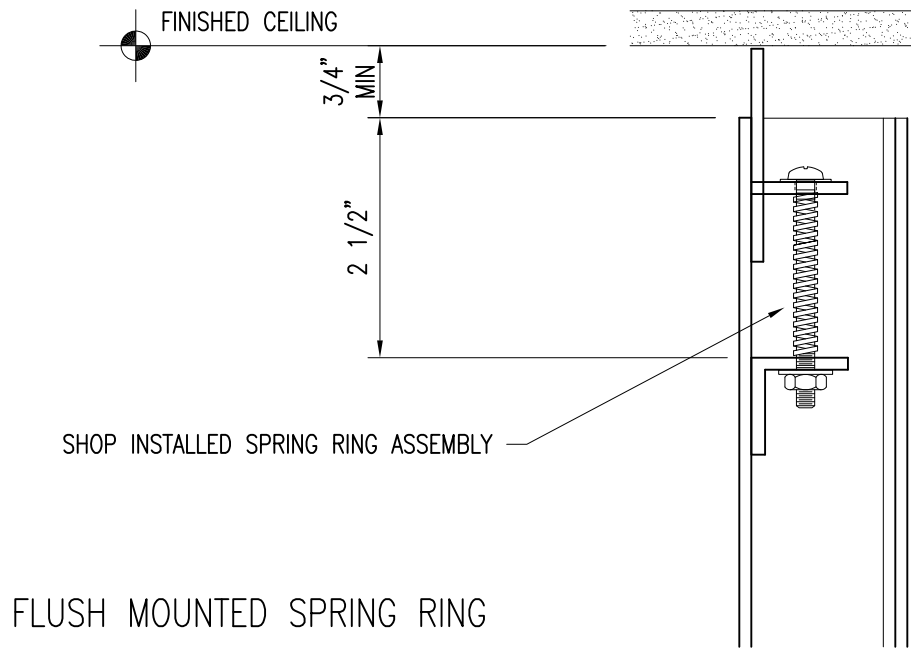




## 6) Standard Head and Base

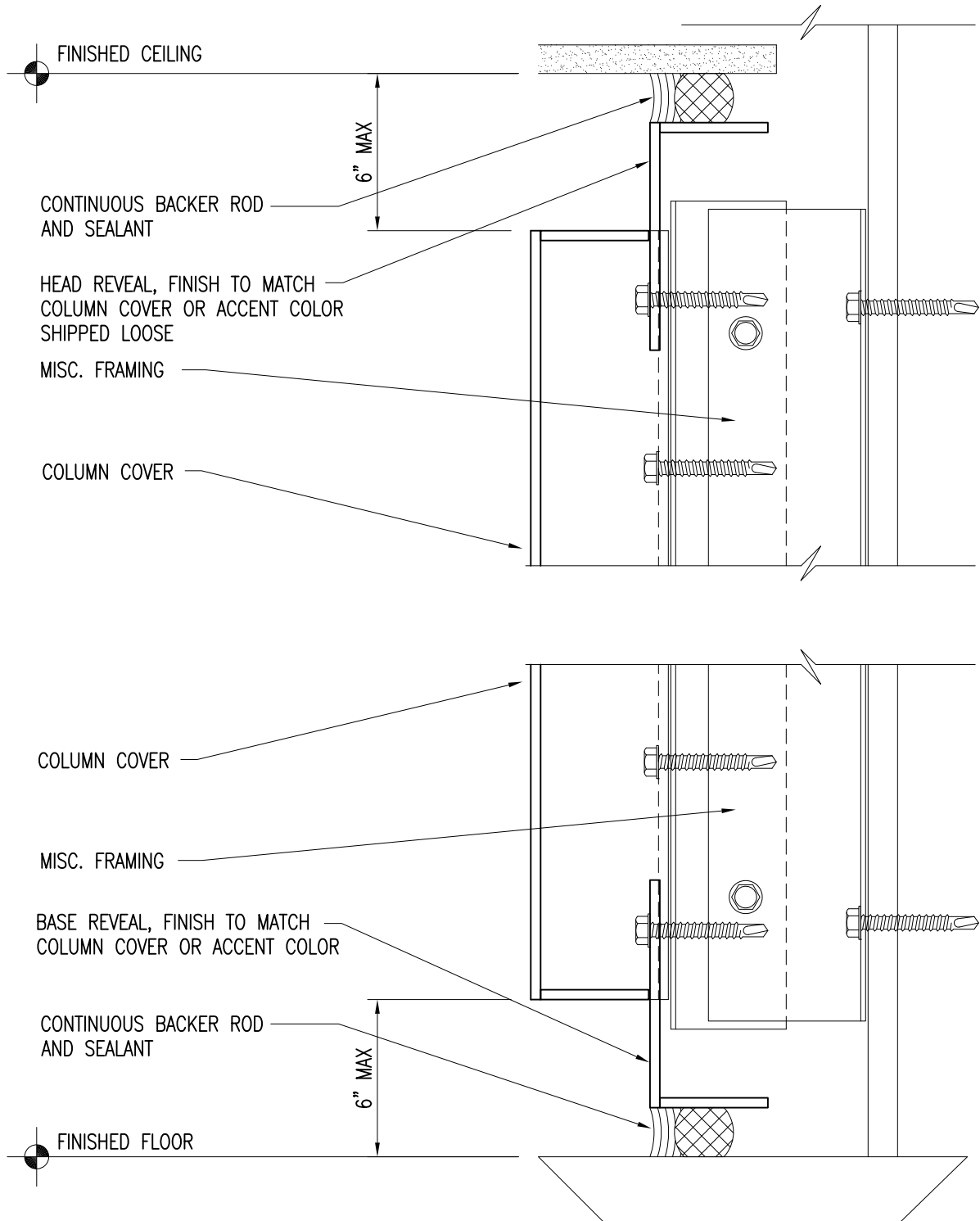


## 7) Optional Head and Base Reveal

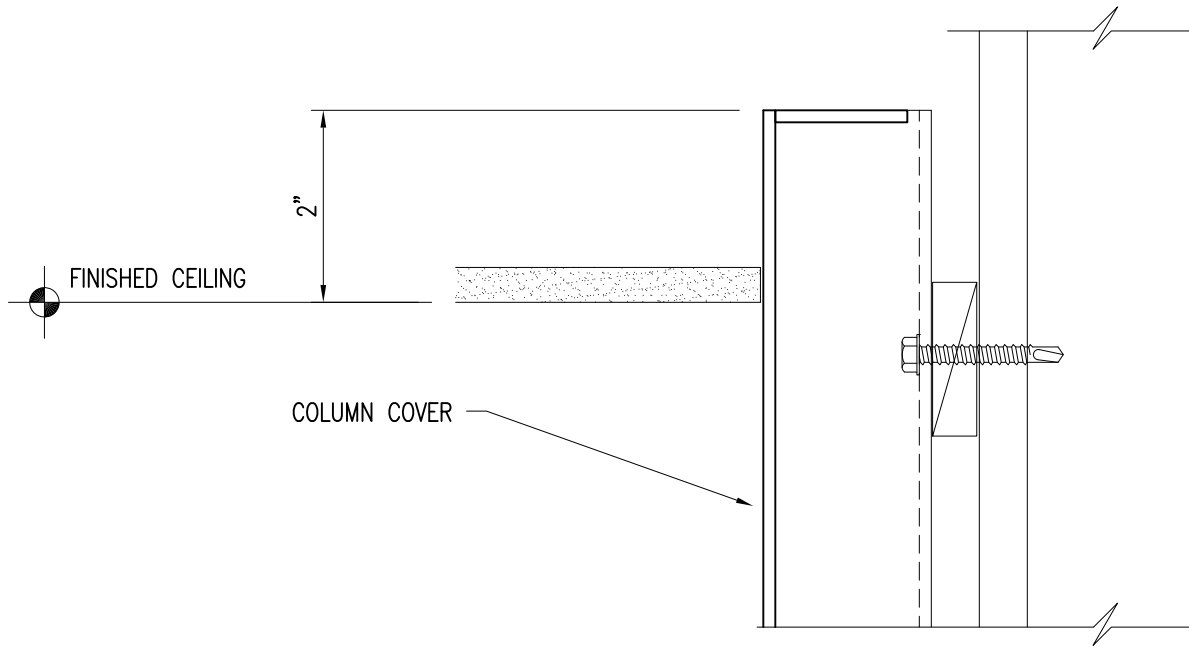


SPRING RING DETAILS NOT  
RECOMENDED FOR EXTERNAL USE

## 8) Optional Adjustable Spring Ring at Column Cover Head

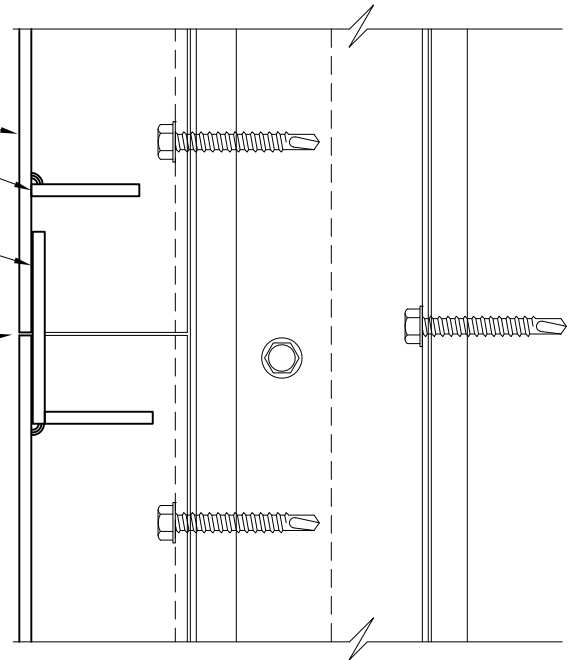


## 9) Optional Reveals at Sealed Column Covers



## 10) Optional Head

COLUMN COVER  
 STIFFENER RING SHOP ATTACHED TO COLUMN COVER  
 SPLICE PLATE SHOP ATTACHED TO COLUMN COVER  
 HAIRLINE JOINT

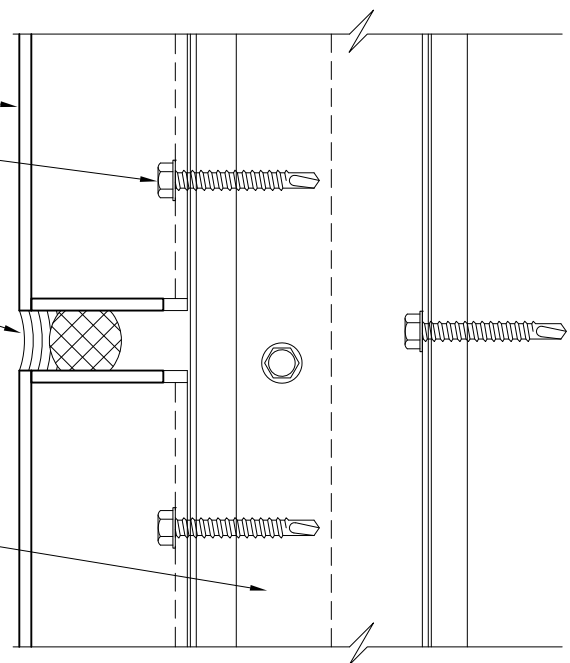


STANDARD JOINT FOR KEYHOLE SLOT CONNECTION

COLUMN COVER  
 #12 FASTENERS AS REQUIRED  
 CONTINUOUS BACKER ROD AND SEALANT

5/8"

MISC. FRAMING

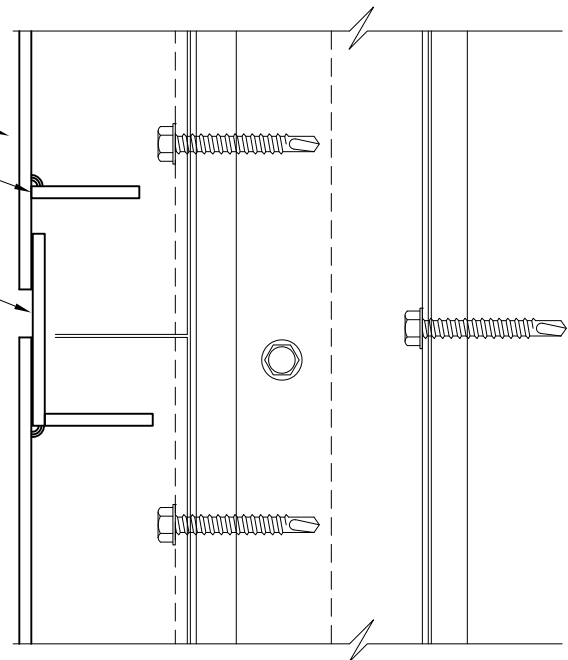


STANDARD JOINT FOR SEALED CONNECTION

## 11) Standard Horizontal Joint

COLUMN COVER  
STIFFENER RING SHOP ATTACHED TO COLUMN COVER  
REVEAL SHOP ATTACHED TO COLUMN COVER

1/2"  
STANDARD

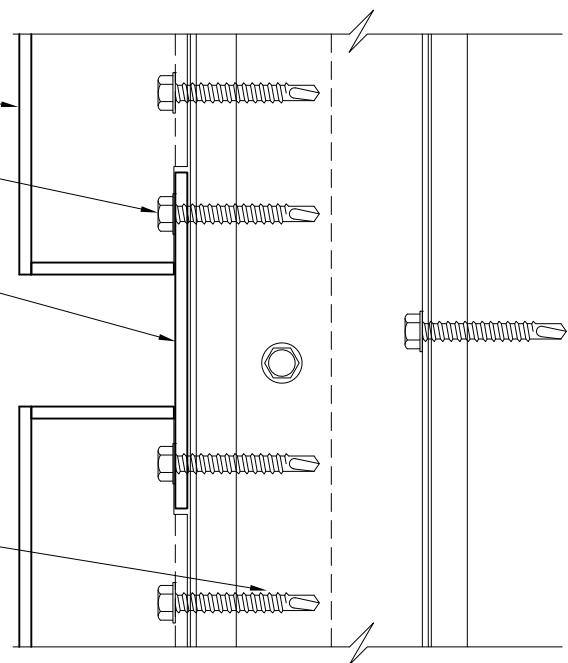


STANDARD JOINT FOR KEYHOLE SLOT CONNECTION

COLUMN COVER  
#12 FASTENERS AS REQUIRED  
REVEAL RING, FINISH TO MATCH COLUMN COVER OR ACCENT COLOR

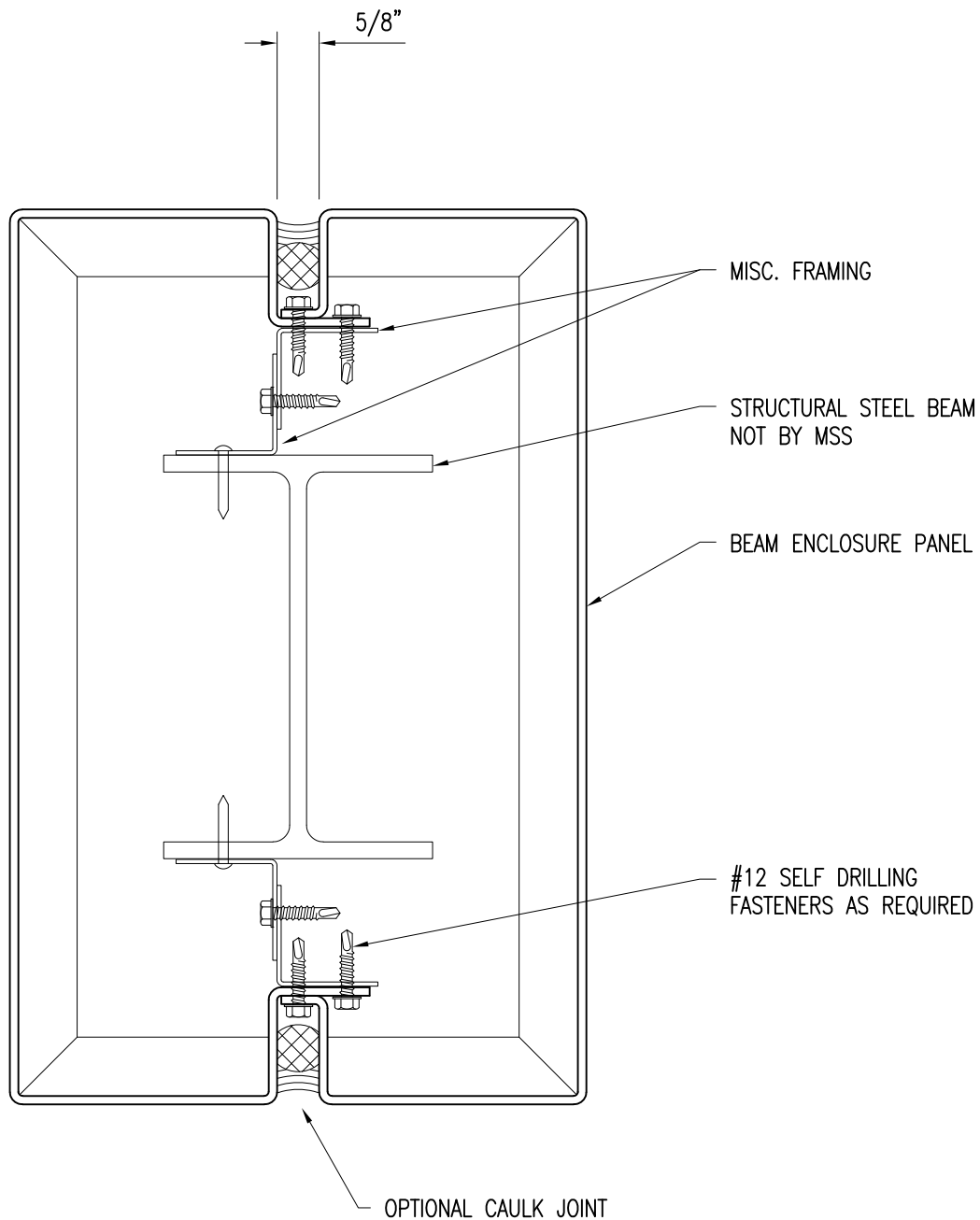
6" MAX

MISC. FRAMING



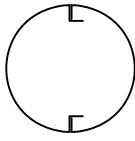
OPTIONAL REVEAL JOINT  
RECOMMENDED FOR INTERIOR USE ONLY

## 12) Optional Horizontal Joint

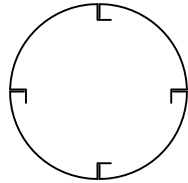


## 13) Standard Beam Wrap

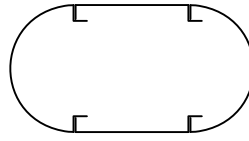




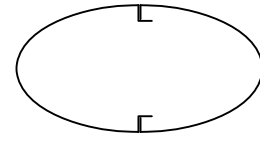
ROUND



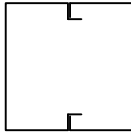
LARGE DIAMETER



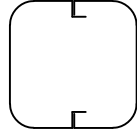
RACE TRACK



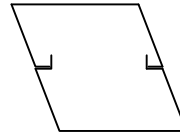
ELLIPTICAL



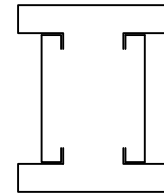
SQUARE



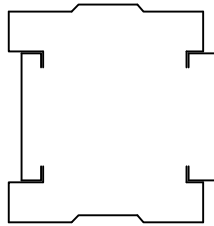
ROUND CORNERS



PARALLELOGRAM



"I" BEAM



CUSTOM

METALWERKS CAN PRODUCE COLUMN COVERS IN WIDE ARRAY OF SHAPES AND SIZES. PLEASE CONTACT METALWERKS FOR MORE INFORMATION.

## 14) Optional Column Cover and Beam Wrap Profiles